

OPEN FRAME RACK



AGER Open Frame Series Racks are racks for 19" equipment for desktop use, designed for environments such as recording studios, test labs, offices, etc.



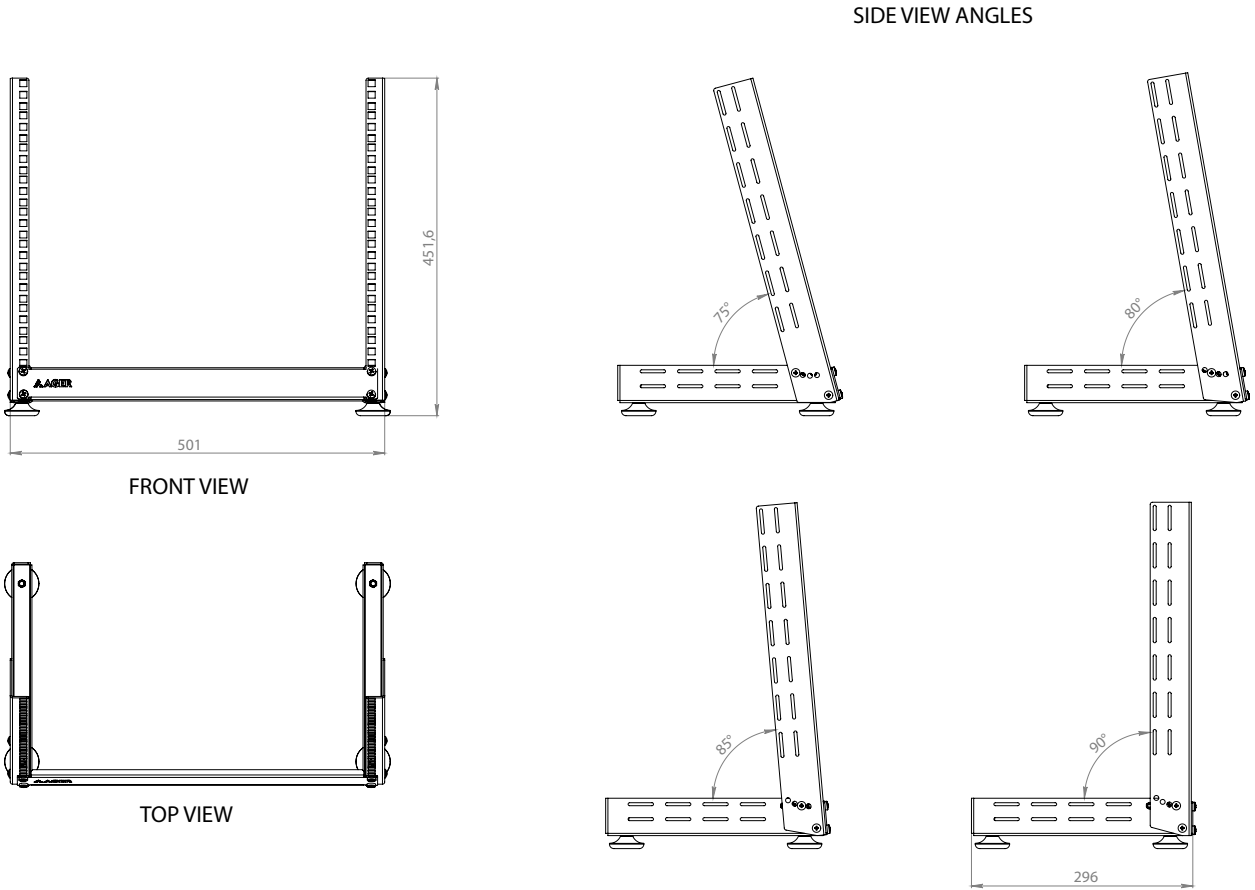
Color Options

RAL7035 Light Grey

RAL9005 Black



It provides flexible use by adjusting the angle of the mounting holes on the front and side profiles.



AGER OPEN FRAME RACK				
Product Code	Product Description	Width(w) (mm)	Depth (D) (mm)	Height(H) (mm)
AG-DF6U-A	AGER Open Frame Rack	501	296	301,3
AG-DF9U-A	AGER Open Frame Rack	501	296	451,6

XX = Colour Code, B1 White RAL 7035, S1 Black RAL 9005, during order please specify the colour choice.