



Tel : +90 222 236 91 78  
sales@ager.com.tr  
www.ager.com.tr



Width = 800 - Depth = 1200 - Height = 42U

DC cabinets are specially designed cabinets for the data center infrastructure with passive ventilation capacity and 1500 kg load-carrying capacity. Cabinets are designed with hot/cold corridors and related accessories. They have a depth of 1000/1100/1200 and a height of 42U/45U/47U. The completely square profile system provides the best performance high load capacity.



Width = 600 - Depth = 1200 - Height = 42U

DC cabinets provide professional ventilation and a suitable environment for servers and equipment. This product range is available with 600 and 800 widths and 42U/45U/47U heights. DC cabinets have an aesthetic appearance with their curved and 80% perforated front door structure, various front and rear door options are available according to your request. As for colour options, RAL 9005 Black and RAL 7035 Light Gray are used on the DC cabinets because these colours are most compatible with the surrounding.



## **Cabinet Structure**

The strength of the cabinet reaches the maximum level due to fixing of the DC series cabinets' 90-degree vertical profiles to the monoblock welded specially designed bottom chassis with steel screws. It is an ideal solution for your heavy equipment with a recommended loading capacity of up to 1500kg.

Cabinets can be mounted side by side. They are network and server cabinets suitable for office, system room, data center and cabling systems installations. It is compatible with 19" network and server devices of all brands and models.

Because of removable side panels, front and rear doors, top and bottom covers, full access can be provided to the cabinet during installation, maintenance and repair. It has an internal volume that can meet the wiring needs of all devices and equipment to be used inside of the DC cabinets.

All features can be added or removed according to your needs. All of the panels and doors are lockable. All of them can be managed with the same key.

All front and rear doors of the same width can be easily replaced with each other because of the profile and frame system



## **Front Doors**

The standard front door model for DC cabinets is 80% perforated and curved.

Its 80% perforated structure provides maximum passive ventilation, while its double-sided full-length welded structure provides extra strength.

Its curved structure gives strength to the perforated area as well as its aesthetic appearance. At the same time, it is the most preferred front door model cause it provides the extra front distance to the inner equipment's front panels.

The swing handle lock mechanism provided a 4-point locking structure with the help of a lock and rod mechanism. This provides maximum security.

The front doors with a spring hinge system provide ease of installation and use, as they can be easily disassembled and attached without tools when needed.



## **Rear Door**

Standard rear doors of the server cabinets is a flat type, vertically split double opening with 80% perforation.

80% perforated structure of the rear door allow maximum passive ventilation.

The hinged structure of vertically split rear double doors allows you to open rear doors easily in narrow spaces and access to the cabinet.

The swing handle lock mechanism provides a 3-point locking structure with a lock and rod mechanism.

Standard rear doors with a spring hinge system provide ease of installation and use, as they can be disassembled and reassembled in seconds without tools.



## **Side Panels**

The standard side panel model for DC cabinets is a removable horizontally split double side panel.

Easily removable side panels have a cam lock.

Due to sliding snap latches, the side panels can be stay attached to the cabinet when it is unlocked.

The horizontally split double side panels provide easy removal of the side panels during installation and maintenance.



### **Vertical Cable Organizer**

Vertical Cable Organizer provides a cost-effective solution for organizing, managing and protecting network cables in telecommunication rooms and data centres. Cable organizers' fingers simplify cable routing during installation and maintenance.

Bend radius control helps protect cables from twists and mess and ensuring system performance and reliability.

### **Vertical Air Baffle Plates**

It separates the hot and cold air in the cabinet. This provides a cold area is created for cabinets.





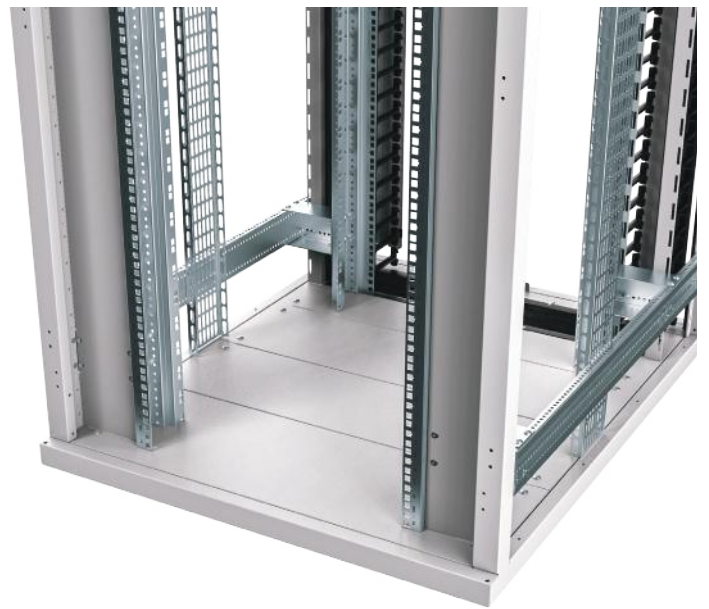


## Bottom Panels

All of the bottom panels are removable as blank panels. Removable bottom blank panels offer various cabling options to the user. Please contact the sales representative for different options.

## U Marking

U numbering is printed with serigraphy to the mounting rails of the cabinet which helps to index of the devices housed in the cabinet.



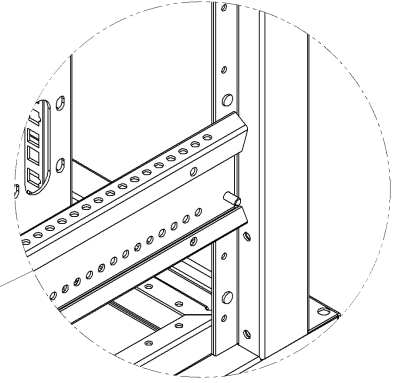
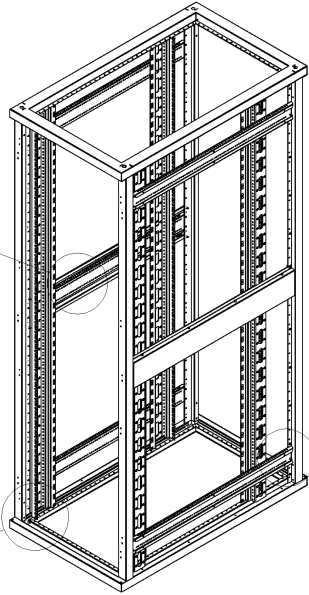
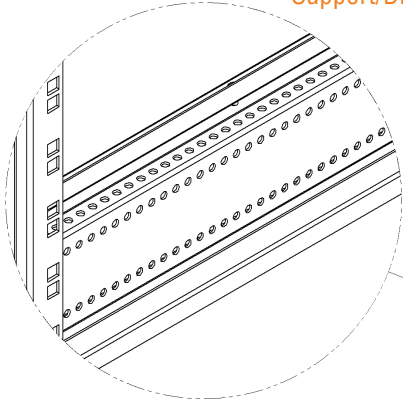
In Standard cabinets, there is 5 pcs 60\*316 mm cable entry on the top of the cabinet. In terms of any other request cable entry configuration can be changed.



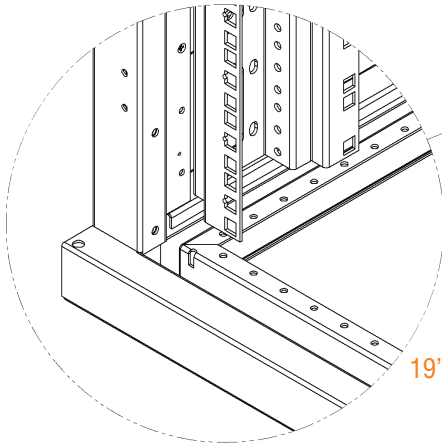
### **Side Horizontal Support**

Cabinets are supported by side horizontal support bar through depth and height directly proportional.

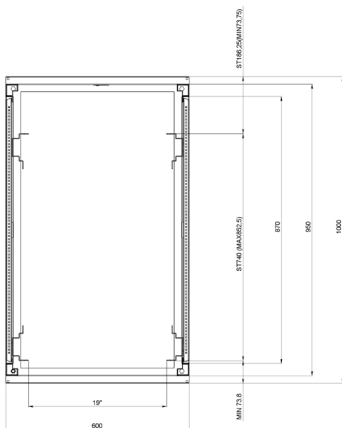
Side Horizontal Support/Divider Bar



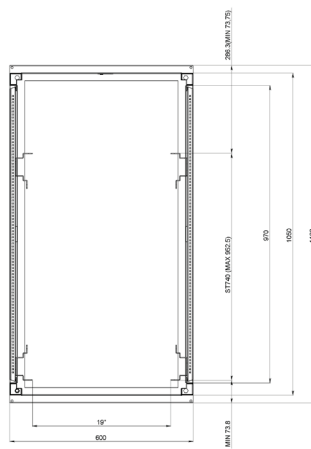
Side Horizontal Support Bar



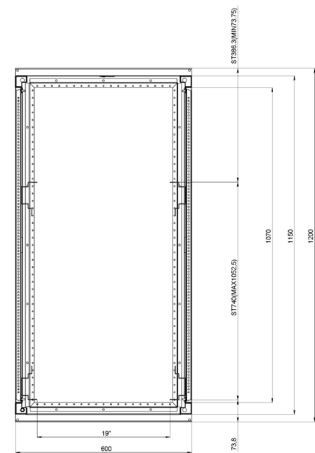
19" Mounting Rails



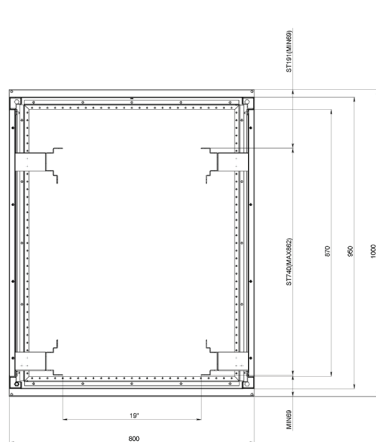
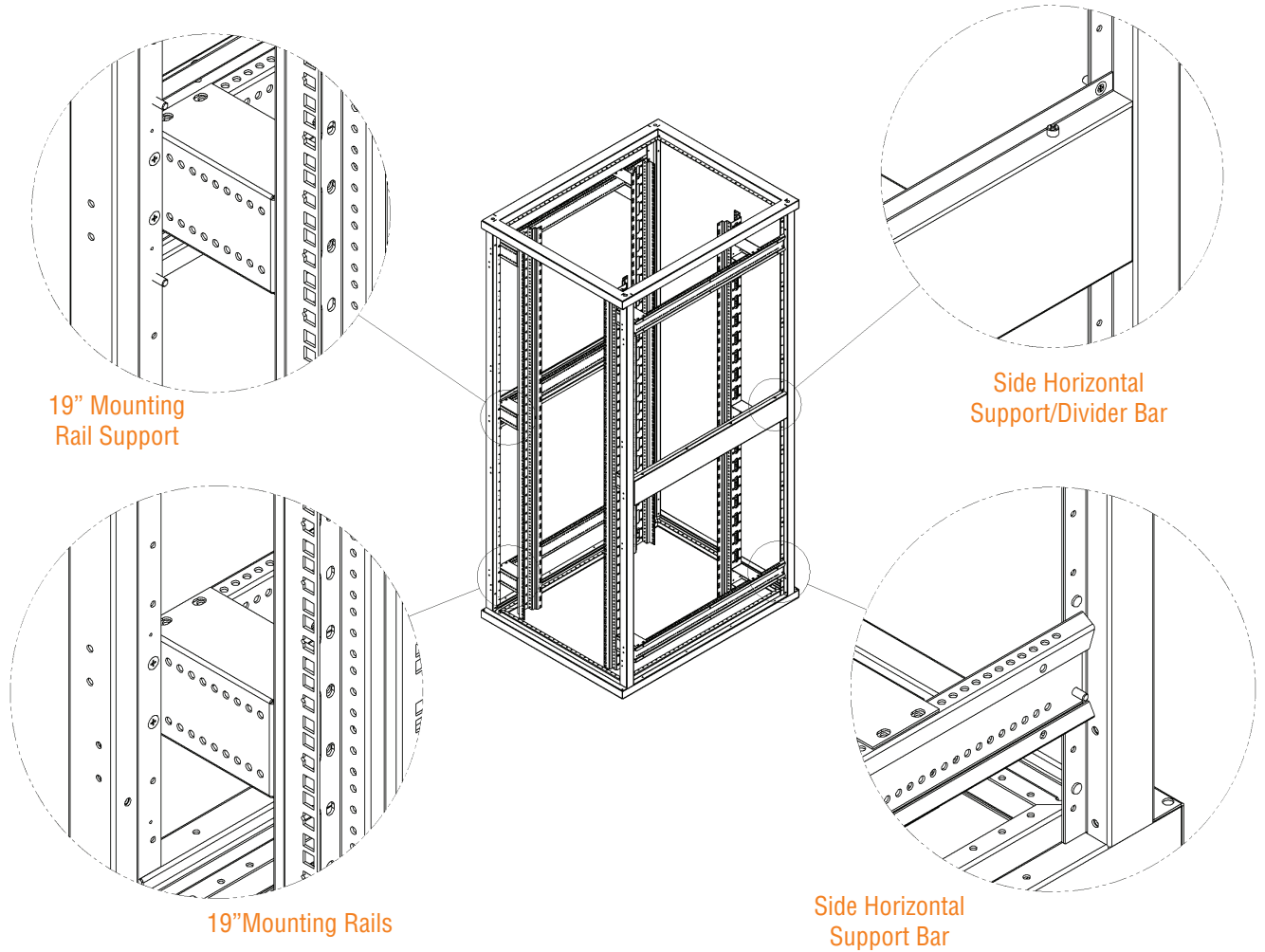
600x1000



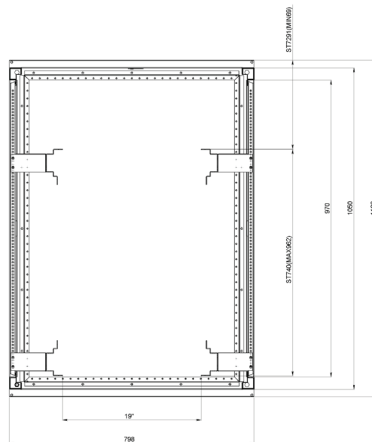
600x1100



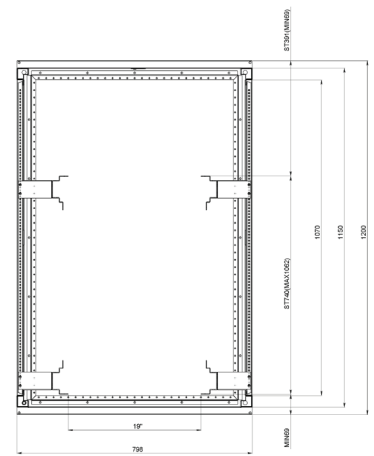
600x1200



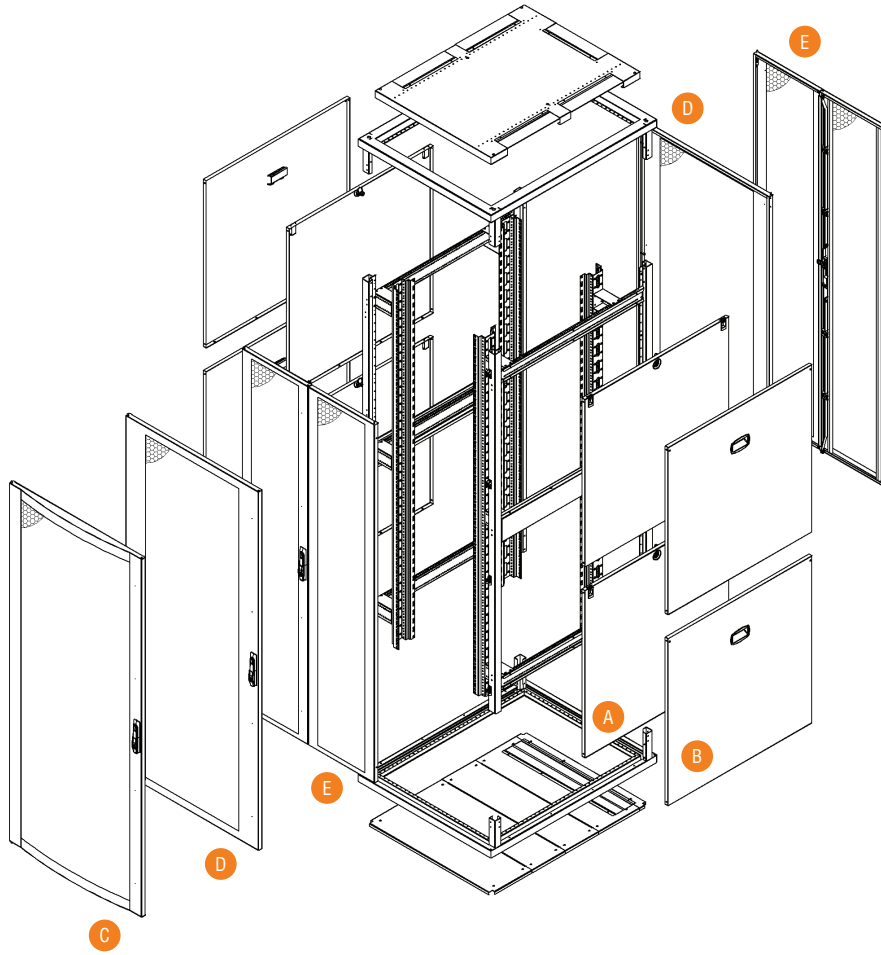
800x1000



800x1100



800x1200



AG	DC	42U	60	10	S1	C	E	A	A	A	M1
1	2	3	4	5	6	7	8	9	10	11	12

1. Company product coding system's initial character is AG that stands for AGER.

2. Product Series Code. DC free standing cabinets.

3. Numeric Character defining the height of the cabinet. Depending on model differences, between 42 to 47 height variety available. U Height Alfanumeric Notation is fixed, not editable. 1U is 44.45mm.

4. The First two Digits of the width information. 60 for W=600 cabinets, 80 for W:800mm cabinets.

5. The First two Digits of the depth information, 10 for D:1000mm cabinets, 11 for D:1100mm cabinets, 12 for D:1200mm cabinets

6. Colour Codes. B1 for Light Gray RAL 7035 and S1 for Black RAL 9005.

7. Front door variation number.\*

8. Rear door variation number\*

9. Right Side Panel variation number.\*

10. Left Side Panel variation number.\*

11. Version information. A- Standart version. The version is changed alphabetically when any alteration made to the cabinet

12. Indicate how the cabinets' shipped. M1 for assembled and D1 for flat pack

Free Standing DC Series DOOR Options

**A** Single Opening, Flat Shaped,Solid Metal,Snap Locking and Single point Locking with Barrel Lock, Panel.

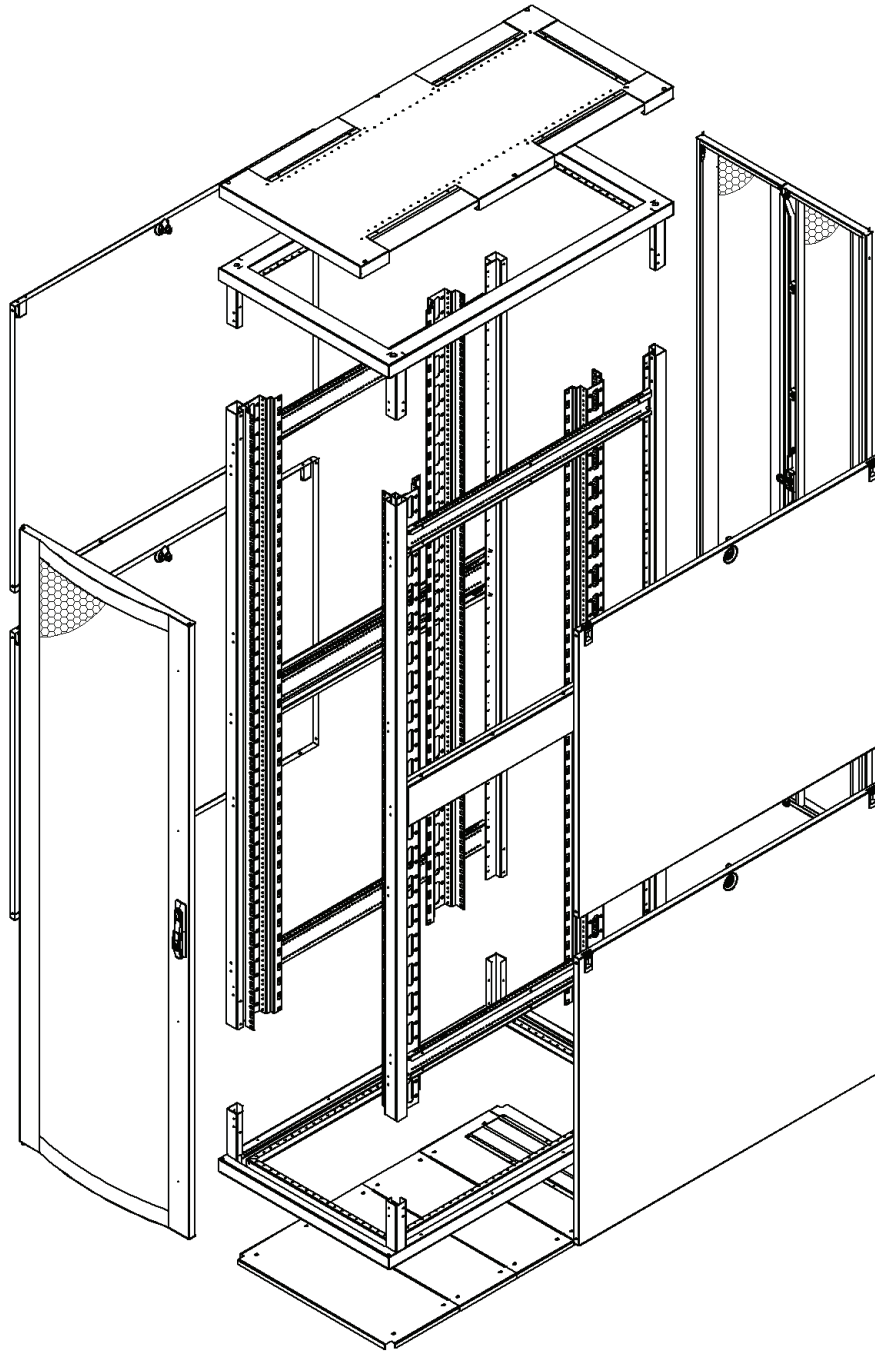
**B** Single Opening, Flat Shaped, Screwed Solid Metal Panel

**C** Single Opening, Curved, %80 Perforated Front Door, 4 Point Locking with Swing Handle

**D** Single Opening, Flat Shaped, %80 Perforated Front Door, 4 Point Locking with Swing Handle

**E** Double Opening, Flat Shaped, %80 Perforated Front Door, 3 Point Locking with Swing Handle

\* YOU CAN CHECK THE DOOR OPTIONS FOR DOOR AND PANEL VARITIONS..



### Material

- 1.5 mm DKP

### IP Classification

- As a standard IP20
- IP40 when solid metal panel applied for all access

### Color Options

- RAL9005 Black
- RAL7035 White

### Loading Capacity

- Recommended up to 1500 kg loading capacity

### Doors

- Door options are available.
- Front door 4 point locking system and Rear Door 3 point locking system
- Doors can be opened to 180 degree.
- Doors can be opened to left or right direction

### Mounting Rails

- 19" Mounting rails; adjustable in depth of the cabinet
- 1.5mm DX51D galvanic

### Side Panels

- Locking system is available, side panels are removable

### Bottom Sheet

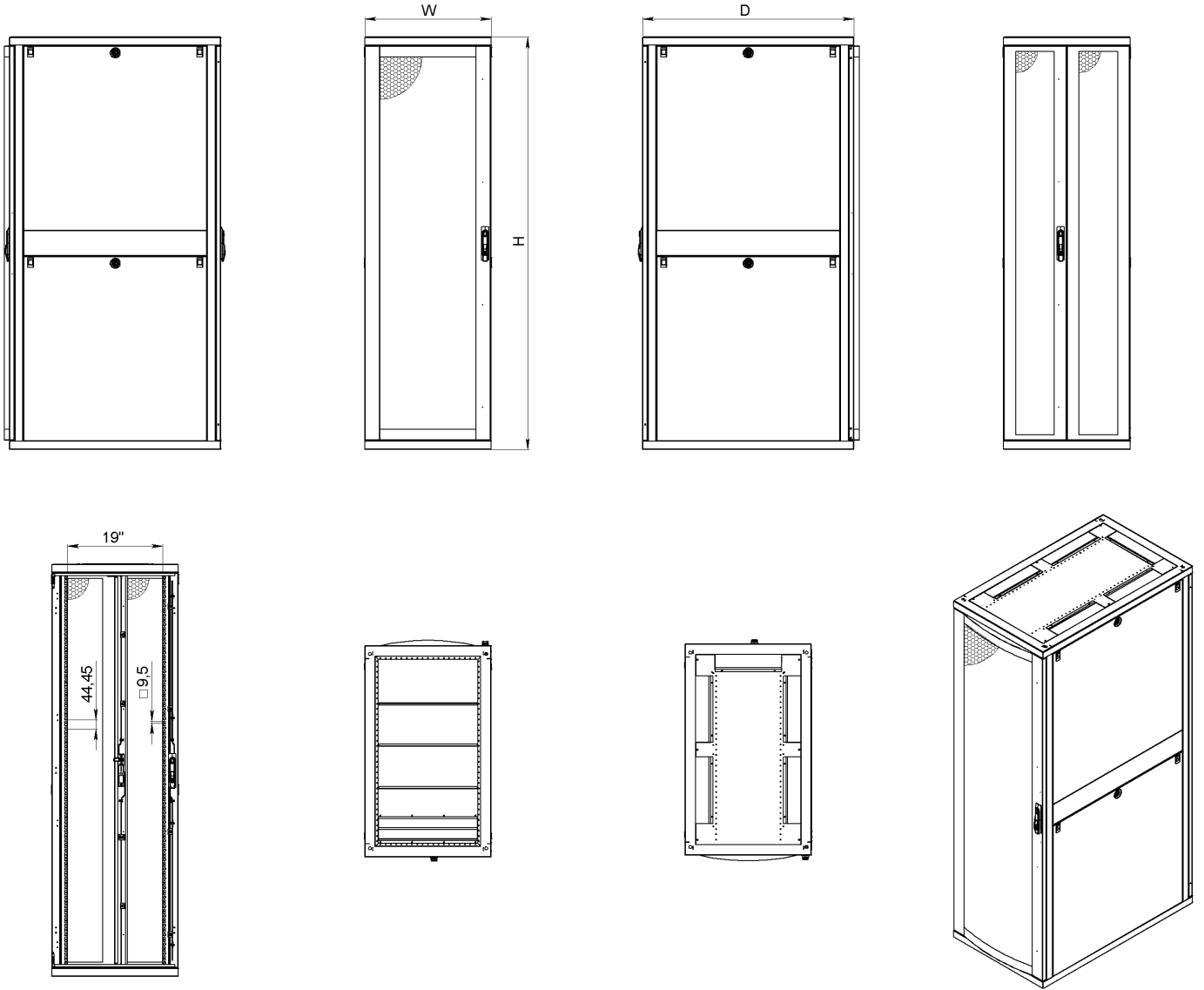
- It can be used completely open as well as detachable blank panels in standard configuration.

### Ground contact

- Caster and levelling feet options are available
- Plinth is available as an option.

### Top Sheet

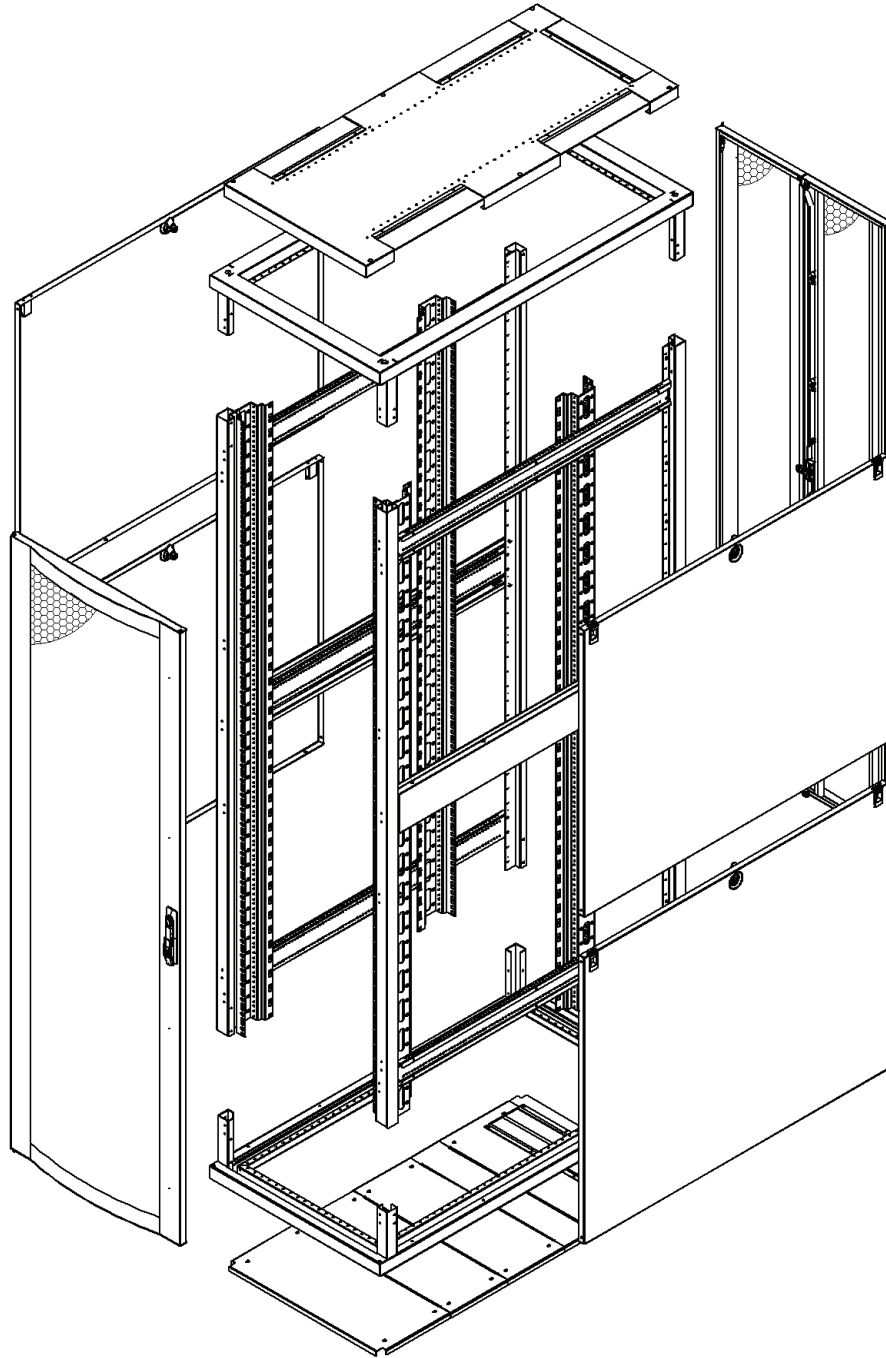
- Fan module is available as an option



19" Ager DC Cabinets W=600mm D=1000mm

Product Code	Product Description	Bay (U)	Width (W) (mm)	Depth (D) (mm)	Height (H) (mm)
AG-DC42U6010XX-0000-A-YY	42U 19" Ager DC Data Center Cabinet W=600mm D=1000mm	42U	600	600	1950
AG-DC45U6010XX-0000-A-YY	45U 19" Ager DC Data Center Cabinet W=600mm D=1000mm	45U	600	600	2.084
AG-DC47U6010XX-0000-A-YY	47U 19" Ager DC Data Center Cabinet W=600mm D=1000mm	47U	600	600	2.172

XX = Colour Code, B1 White RAL 7035, S1 Black RAL 9005, this information should be told to the sales representative when requested.  
 Please consider when used levelling feet 30mm add to Height, in castor add 80mm  
 0000 = Please check the Door Options page  
 YY = M1 for pre-assembled, D1 for flat pack



### Material

- 1.5 mm DKP

### IP Classification

- As a standard IP20
- IP40 when solid metal panel applied for all access

### Color Options

- RAL9005 Black
- RAL7035 White

### Loading Capacity

- Recommended up to 1500 kg loading capacity

### Doors

- Door options are available.
- Front door 4 point locking system and Rear Door 3 point locking system
- Doors can be opened to 180 degree.
- Doors can be opened to left or right direction

### Mounting Rails

- 19" Mounting rails; adjustable in depth of the cabinet
- 1.5mm DX51D galvanic

### Side Panels

- Locking system is available, side panels are removable

### Bottom Sheet

- It can be used completely open as well as detachable blank panels in standard configuration.

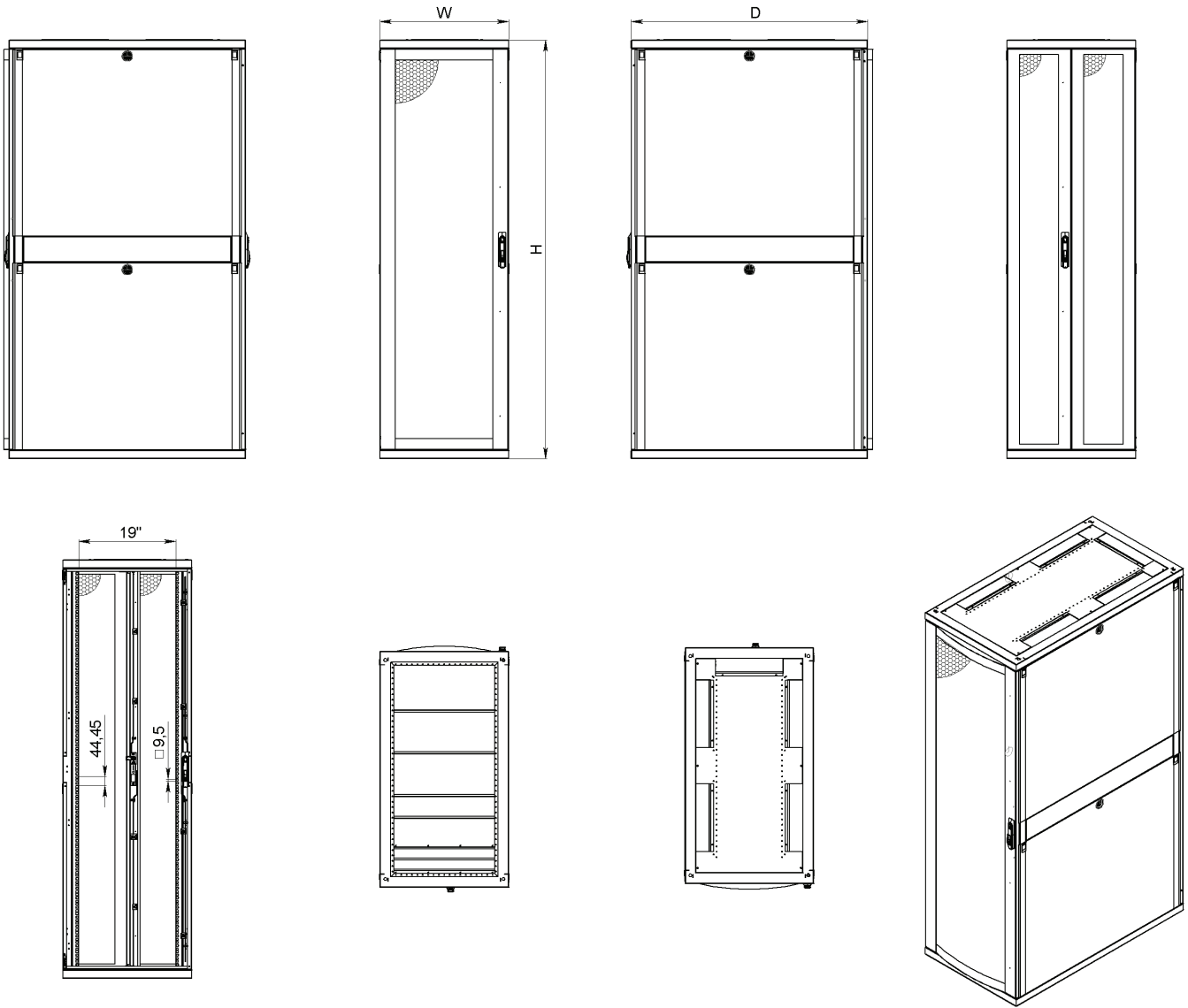
### Ground contact

- Caster and levelling feet options are available
- Plinth is available as an option.

### Top Sheet

- Fan module is available as an option

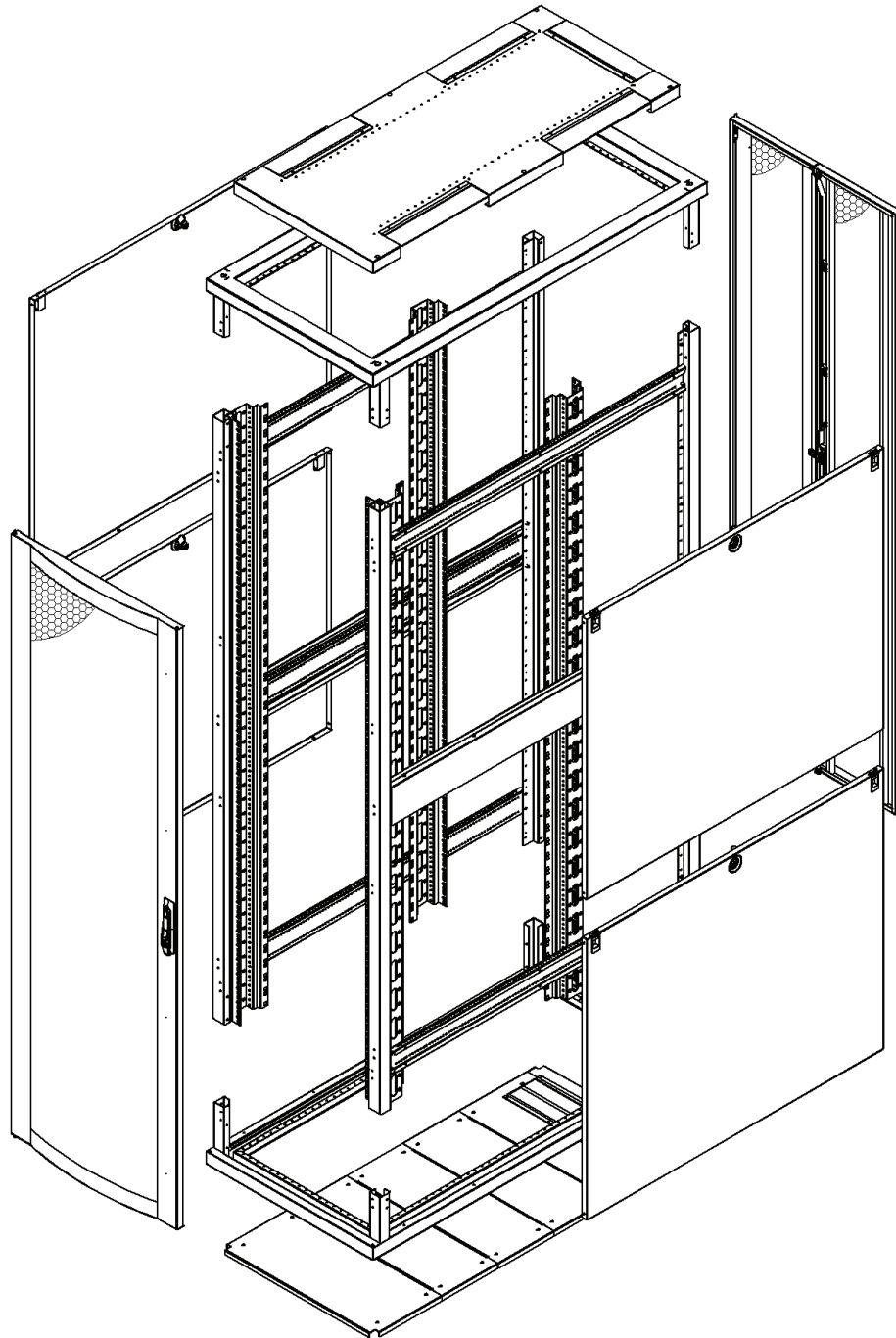




19" Ager DC Cabinets W=600mm D=1100mm

Product Code	Product Description	Bay (U)	Width (W) (mm)	Depth (D) (mm)	Height (H) (mm)
AG-DC42U6011XX-0000-A-YY	42U 19" Ager DC Data Center Cabinet W=600mm D=1100mm	42U	600	1100	1950
AG-DC45U6011XX-0000-A-YY	45U 19" Ager DC Data Center Cabinet W=600mm D=1100mm	45U	600	1100	2.084
AG-DC47U6011XX-0000-A-YY	47U 19" Ager DC Data Center Cabinet W=600mm D=1100mm	47U	600	1100	2.172

XX = Colour Code, B1 White RAL 7035, S1 Black RAL 9005, this information should be told to the sales representative when requested.  
 Please consider when used levelling feet 30mm add to Height, in castor add 80mm  
 0000 = Please check the Door Options page  
 YY = M1 for pre-assembled, D1 for flat pack



### Material

- 1.5 mm DKP

### IP Classification

- As a standard IP20
- IP40 when solid metal panel applied for all access

### Color Options

- RAL9005 Black
- RAL7035 White

### Loading Capacity

- Recommended up to 1500 kg loading capacity

### Doors

- Door options are available.
- Front door 4 point locking system and Rear Door 3 point locking system
- Doors can be opened to 180 degree.
- Doors can be opened to left or right direction

### Mounting Rails

- 19" Mounting rails; adjustable in depth of the cabinet
- 1.5mm DX51D galvanic

### Side Panels

- Locking system is available, side panels are removable

### Bottom Sheet

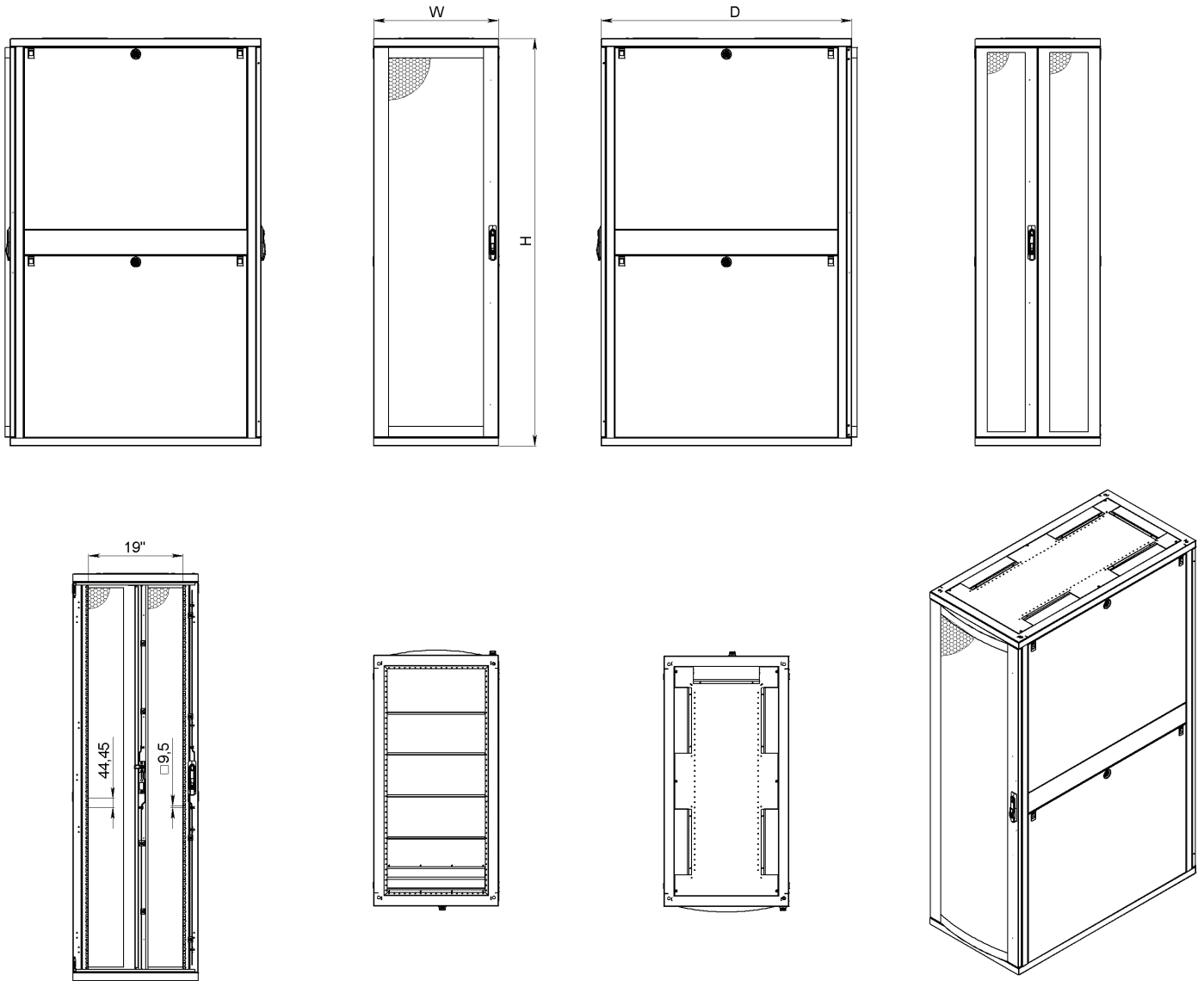
- It can be used completely open as well as detachable blank panels in standard configuration.

### Ground contact

- Caster and levelling feet options are available
- Plinth is available as an option.

### Top Sheet

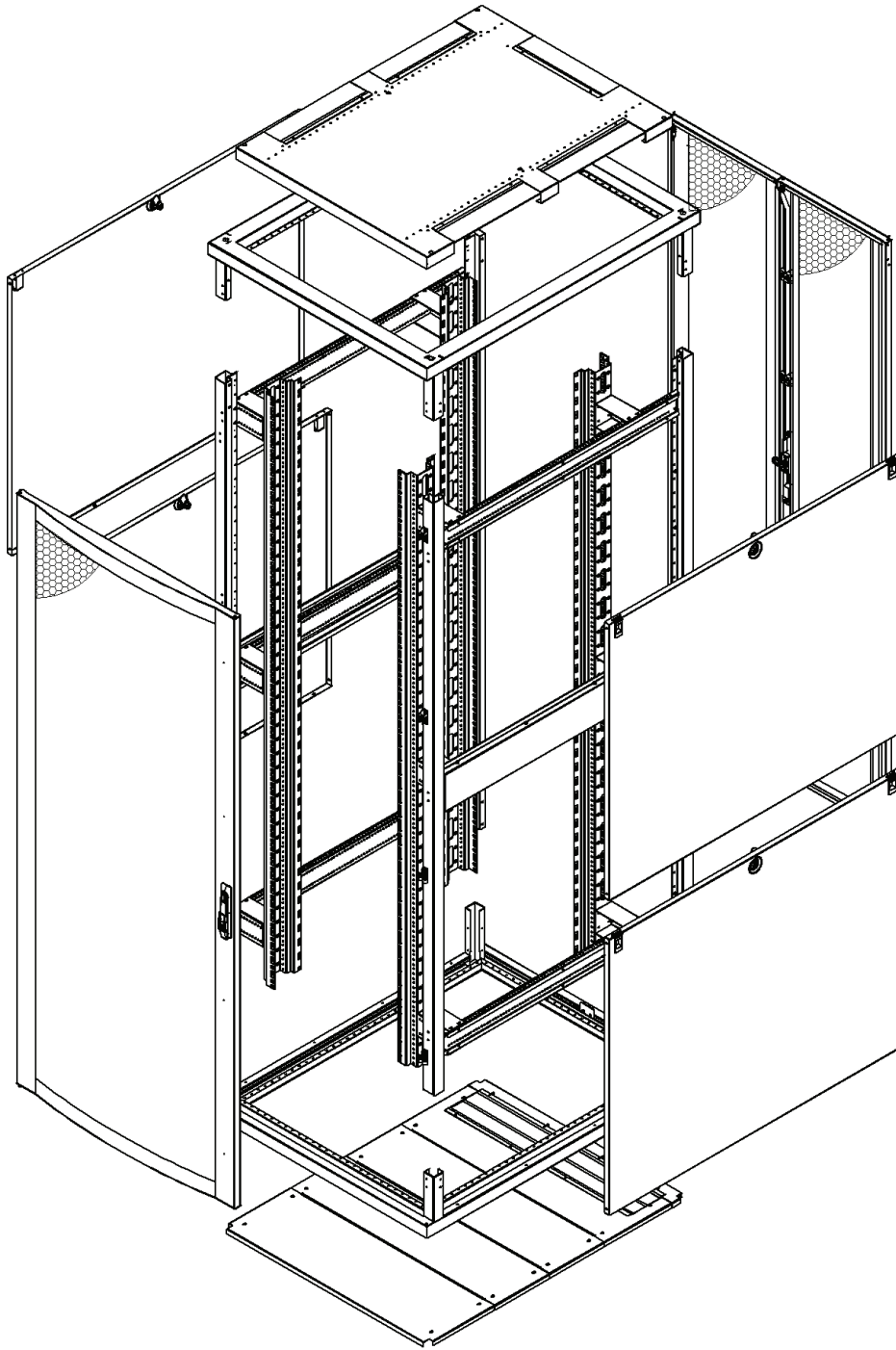
- Fan module is available as an option



19" Ager DC Cabinets W=600mm D=1200mm

Product Code	Product Description	Bay (U)	Width (W) (mm)	Depth (D) (mm)	Height (H) (mm)
AG-DC42U6012XX-0000-A-YY	42U 19" AgerDC Data Center Cabinet W=600mm D=1200mm	42U	600	1200	1950,
AG-DC45U6012XX-0000-A-YY	45U 19" AgerDC Data Center Cabinet W=600mm D=1200mm	45U	600	1200	2.084
AG-DC47U6012XX-0000-A-YY	47U 19" AgerDC Data Center Cabinet W=600mm D=1200mm	47U	600	1200	2.172

XX = Colour Code, B1 White RAL 7035, S1 Black RAL 9005, this information should be told to the sales representative when requested.  
 Please consider when used levelling feet 30mm add to Height, in castor add 80mm  
 0000 = Please check the Door Options page  
 YY = M1 for pre-assembled, D1 for flat pack



### Material

- 1.5 mm DKP

### IP Classification

- As a standard IP20
- IP40 when solid metal panel applied for all access

### Color Options

- RAL9005 Black
- RAL7035 White

### Loading Capacity

- Recommended up to 1500 kg loading capacity

### Doors

- Door options are available.
- Front door 4 point locking system and Rear Door 3 point locking system
- Doors can be opened to 180 degree.
- Doors can be opened to left or right direction

### Mounting Rails

- 19" Mounting rails; adjustable in depth of the cabinet
- 1.5mm DX51D galvanic

### Side Panels

- Locking system is available, side panels are removable

### Bottom Sheet

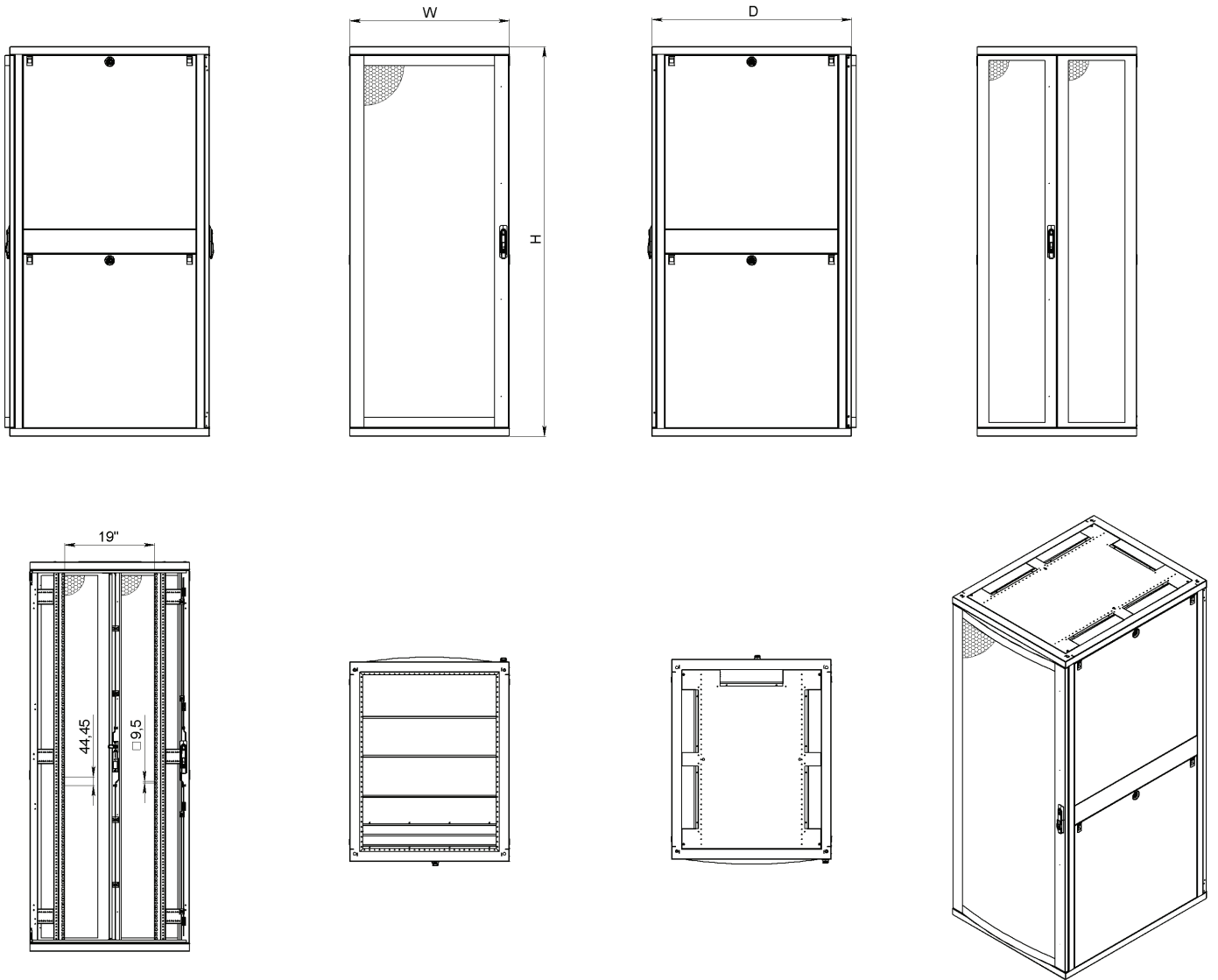
- It can be used completely open as well as detachable blank panels in standard configuration.

### Ground contact

- Caster and levelling feet options are available
- Plinth is available as an option.

### Top Sheet

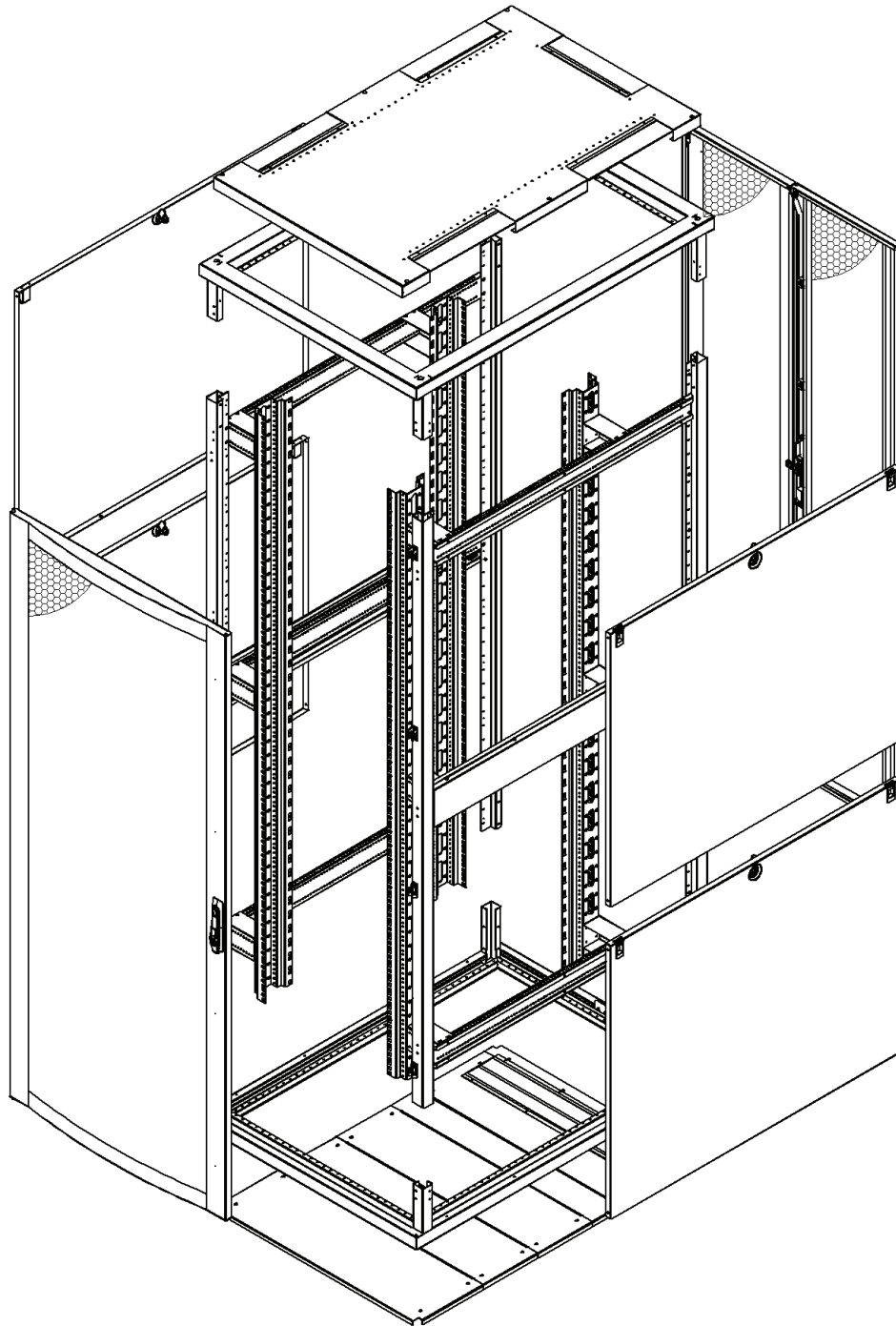
- Fan module is available as an option



19" Ager DC Cabinets W=800mm D=1000mm

Product Code	Product Description	Bay (U)	Width (W) (mm)	Depth (D) (mm)	Height (H) (mm)
AG-DC42U8010XX-0000-A-YY	42U 19" Ager DC Data Center Cabinet W=800mm D=1000mm	42U	800	1000	1950
AG-DC45U8010XX-0000-A-YY	45U 19" Ager DC Data Center Cabinet W=800mm D=1000mm	45U	800	1000	2.084
AG-DC47U8010XX-0000-A-YY	47U 19" Ager DC Data Center Cabinet W=800mm D=1000mm	47U	800	1000	2.172

XX = Colour Code, B1 White RAL 7035, S1 Black RAL 9005, this information should be told to the sales representative when requested.  
 Please consider when used levelling feet 30mm add to Height, in castor add 80mm  
 0000 = Please check the Door Options page  
 YY = M1 for pre-assembled, D1 for flat pack



### Material

- 1.5 mm DKP

### IP Classification

- As a standard IP20
- IP40 when solid metal panel applied for all access

### Color Options

- RAL9005 Black
- RAL7035 White

### Loading Capacity

- Recommended up to 1500 kg loading capacity

### Doors

- Door options are available.
- Front door 4 point locking system and Rear Door 3 point locking system
- Doors can be opened to 180 degree.
- Doors can be opened to left or right direction

### Mounting Rails

- 19" Mounting rails; adjustable in depth of the cabinet
- 1.5mm DX51D galvanic

### Side Panels

- Locking system is available, side panels are removable

### Bottom Sheet

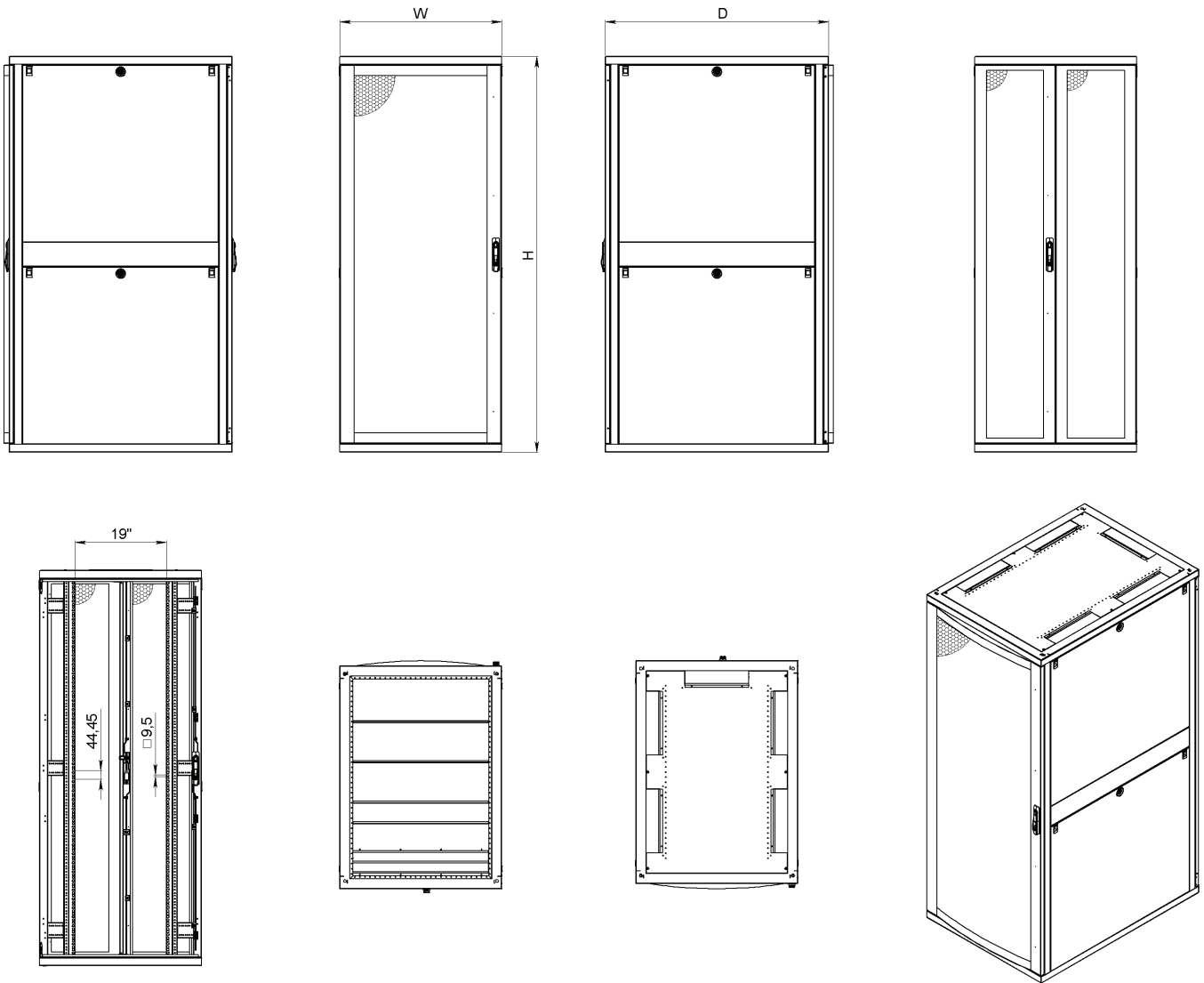
- It can be used completely open as well as detachable blank panels in standard configuration.

### Ground contact

- Caster and levelling feet options are available
- Plinth is available as an option.

### Top Sheet

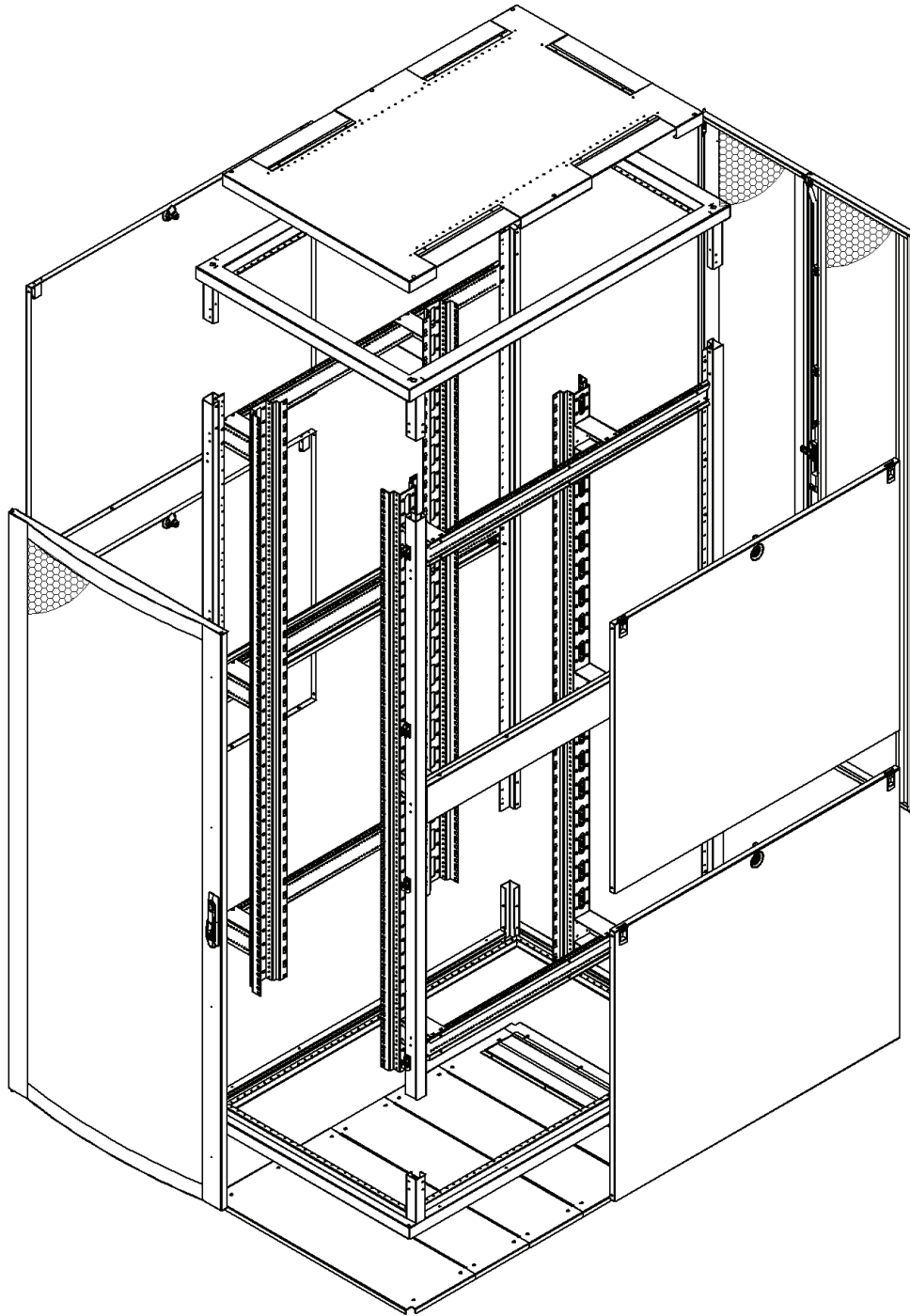
- Fan module is available as an option



19" Ager DC Cabinets W=800mm D=1100mm

Product Code	Product Description	Bay (U)	Width (W) (mm)	Depth (D) (mm)	Height (H) (mm)
AG-DC42U8011XX-0000-A-YY	42U 19" Ager DC Data Center Cabinet W=800mm D=1100mm	42U	800	1100	1950
AG-DC45U8011XX-0000-A-YY	45U 19" Ager DC Data Center Cabinet W=800mm D=1100mm	45U	800	1100	2.084
AG-VG47U8011XX-0000-A-YY	47U 19" Ager DC Data Center Cabinet W=800mm D=1100mm	47U	800	1100	2.172

XX = Colour Code, B1 White RAL 7035, S1 Black RAL 9005, this information should be told to the sales representative when requested.  
 Please consider when used levelling feet 30mm add to Height, in castor add 80mm  
 0000 = Please check the Door Options page  
 YY = M1 for pre-assembled, D1 for flat pack



### Material

- 1.5 mm DKP

### IP Classification

- As a standard IP20
- IP40 when solid metal panel applied for all access

### Color Options

- RAL9005 Black
- RAL7035 White

### Loading Capacity

- Recommended up to 1500 kg loading capacity

### Doors

- Door options are available.
- Front door 4 point locking system and Rear Door 3 point locking system
- Doors can be opened to 180 degree.
- Doors can be opened to left or right direction

### Mounting Rails

- 19" Mounting rails; adjustable in depth of the cabinet
- 1.5mm DX51D galvanic

### Side Panels

- Locking system is available, side panels are removable

### Bottom Sheet

- It can be used completely open as well as detachable blank panels in standard configuration.

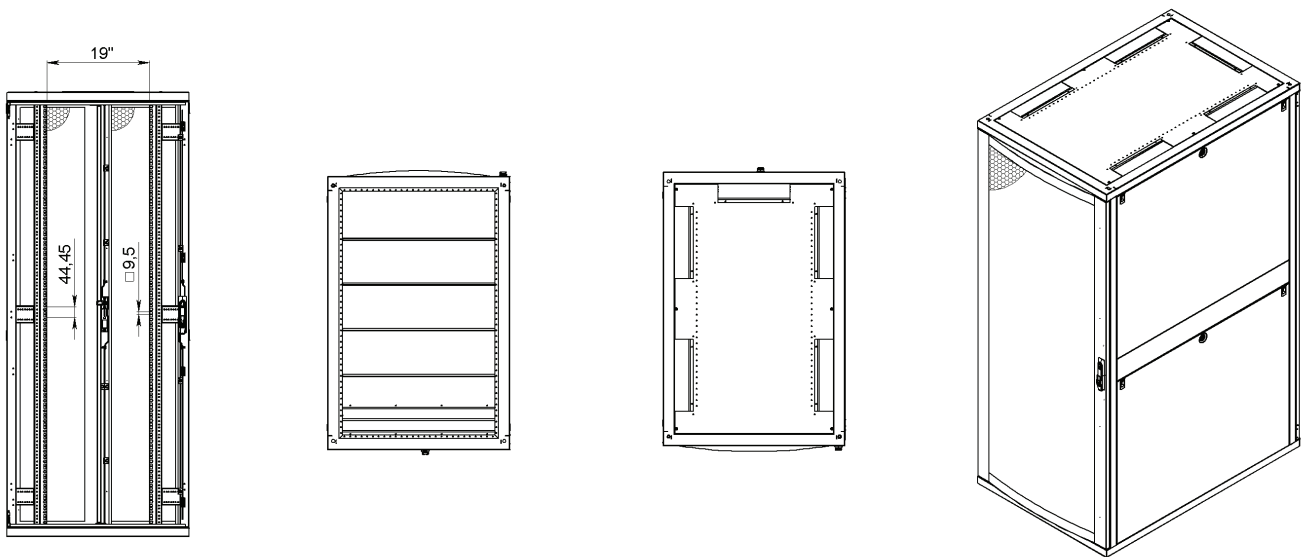
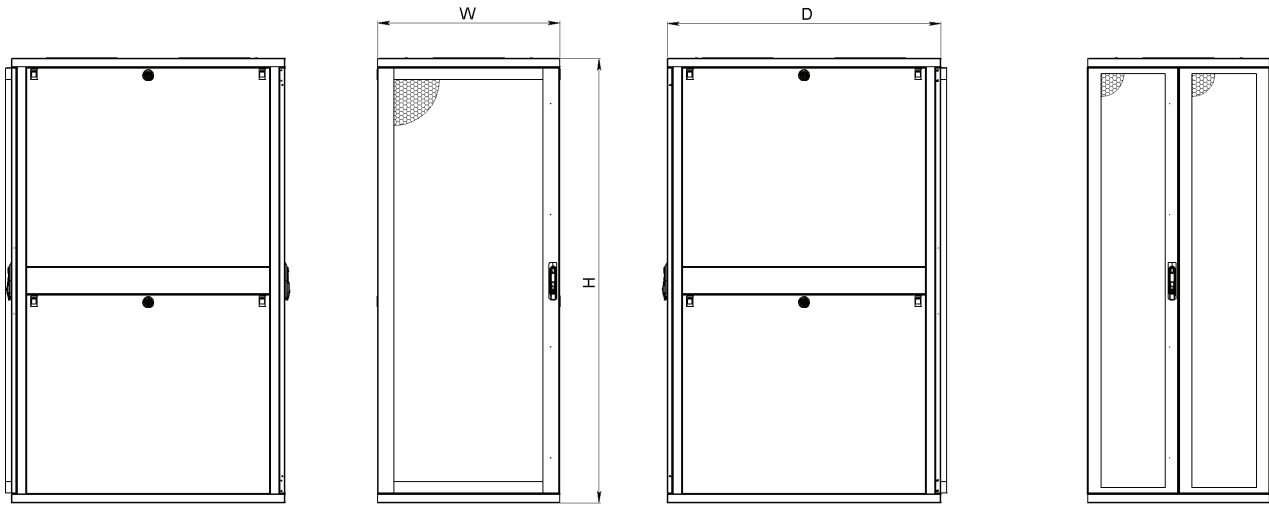
### Ground contact

- Caster and levelling feet options are available
- Plinth is available as an option.

### Top Sheet

- Fan module is available as an option

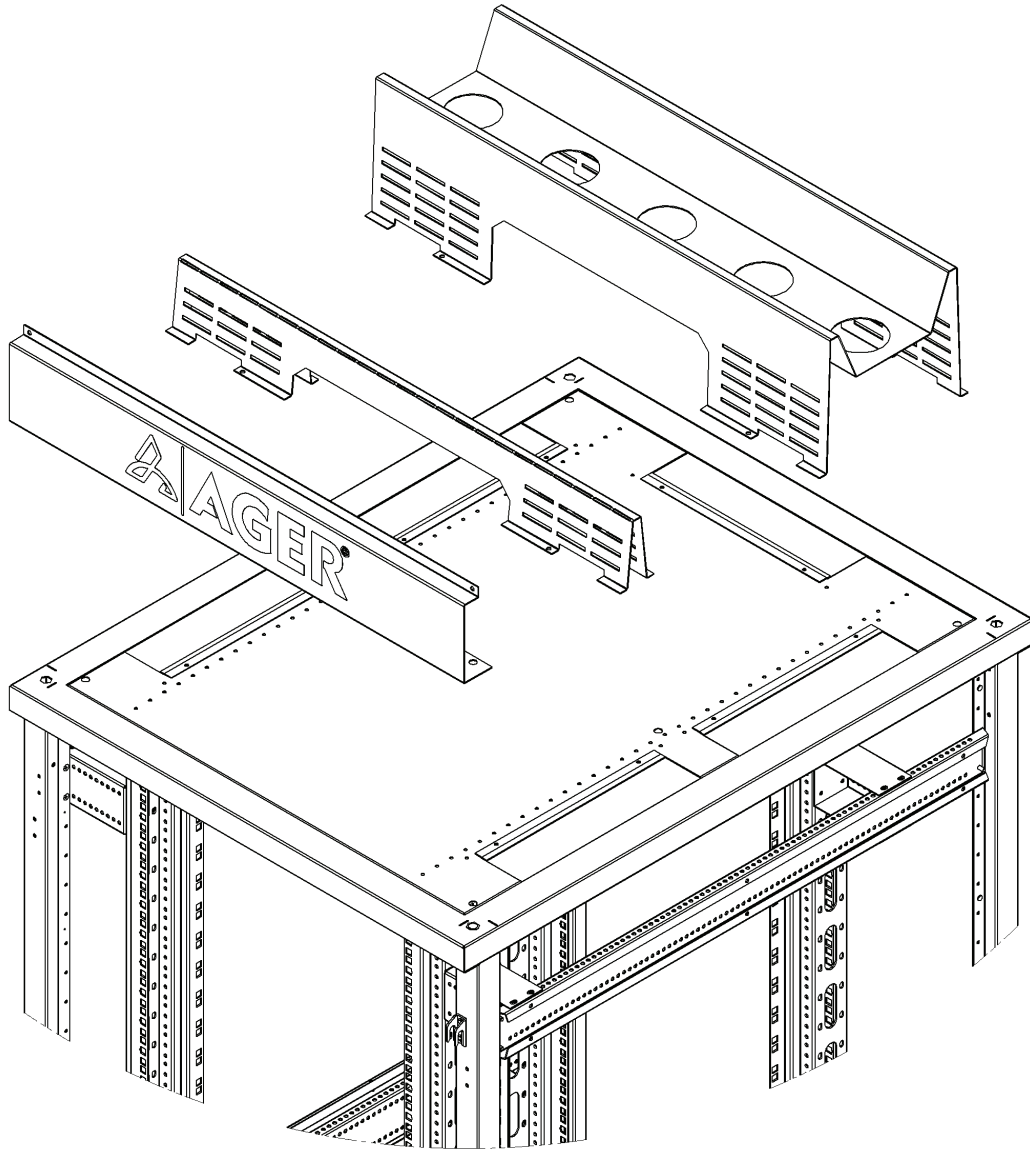




19" Ager DC Cabinets W=800mm D=1200mm

Product Code	Product Description	Bay (U)	Width (W) (mm)	Depth (D) (mm)	Height (H) (mm)
AG-VG42U8012XX-0000-A-YY	42U 19" Ager DC Data Center Cabinet W=800mm D=1200mm	42U	800	1200	1950
AG-VG45U8012XX-0000-A-YY	45U 19" Ager DC Data Center Cabinet W=800mm D=1200mm	45U	800	1200	2.084
AG-VG47U8012XX-0000-A-YY	47U 19" Ager DC Data Center Cabinet W=800mm D=1200mm	47U	800	1200	2.172

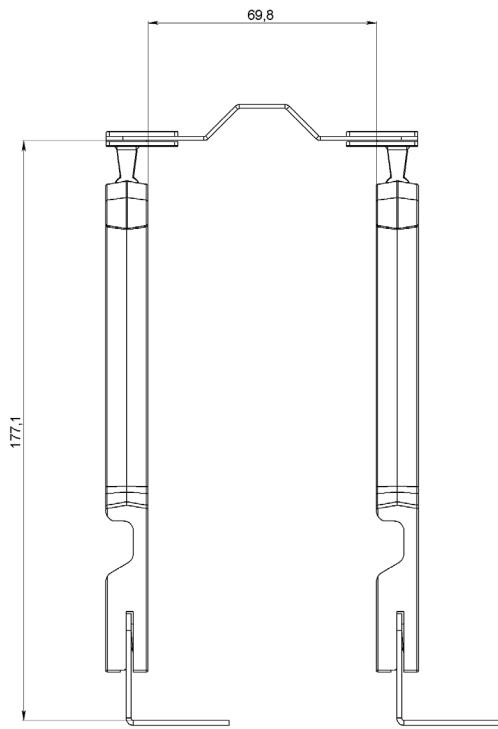
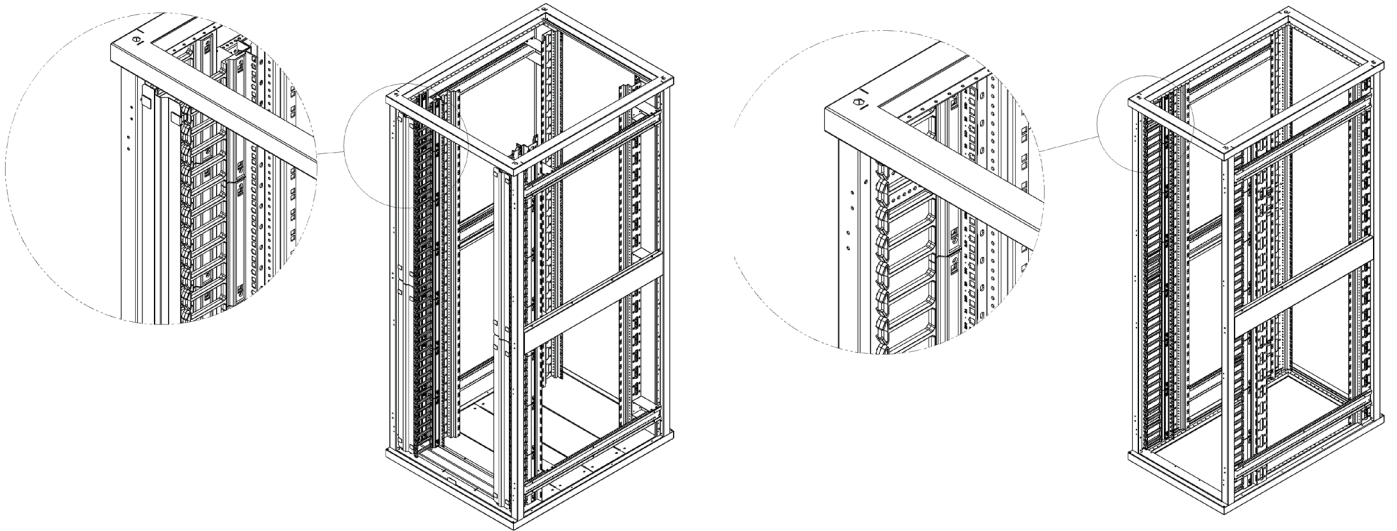
XX = Colour Code, B1 White RAL 7035, S1 Black RAL 9005, this information should be told to the sales representative when requested.  
 Please consider when used levelling feet 30mm add to Height, in castor add 80mm  
 0000 = Please check the Door Options page  
 YY = M1 for pre-assembled, D1 for flat pack



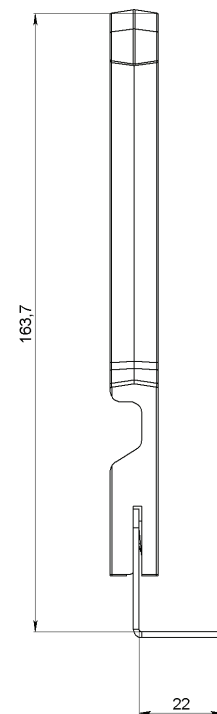
### Fronton and Cable Tray

Product Code	Product Description	Width (W) (mm)	Depth (D) (mm)	Height (H) (mm)
AG-DCALN60XX-A	Ager Data Center W=600 Fronton Without	600	50	120
AG-DCALN80XX-A	Ager Data Center W=800 Fronton Without	800	50	120
AG-DCA60XX-A	Ager Data Center W=600 A Cable Tray	600	60	100
AG-DCA80XX-A	Ager Data Center W=800 A Cable Tray	800	60	100
AG-DCM60XX-A	Ager Data Center W=600 M Cable Tray	600	261	202
AG-DCM80XX-A	Ager Data Center W=800 M Cable Tray	800	261	202

XX = Colour Code, B1 White RAL 7035, S1 Black RAL 9005, this information should be told to the sales representative when requested.



W = 800

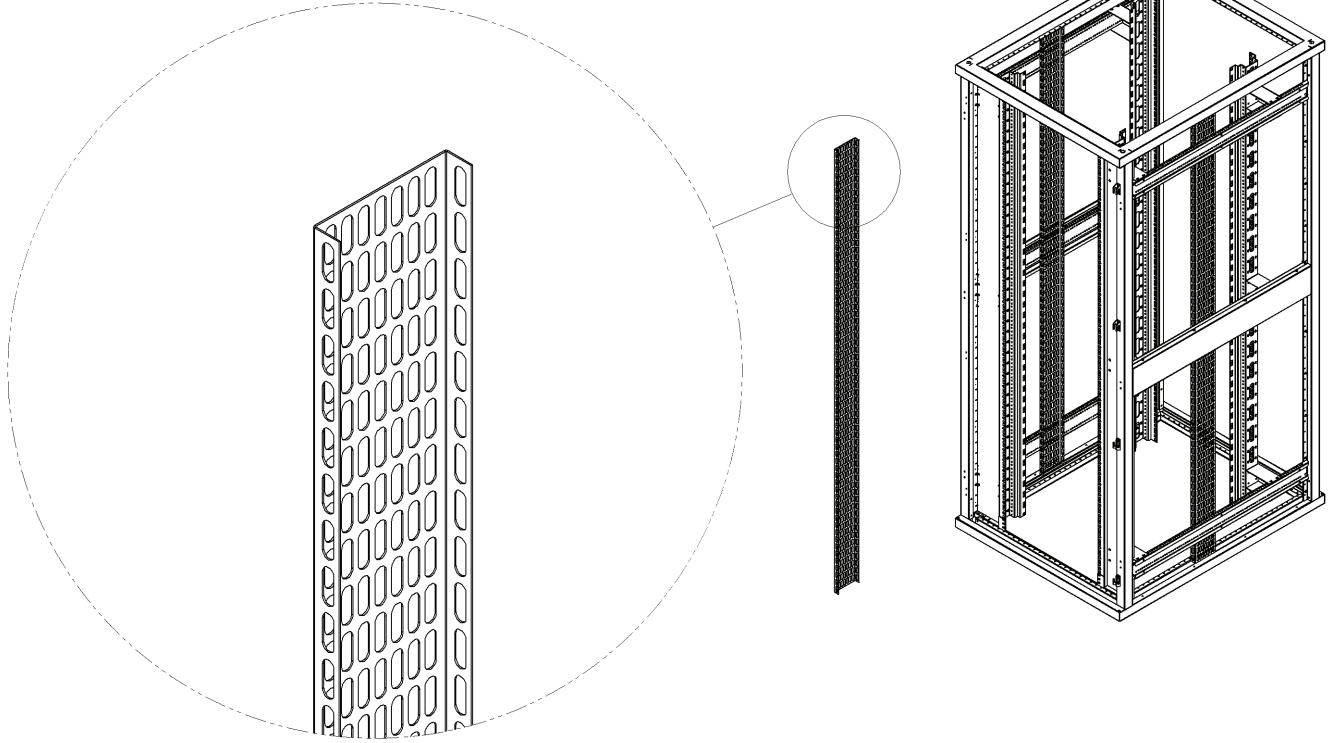


W = 600

Vertical Cable Management Panels

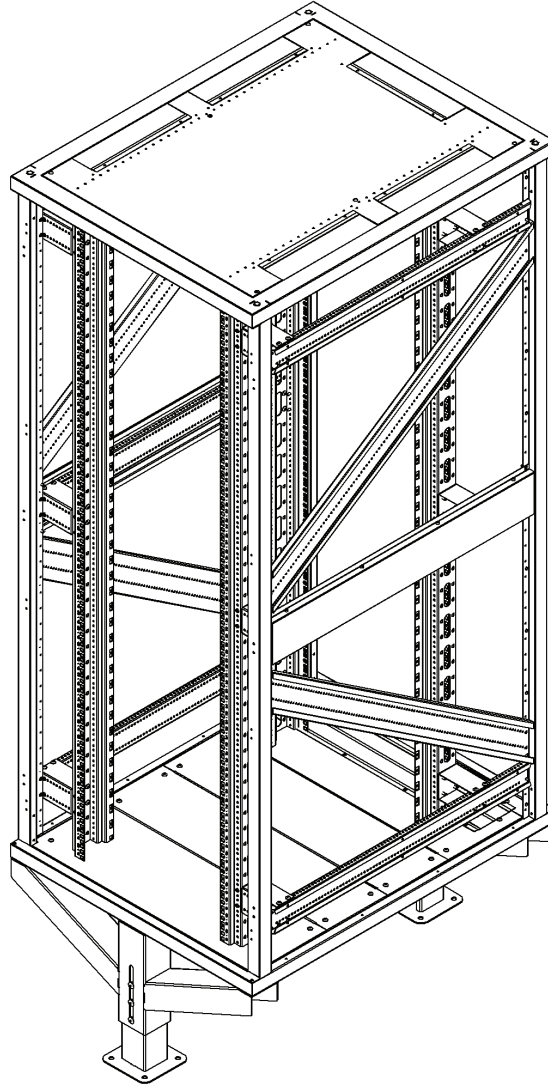
Product Code	Product Description	Width (W) (mm)	Depth (D) (mm)	Height (H) (mm)
AG-DCORS42U60XX-A	Ager Data Center 42U Wire Mesh Cable Management panel 1Set 2 pcs.	23.5	167	1869
AG-DCORS42U80XX-A	Ager Data Center 42U Wire Mesh Cable Management panel set 1Set 2 pcs.	112	192	1869
AG-DCORS45U60XX-A	Ager Data Center 45U Wire Mesh Cable Management panel set 1Set 2 pcs.	23.5	167	2002
AG-DCORS45U80XX-A	Ager Data Center 45U Wire Mesh Cable Management panel set 1Set 2 pcs.t	122	192	2002
AG-DCORS47U60XX-A	Ager Data Center 47U Wire Mesh Cable Management panel set 1Set 2 pcs.	23.5	167	2091
AG-DCORS47U80XX-A	Ager Data Center 47U Wire Mesh Cable Management panel set 1Set 2Pcs.	122	192	2091

XX = Colour Code, B1 White RAL 7035, S1 Black RAL 9005, this information should be told to the sales representative when requested.



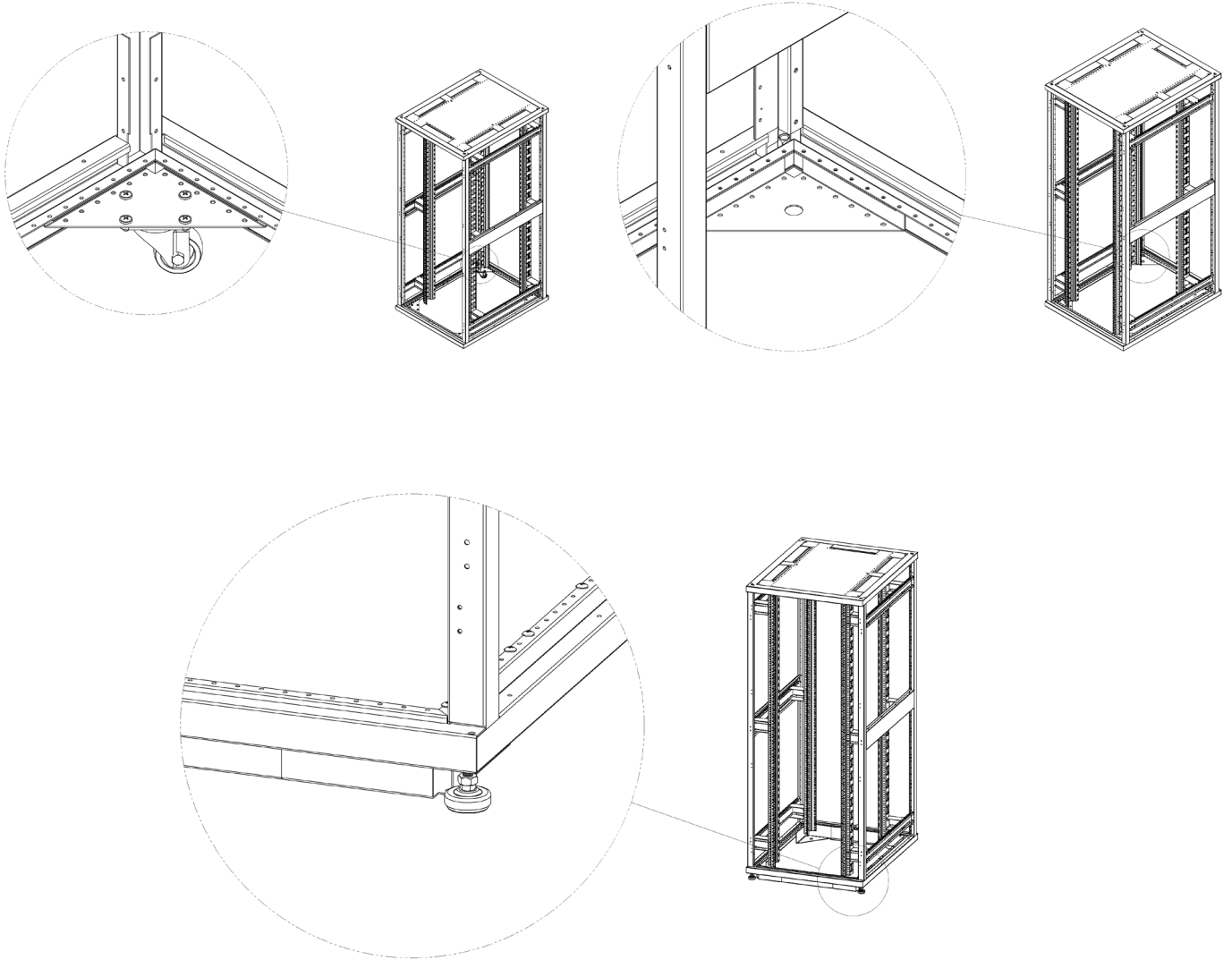
**Cable Tray**

Product Code	Product Description	Width (W) (mm)	Depth (D) (mm)	Height (H) (mm)
AG-DCKKN42U10-A	AGER DATA CENTER 42U Cable Tray W=100 1SET 2 pcs.(Galvanized Steel)	100	20	1865
AG-DCKKN45U10-A	AGER DATA CENTER 45U Cable Tray W=100 1SET 2 pcs.(Galvanized Steel)	100	20	1999
AG-DCKKN47U10-A	AGER DATA CENTER 47U Cable Tray W=100 1SET 2 pcs.(Galvanized Steel)	100	20	2087



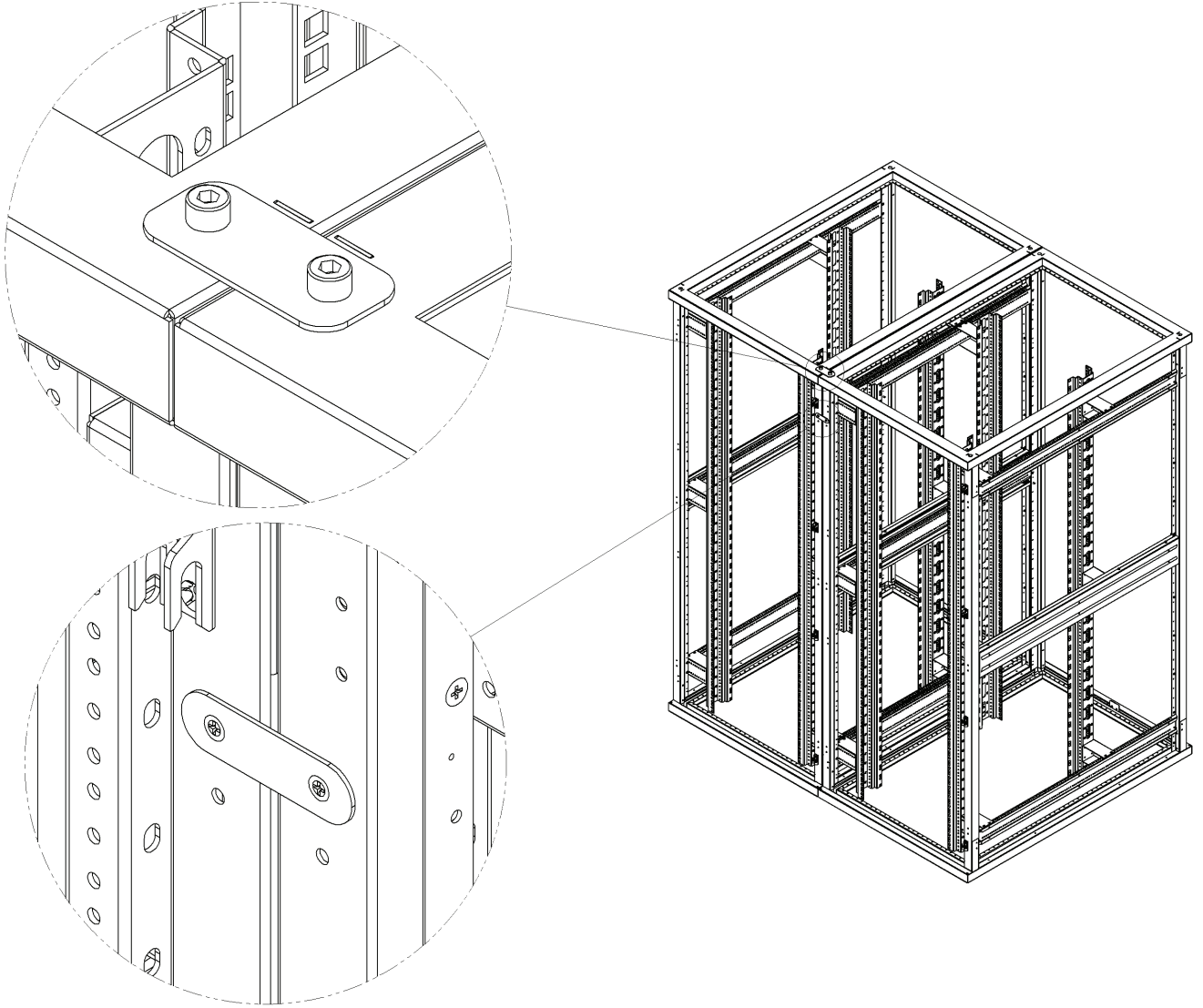
## Seismic Ground Kit

Product Code	Product Description	Width (W) (mm)	Height (H) (mm)
AG-DCDK42U10-A	Ager Data Center 42U D=1000 Seismic Ground Kit (1Set 4 pcs Galvanized Steel )	-	-
AG-DCDK42U11-A	Ager Data Center 42U D=1100 Seismic Ground Kit ( 1Set 4 pcs Galvanized Steel )	-	-
AG-DCDK42U12-A	Ager Data Center 42U D=1200 Seismic Ground Kit( 1Set 4 pcs.Galvanized Steel )	-	-
AG-DCZDK60-3045-A	Ager Data Center W=600 H=300-450MM Seismic Ground Kit 1Set 2 pcs.(Galvanized Steel)	600	350-450
AG-DCZDK60-4070-A	Ager Data Center W=600 H=400-700MM Seismic Ground Kit 1Set 2 pcs.(Galvanized Steel)	600	400-700
AG-DCZDK60-5065-A	Ager Data Center W=600 H=500-650MM Seismic Ground Kit 1Set 2 pcs.(Galvanized Steel)	600	500-650
AG-DCZDK60-5070-A	Ager Data Center W=600 H=500-700MM Seismic Ground Kit 1Set 2 pcs.(Galvanized Steel)	600	500-700
AG-DCZDK80-3045-A	Ager Data Center W=800 H=300-450MM Seismic Ground Kit 1Set 2 pcs.(Galvanized Steel)	800	300-450
AG-DCZDK80-5065-A	Ager Data Center W=800 H=500-650MM Seismic Ground Kit 1Set 2 pcs.(Galvanized Steel)	800	500-650



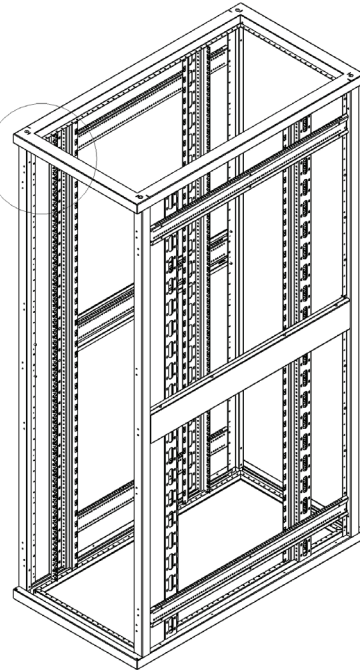
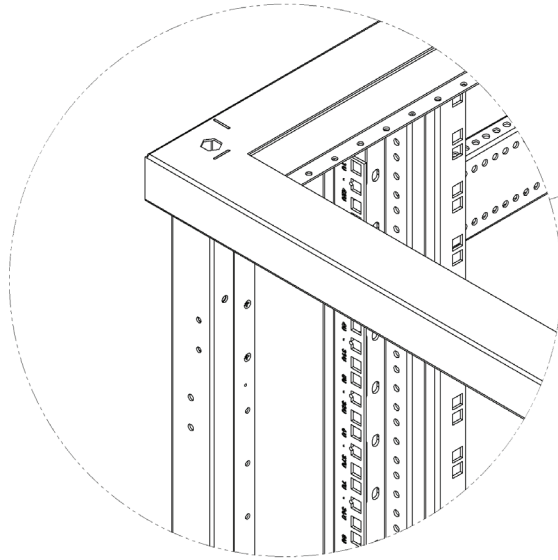
**Ground Connections**

Product Code	Product Description	Width (W) (mm)	Depth (D) (mm)	Height (H) (mm)
AG-DCZMNBKIT-A	Ager Data Center ground connection kit without castor and leveling feet (1 Set 4Pcs. Galvanized Steel)	-	-	-
AG-DCZMNBKIT-B	Ager Data Center ground connection kit leveling feet (1 Set 4Pcs. Galvanized Steel)	-	-	-
AG-DCZMNBKIT-C	Ager Data Center ground connection kit castor (1 Set 4Pcs. Galvanized Steel)	-	-	-

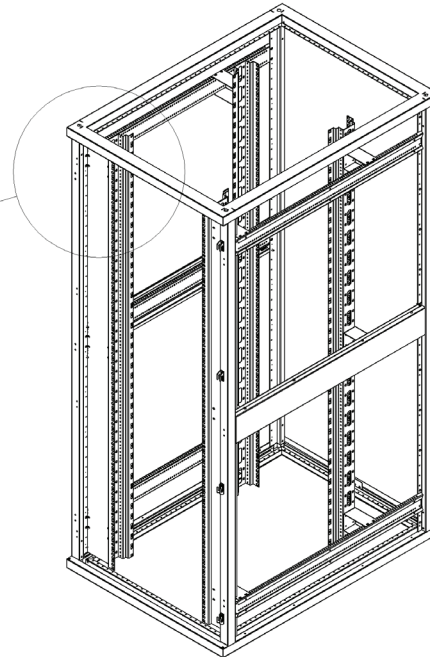
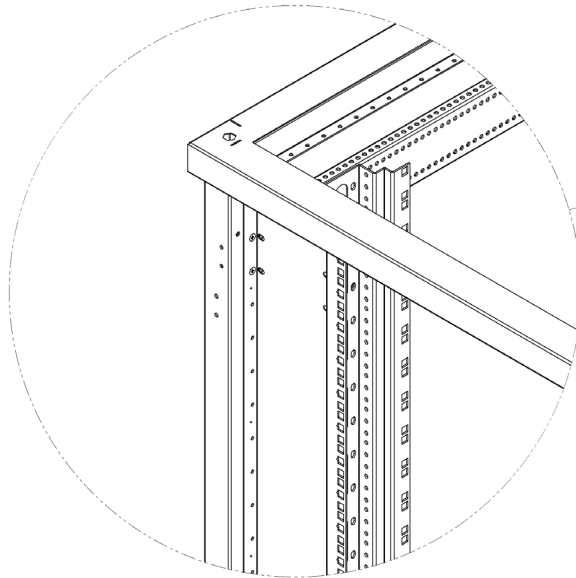


Baying Kits

Product Code	Product Description	Width (W) (mm)	Depth (D) (mm)	Height (H) (mm)
AG-DCBLG02-A	Ager Data Center Baying Kit (1Set 4 pcs Galvanized Steel)	-	-	-
AG-DCBLG03-A	Ager Data Center Baying Kit (1Set 4 pcs Galvanized Steel)	-	-	-



W = 600



W = 800

### Vertical Air Baffle Plates

Product Code	Product Description	Width (W) (mm)	Height (H) (mm)
AG-DCHVP42U60XX-A	42U W=600 Ager Data Center Vertical Air Baffle Plate Set	20	1869
AG-DCHVP42U80XX-A	42U W=800 Ager Data Center Vertical Air Baffle Plate Set	120	1869
AG-DCHVP45U60XX-A	45U W=600 Ager Data Center Vertical Air Baffle Plate Set	20	2002
AG-DCHVP45U80XX-A	45U W=800 Ager Vertical Air Baffle Plate Set	120	2002
AG-DCHVP47U60XX-A	47U W=600 Ager Vertical Air Baffle Plate Set	20	2091
AG-DCHVP47U80XX-A	47U W=800 Ager Data Center Vertical Air Baffle Plate Set	120	2091

XX = Color Code, B1 White RAL 7035<sup>1</sup>, S1 Black RAL 9005 during order please specify the colour choice



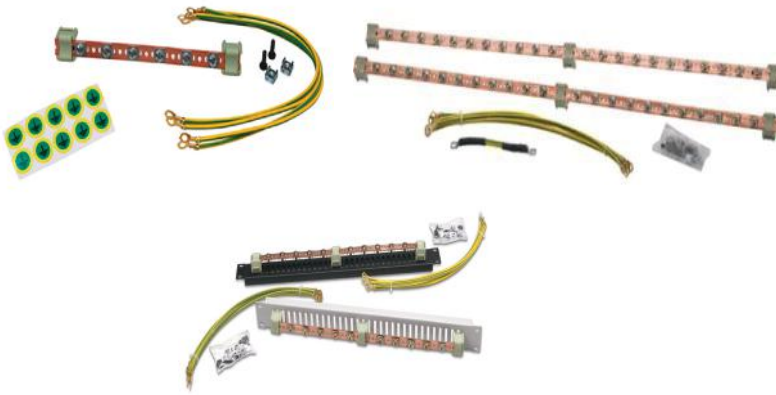


For Empty or Spare U locations in Network and Storage applications, the products could be used for closing and giving a good visual performance to cabinet. In Hot or cold air flow applications, the blanking panels could be used for directing the cold or hot air through. Sizes are various between 1U to 6U in 19" width size. Solid metal toolless model, with special turning clips by hand toolless application can be performed. From Steel Material with 2 bends extra strength given. Supply in RAL 9005 Black and RAL 7035 Light Grey colors. 1U and 2U sizes have the slotted models, providing the ventilation possibility.

#### Toolless Type Blank Panels

Product Code	Product Description	Width (W) (mm)	Depth (D) (mm)	Height (H) (mm)	Product net weight (kg)	Product Gross Weight (kg)
AA-KPN01U19-A-XX	1U 19" Blank Panel Toolless	482	12	44	0,26	0,3
AA-KPN02U19-A-XX	2U 19" Blank Panel Toolless	482	12	88	0,46	0,51
AA-KPN03U19-A-XX	3U 19" Blank Panel Toolless	482	12	132	0,58	0,67
AA-KPN04U19-A-XX	4U 19" Blank Panel Toolless	482	12	176	0,79	0,91
AA-KPN05U19-A-XX	5U 19" Blank Panel Toolless	482	12	220	0,97	1,08
AA-KPN06U19-A-XX	6U 19" Blank Panel Toolless	482	12	264	1,15	1,29
AA-SKP01U19-A-XX	1U 19" Blank Panel Toolless vented	482	12	44	0,23	0,27
AA-SKP02U19-A-XX	2U 19" Blank Panel Toolless vented	482	12	88	0,39	0,47

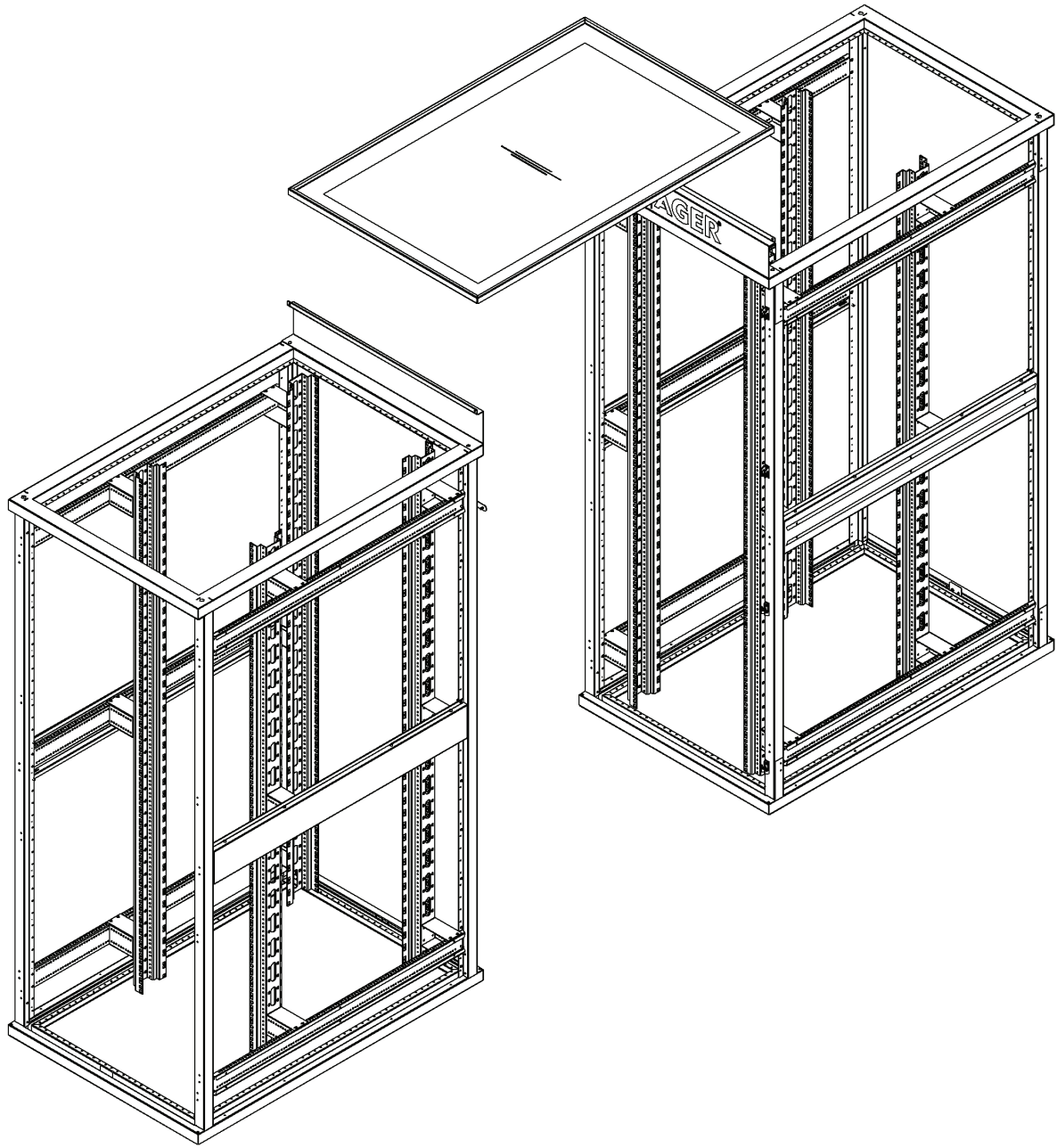
XX = Color Code, B1 White RAL 7035'i, S1 Black RAL 9005 during order please specify the colour choice



4 pcs earthing cable with 4mm diameter green/yellow, 40 cm length, it is used for main earthing.

#### Grounding Set

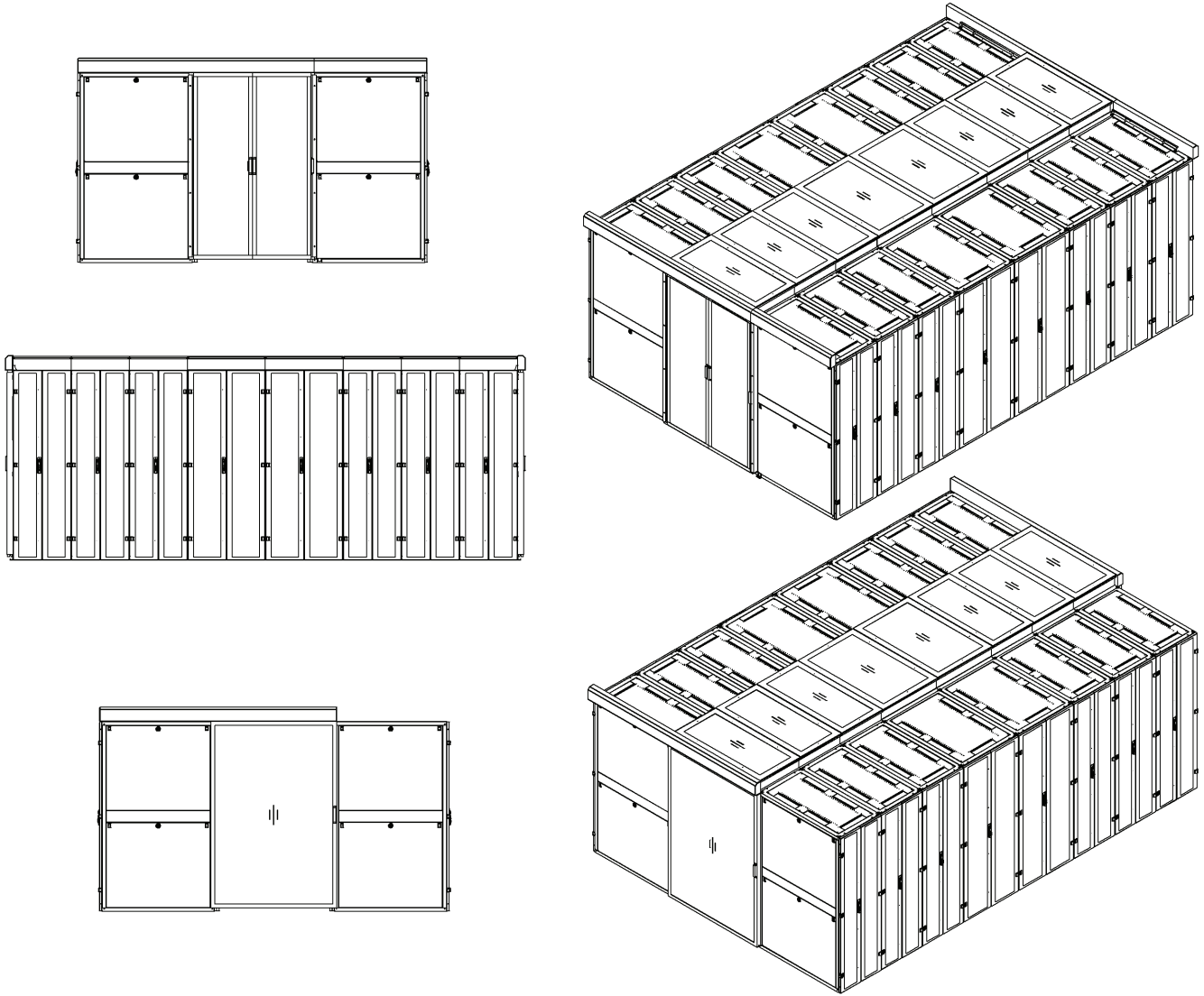
Product Code	Product Description	Width (W) (mm)	Depth (D) (mm)	Height (H) (mm)	product net weight (kg)	product gross weight (kg)
AA-TPR-1-A-CU	Grounding Set, 6 Grounding Point, 4PCSX4MM Diameter x 40 cm Long Yellow/Gren Wires, For Basic Gorunding of Cabinet Chasis and Panels	-	-	-	0,2	0,2
AA-TPR-2-A-CU	Vertical Grounding Set 780mm Long Each, 2pcs. 22x2=44 Grounding Points, 4PCSX4MM Diameter x 40 cm Long Yellow/Green Wires, Inc The Connetion Wire For The 2 Copper Bar	25	25	780	1,5	1,7



### Top Closure

Product Code	Product Description	Width (W) (mm)	Height (H) (mm)
AG-DCTKP6012XX-A	Ager Data Center W=600 D=1200 Aisle Top Closure	600	1200
AG-DCTKP6012XX-B	Ager Data Center W=600 D=1200 Aisle Top Closure	600	1200
AG-DCTKP8012XX-A	Ager Data Center W=800 D=1200 Aisle Top Closure	800	1200
AG-DCTKP8012XX-B	Ager Data Center W=800 D=1200 Aisle Top Closure	800	1200

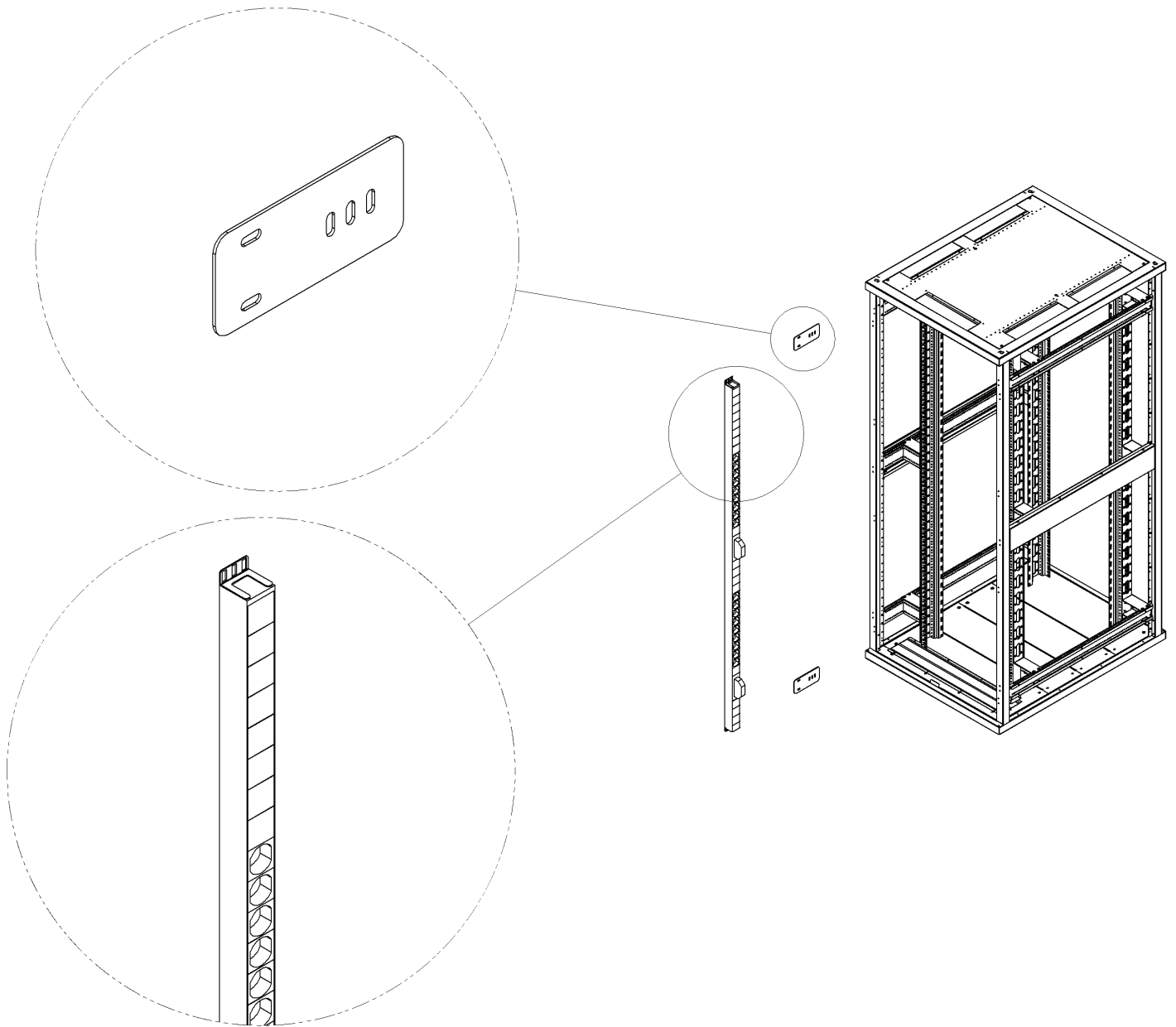
XX = Color Code, B1 White RAL 7035<sup>1</sup>, S1 Black RAL 9005 during order please specify the colour choice



Aisle Automatic and Manual Sliding Doors

Product Code	Product Description	Width (W) (mm)	Height (H) (mm)
AG-DCKKOC42U12XX-A	Ager Data Center 42U W=1200 Aisle Door Automatic Double Opening Sliding Door	1200	2065
AG-DCKKOT42U12XX-A	Ager Data Center 42U W=1200 Aisle Door Automatic Single Sliding Door	1200	2065
AG-DCKKMC42U12XX-A	Ager Data Center 42U W=1200 Aisle Door Manual Double Opening Sliding Door	1200	2065
AG-DCKKMT42U12XX-A	Ager Data Center 42U W=1200 Aisle Door Manual Single Sliding Door	1200	2065
AG-DCKKOC45U12XX-A	Ager Data Center 45U W=1200 Aisle Door Automatic Double Opening Sliding Door	1200	2198
AG-DCKKOT45U12XX-A	Ager Data Center 45U W=1200 Aisle Door Automatic Single Sliding Door	1200	2198
AG-DCKKMC45U12XX-A	Ager Data Center 45U W=1200 Aisle Door Manual Double Opening Sliding Door	1200	2198
AG-DCKKMT45U12XX-A	Ager Data Center 45U W=1200 Aisle Door Manual Single Sliding Door	1200	2198
AG-DCKKOC47U12XX-A	Ager Data Center 47U W=1200 Aisle Door Automatic Double Opening Sliding Door	1200	2287
AG-DCKKOT47U12XX-A	Ager Data Center 47U W=1200 Aisle Door Automatic Single Sliding Door	1200	2287
AG-DCKKMC47U12XX-A	Ager Data Center 47U W=1200 Aisle Door Manual Double Opening Sliding Door	1200	2287
AG-DCKKMT47U12XX-A	Ager Data Center 47U W=1200 Aisle Door Manual Single Sliding Door	1200	2287
AG-DCHVP42U12XX-A	42U 1200 Ager Data Center Aisle Air Closed Panel Set	1200	2070
AG-DCHVP45U12XX-A	45U 1200 Ager Data Center Aisle Air Closed Panel Set	1200	2070
AG-DCHVP47U12XX-A	47U 1200 Ager Data Center Aisle Air Closed Panel Set	1200	2070

XX = Color Code, B1 White RAL 7035<sup>1</sup>, S1 Black RAL 9005 during order please specify the colour choice



**PDU CONNECTION**

Product Code	Product Description	Width (W) (mm)	Height (H) (mm)
AG-DCPBA-A	PDU Connection 1Set 2 pcs. (Galvanized)	150	70



Fixed Shelves, 4 point fixing, Compatible with AGER cabinets. For allowing the convection of heated air inside cabinets, the shelves are structured with ventilation slots. Supply is in RAL 9005 Black and RAL 7035 Light Gray Colors. From Steel Material, with high technology bending strengthening accessory, Load capacity 50 kg.

Fixed Shelves, 4 point fixing

Product Code	Product Description	Width (W) (mm)	Depth (D) (mm)	Height (H) (mm)	Product net weight (kg)	Product Gross Weight (kg)
AA-SBT10-A-XX	19" Fixed Shelves. Loading Capacity 50 KG	486	770	30	3,5	3,9

XX = Color Code, B1 White RAL 7035'i, S1 Black RAL 9005 during order please specify the colour choice



Fixed Shelves, 4 point fixing, Compatible with all brand cabinets. Adjustable brackets at depth. For allowing the convection of heated air inside cabinets, the shelves are structured with ventilation slots. For allowing the convection of heated air inside cabinets, the shelves are structured with ventilation slots. Supply is in RAL 9005 Black and RAL 7035 Light Gray Colors. From Steel Material, with high technology bending strengthening accessory, Load capacity 50 kg.

Fixed Shelves, 4 point fixing, Compatible With All Brand Cabinets

Product Code	Product Description	Width (W) (mm)	Depth (D) (mm)	Height (H) (mm)	Product net weight (kg)	Product Gross Weight (kg)
AA-USB10-A-XX	19" Fixed Shelves 4 Point Fixing Compatible With All Brand Cabinets Loading Capacity 50 KG	486	770	44	3	3,6

XX = Color Code, B1 White RAL 7035'i, S1 Black RAL 9005 during order please specify the colour choice

Fixed Shelves, 4 point fixing, Compatible with all brand cabinets. Adjustable brackets at depth. For allowing the convection of heated air inside cabinets, the shelves are structured with ventilation slots. For allowing the convection of heated air inside cabinets, the shelves are structured with ventilation slots. Supply is in RAL 9005 Black and RAL 7035 Light Gray Colors. From Steel Material, with high technology bending strengthening accessory, Load capacity 50 kg.



Fixed Shelves, 4 point fixing, Compatible with all brand cabinets.

Product Code	Product Description	Width (W) (mm)	Depth (D) (mm)	Height (H) (mm)	Product net weight (kg)	Product Gross Weight (kg)
AA-AHR10-A-XX	"19" SLIDING SHELVES 4 POINT FIXING, PHYSICAL SHELF DEPTH:720MM D=1000MM CABINETS, LOAD CAPACITY 50 KG. COMPATIBLE WITH ALL BRAND 19" CABINETS	486	720	44	6,1	6,7

XX = Color Code, B1 White RAL 7035'i, S1 Black RAL 9005 during order please specify the colour choice



Heavy Duty Fixed Shelves, 4 point fixing, Compatible with AGER cabinets. For allowing the convection of heated air inside cabinets, the shelves are structured with ventilation slots. 1U sized. Supply is in RAL 9005 Black and RAL 7035 Light Grey colors. From Steel Material, with high technology bending strengthening accessory, Load capacity 100 kg.

Heavy Duty Fixed Shelves 4 point fixing

Product Code	Product Description	Width (W) (mm)	Depth (D) (mm)	Height (H) (mm)	Product net weight (kg)	Product Gross Weight (kg)
AA-ASB10-A-XX	" 19" Heavy Duty Fixed Shelves., 1U, 4 Point Fixing Depth :740MM D=1000MM Loading Capacity100 KG"	486	740	44	4,2	4,7

XX = Color Code, B1 White RAL 7035'i, S1 Black RAL 9005 during order please specify the colour choice

L shaped Support Rails connecting the mounting rails, Rack mount equipments, shelves or equipments without 19" assembly brackets safely could be housed inside the cabinet with the accessory. Corrosion resistance gained by DX51D+ZN275. Load Capacity 100 kg.



L Shaped Support

Product Code	Product Description	Width (W) (mm)	Depth (D) (mm)	Height (H) (mm)	Product net weight (kg)	Product Gross Weight (kg)
AA-LDT10-A-GV	L Shaped Suppor D=1000MM Cabinets, DX51D+ZN275 steel sheet metals	44	720	44	1,6	2