

OUTDOOR IP55 SERIES



Free standing IP55 industrial cabinets; 19" rack cabinets with full protection against dust, water and mechanical impacts. All necessary protection levels provided for protect the housed devices.





High Strength

Ip55 series has the capacity of carrying heavy devices to be housed due to the extra strength carcass system in the welded monoblock structure and the surface panels made of galvanized 1.5mm material.

Water and Dust Proof

Side, front, rear panels and top covers' sealed structure provide maximum protection against dust and water ingress.

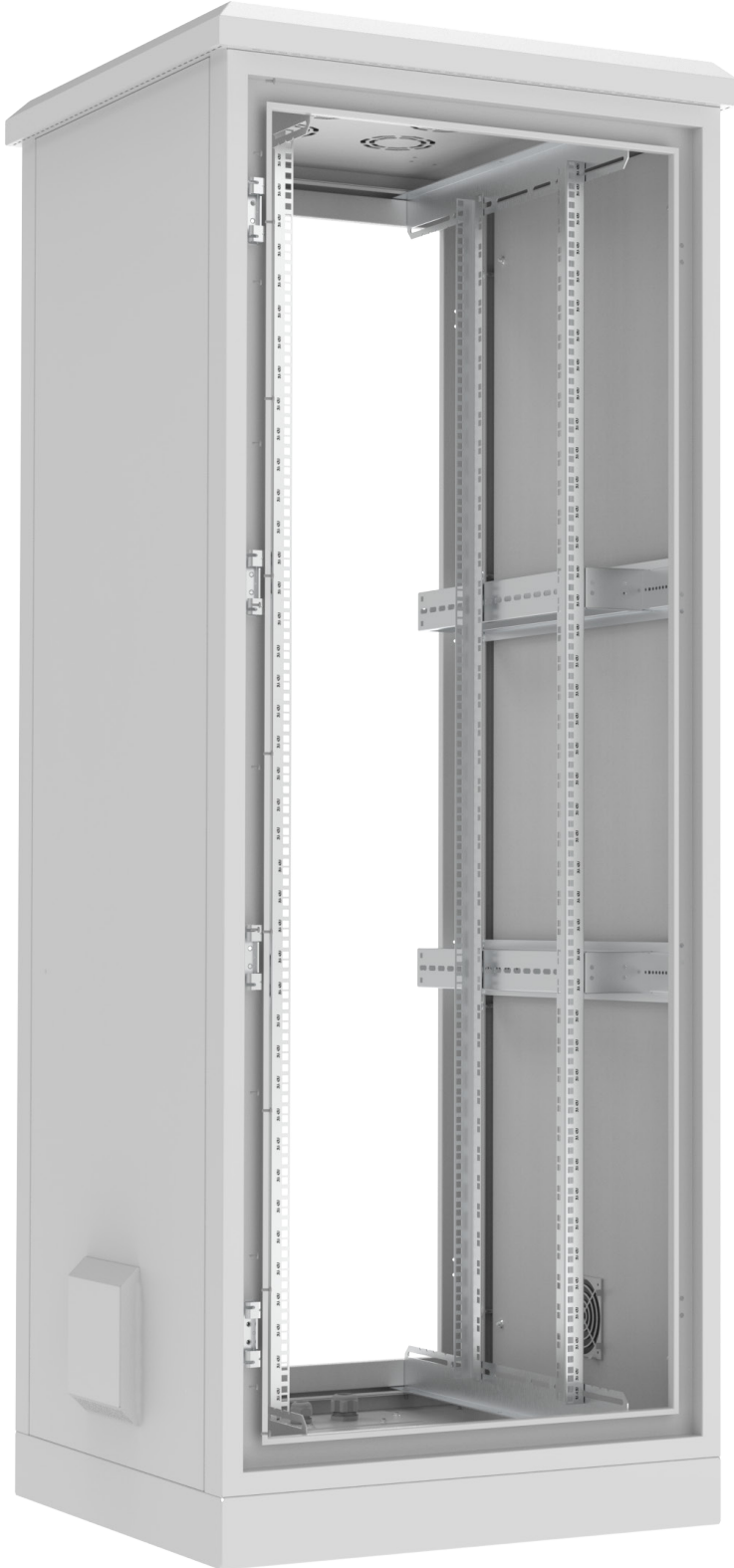


Cable Entry

1xPG29 cable gland with gasket, 2xPG21 cable gland with gasket, 1xPG21 blind plugs are available on the bottom metal plate. Can be designed according to demand.

Multiple Access

Removable feature of all panels, allowing access from all sides.



Front Door

Standard model is solid metal door. Optionally, glass door is available.

Rear Door

Standard model is solid metal door. Optionally, glass door is available.

Assembly Structure

It is shipped as assembled in one piece.

High Security

For maximum security, front and rear doors are equipped with the 3-point handled locking system.

Air Conditioning

If requested, industrial air conditioners can be installed on the top, side, front or rear panels.

Plinth

The optional plinth module provides protection for cable bundles entering from below. Optionally, the plinth height can be changed.

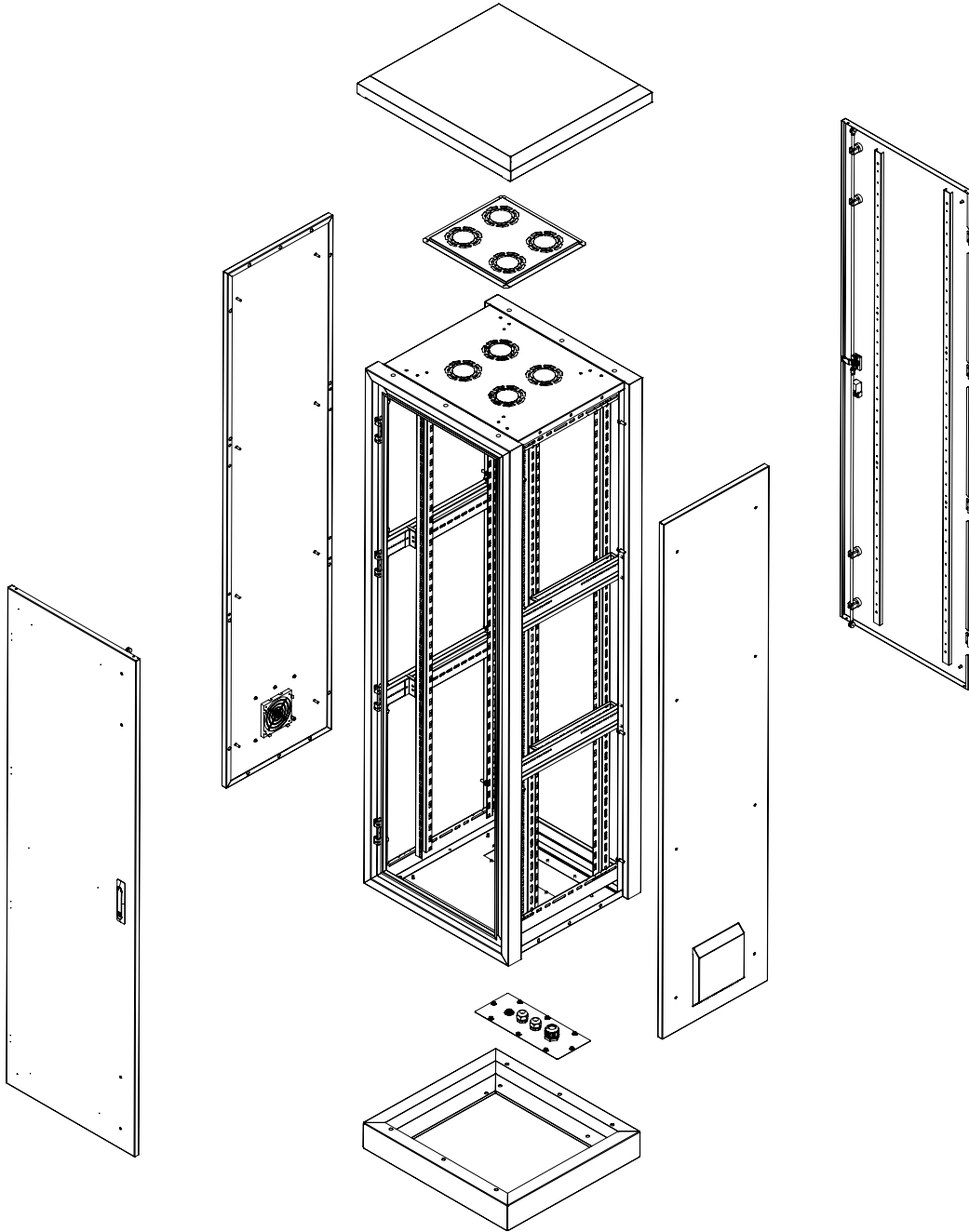
Grounding

Grounding ensure by the connection points on all of the panels.









Material

- 1.5 mm GLV

IP Classification

- As a standard IP55

Color Options

- RAL7035 White
- RAL9005 Black

Loading Capacity

- Recommended up to 1500 kg Loading capacity

Doors

- Complete metal and complete metal framed glass door options are available.
- 3 point locking system
- Doors can be opened to 110 degree
- Doors can be opened to left or right direction

Mounting Rails

- 1.5mm DX51D galvanic
- 19" Mounting rails; adjustable in depth of the cabinet

Side Panels

- Standard side panels are internally screwed. Locking system is available, Side panels are removable.

Bottom Sheet

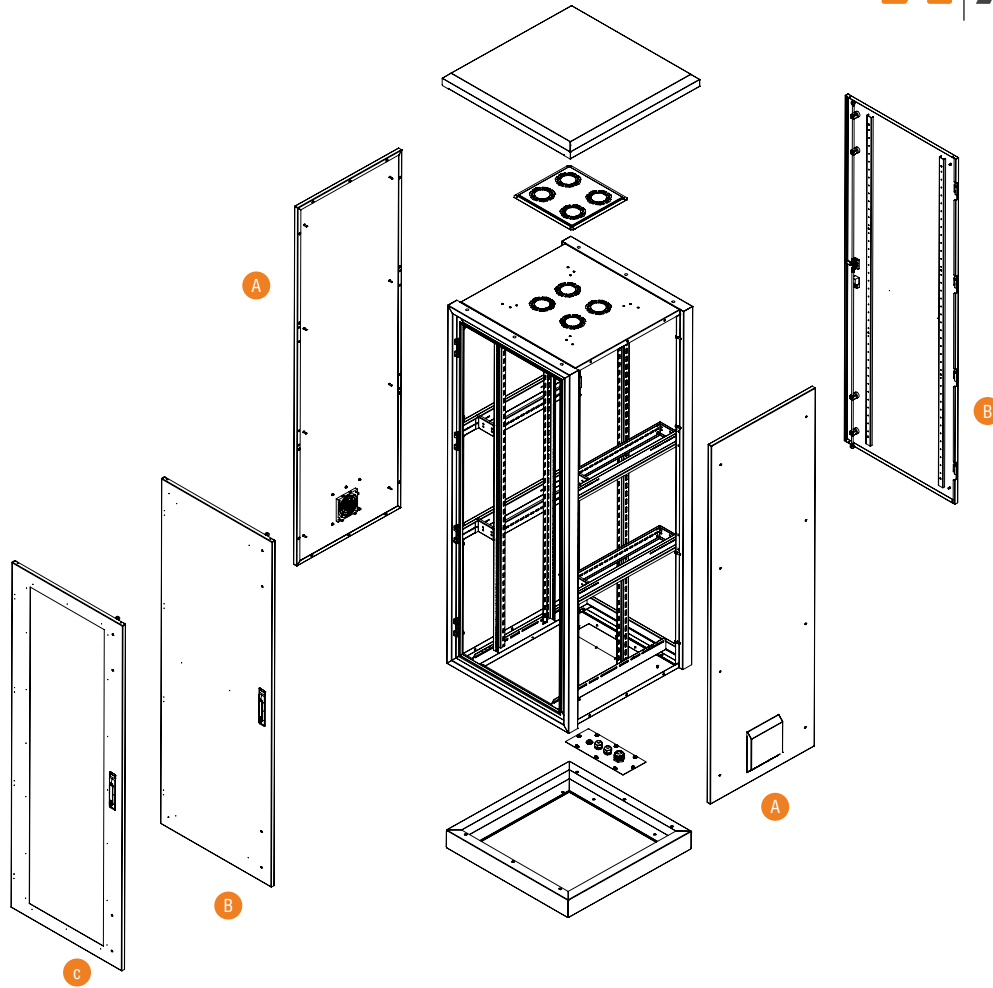
- There is a Gland mounted panel on the bottom cover. Special work can be done upon request.

Ground contact

- Plinth is available as an option

Top Sheet

- Fan module can be mounted. Air passage is provided between it and the top cover.



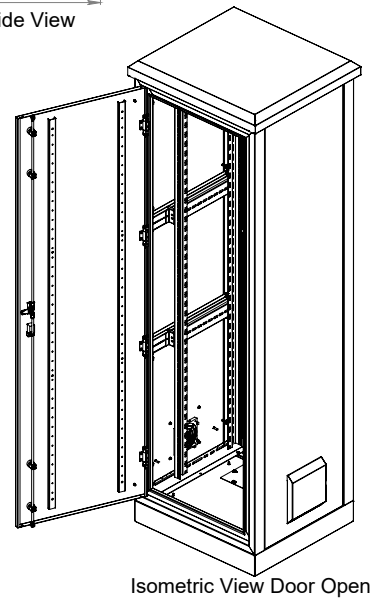
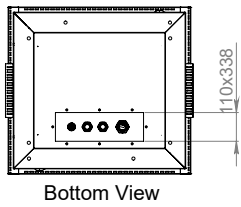
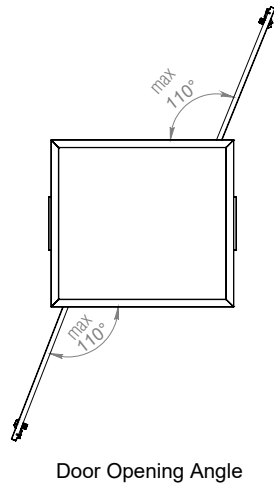
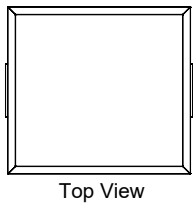
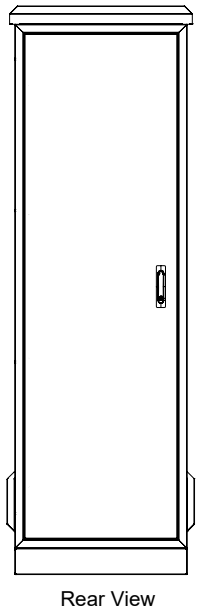
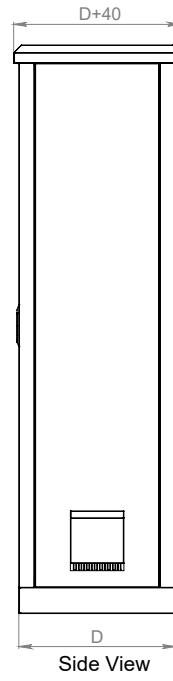
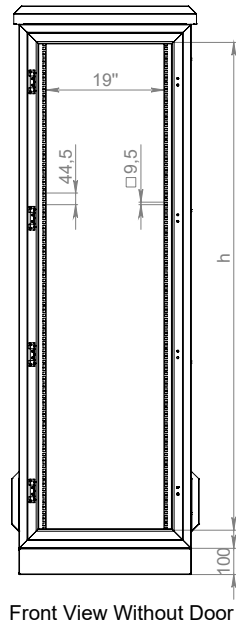
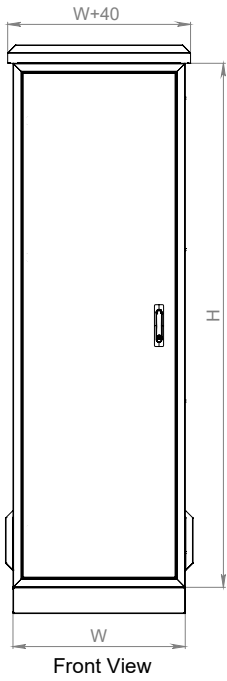
AG	OP	42U	66	60	XX	C	B	A	A	A	M1
1	2	3	4	5	6	7	8	9	10	11	12

1. Company product coding system's initial character is AG that stands for AGER.
2. Product Series Code. OP stands for IP55 Free Standing
3. Numeric Character defining the height of the cabinet. Depending on model differences, between 07 to 20 height variety available. U Height Alfanumeric Notation is fixed, not editable. 1U is 44.45mm.
4. The First two Digits of the width information. 60 for W=600 cabinets, 80 for W:800mm cabinets, 54 for W:540cmm.
5. The First two Digits of the depth information, 66 for D:660mm cabinets, 80 for D:800mm cabinets, 10 for D:1000mm cabinets.
6. Colour Codes. B1 for Light Gray RAL 7035. S1 for Black RAL 9005, B2 for light gray RAL 7035
7. Front door variation number.*
8. Rear door variation number*
9. Right Side Panel variation number.*
10. Left Side Panel variation number.
11. Version information. A- Standart version. The version is changed alphabetically when any alteration made to the cabinet
12. Indicate how the cabinets' shipped. M1 for assembled, D1 for flat pack.

* YOU CAN CHECK THE DOOR OPTIONS FOR DOOR AND PANEL VARITIONS...

Outdoor IP55 Series Door Options

- A Panel Single Opening, Flat Shaped,Solid Metal, Screwed,
- B Single Opening, Flat Shaped, Complete Solid Metal Front Door,3 Point Locking with Handle
- C Single Opening, Flat Shaped, Glass Front Door with Metal Frame, 3 Point Locking with Handle



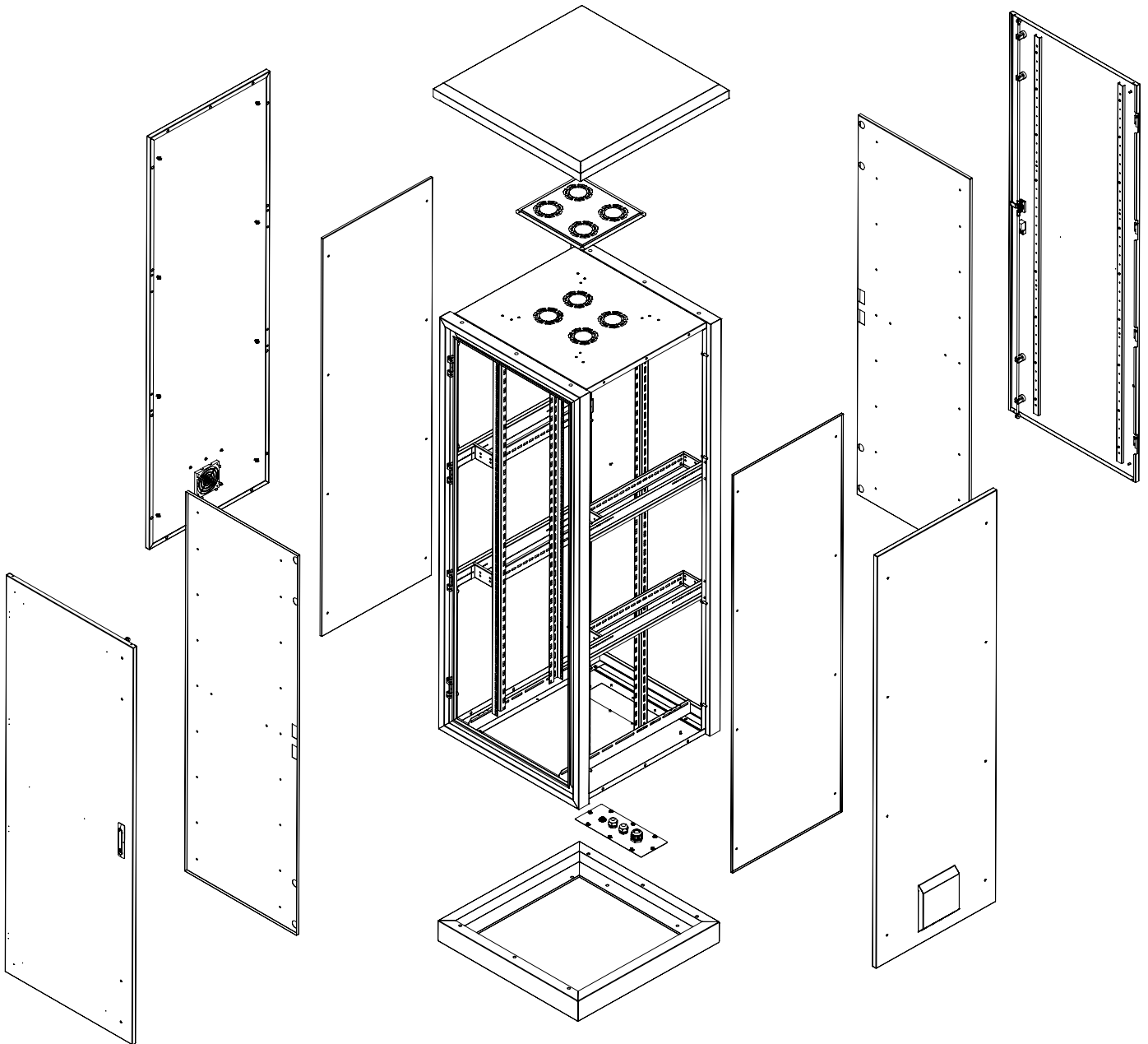
19" Ager Outdoor IP55 Cabinets							
Product Code	Product Description	Height (U)	Width (W) (mm)	Depth (D) (mm)	Height (H) (mm)	Weight (Net) (kg)	Weight (Gross) (kg)
AG-OP22U6660 B2-0000	22U 19" Ager Outdoor IP55 Cabinet	22U	660	600	1119	82	86
AG-OP26U6660 B2-0000	26U 19" Ager Outdoor IP55 Cabinet	26U	660	600	1296	91	95
AG-OP32U6660 B2-0000	32U 19" Ager Outdoor IP55 Cabinet	32U	660	600	1563	105	109
AG-OP36U6660 B2-0000	36U 19" Ager Outdoor IP55 Cabinet	36U	660	600	1741	115	119
AG-OP42U6660 B2-0000	42U 19" Ager Outdoor IP55 Cabinet	42U	660	600	2008	130	134
AG-OP22U6680 B2-0000	22U 19" Ager Outdoor IP55 Cabinet	22U	660	800	1119	87	91
AG-OP26U6680 B2-0000	26U 19" Ager Outdoor IP55 Cabinet	26U	660	800	1296	98	102
AG-OP32U6680 B2-0000	32U 19" Ager Outdoor IP55 Cabinet	32U	660	800	1563	115	119
AG-OP36U6680 B2-0000	36U 19" Ager Outdoor IP55 Cabinet	36U	660	800	1741	127	131
AG-OP42U6680 B2-0000	42U 19" Ager Outdoor IP55 Cabinet	42U	660	800	2008	145	149
AG-OP22U6610 B2-0000	22U 19" Ager Outdoor IP55 Cabinet	22U	660	1000	1119	98	102
AG-OP26U6610 B2-0000	26U 19" Ager Outdoor IP55 Cabinet	26U	660	1000	1296	110	114
AG-OP32U6610 B2-0000	32U 19" Ager Outdoor IP55 Cabinet	32U	660	1000	1563	128	132
AG-OP36U6610 B2-0000	36U 19" Ager Outdoor IP55 Cabinet	36U	660	1000	1741	141	145
AG-OP42U6610 B2-0000	42U 19" Ager Outdoor IP55 Cabinet	42U	660	1000	2008	160	164
AG-OP22U8080 B2-0000	22U 19" Ager Outdoor IP55 Cabinet	22U	800	800	1142	90	94
AG-OP26U8080 B2-0000	26U 19" Ager Outdoor IP55 Cabinet	26U	800	800	1320	104	108
AG-OP32U8080 B2-0000	32U 19" Ager Outdoor IP55 Cabinet	32U	800	800	1587	126	130
AG-OP36U8080 B2-0000	36U 19" Ager Outdoor IP55 Cabinet	36U	800	800	1765	141	145
AG-OP42U8080 B2-0000	42U 19" Ager Outdoor IP55 Cabinet	42U	800	800	2037	164	168
AG-OP22U8010 B2-0000	22U 19" Ager Outdoor IP55 Cabinet	22U	800	1000	1142	104	108
AG-OP26U8010 B2-0000	26U 19" Ager Outdoor IP55 Cabinet	26U	800	1000	1320	119	123
AG-OP32U8010 B2-0000	32U 19" Ager Outdoor IP55 Cabinet	32U	800	1000	1587	141	145
AG-OP36U8010 B2-0000	36U 19" Ager Outdoor IP55 Cabinet	36U	800	1000	1765	157	161
AG-OP42U8010 B2-0000	42U 19" Ager Outdoor IP55 Cabinet	42U	800	1000	2032	180	184

XX = Color Code, B1 White refers to RAL 7035, S1 Black refers to RAL 9005, this information should be conveyed to the representative at the order stage.
 Please add 30mm to the H value when using Pinion Feet and 80mm for Wheel Assembly.
 0000 = See cover options page.
 YY = M1 is used for assembled shipment and D1 is used for disassembled shipment.



Double Wall Structure

Double-walled and insulated structure provides high protection against accidental contact, vandalism, extreme thermal conditions and environmental impact. The outer wall is 1.5mm and the inner wall is 1.0mm, both of them DX51D+ZN275 galvanized steel. Considering environmental conditions and impact; double-walled, 9mm polyurethane thermal insulation material is used in the cabinets. This insulated structure is an effective solution to extreme weather conditions. Through ventilation slots on the forehead of the cabinet cold, fresh air enters and fans are discharge the air. Thus decrease the temperature inside the cabinet prevents heat which may damage the active devices.



Material

- 1.5 mm GLV

IP Classification

- As a standard IP55

Color Options

- RAL7035 White
- RAL9005 Black

Loading Capacity

- Recommended up to 1500 kg Loading capacity

Doors

- Complete metal and complete metal framed glass door options are available.
- 3 point locking system
- Doors can be opened to 110 degree
- Doors can be opened to left or right direction

Mounting Rails

- 1.5mm DX51D galvanic
- 19" Mounting rails; adjustable in depth of the cabinet

Side Panels

- Standard side panels are internally screwed. Locking system is available, Side panels are removable.

Bottom Sheet

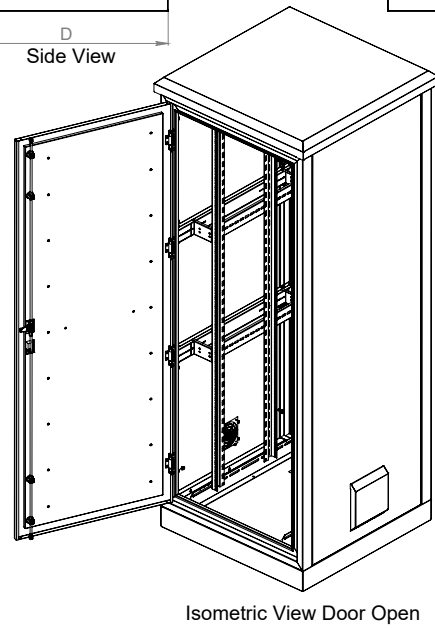
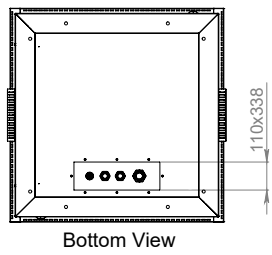
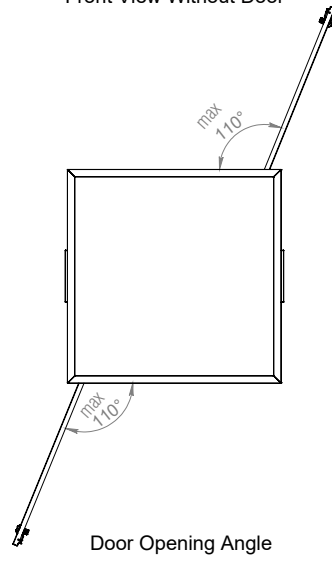
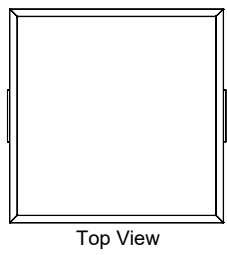
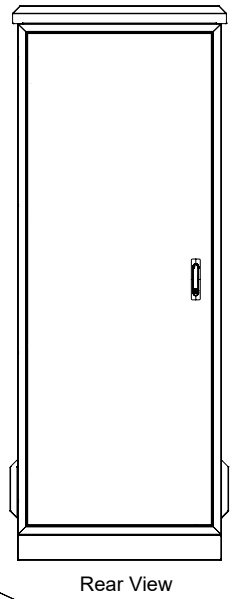
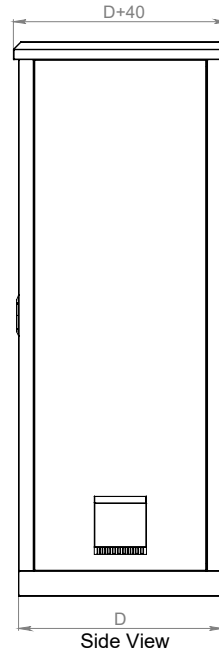
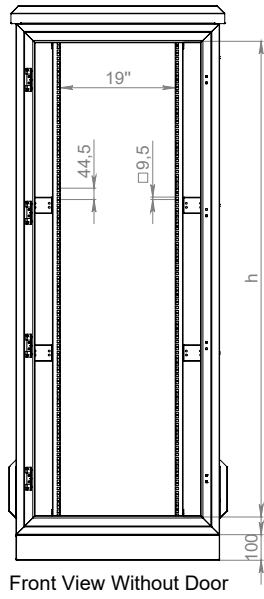
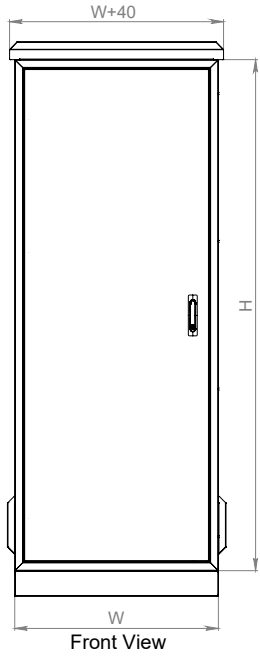
- There is a Gland mounted panel on the bottom cover. Special work can be done upon request.

Ground contact

- Plinth is available as an option

Top Sheet

- Fan module can be mounted. Air passage is provided between it and the top cover.



19" Outdoor Double Structure IP55 Cabinets

Product Code	Product Description	Height (U)	Width (W) (mm)	Depth (D) (mm)	Height (H) (mm)	Weight (Net) (kg)	Weight (Gross) (kg)
AG-OPD22U6660 B2-0000	22U 19" Ager Outdoor Double Structure IP55 Cabinets	22U	660	600	1119	103	107
AG-OPD26U6660 B2-0000	26U 19" Ager Outdoor Double Structure IP55 Cabinets	26U	660	600	1296	114	118
AG-OPD32U6660 B2-0000	32U 19" Ager Outdoor Double Structure IP55 Cabinets	32U	660	600	1563	132	136
AG-OPD36U6660 B2-0000	36U 19" Ager Outdoor Double Structure IP55 Cabinets	36U	660	600	1741	145	149
AG-OPD42U6660 B2-0000	42U 19" Ager Outdoor Double Structure IP55 Cabinets	42U	660	600	2008	164	168
AG-OPD22U6680 B2-0000	22U 19" Ager Outdoor Double Structure IP55 Cabinets	22U	660	800	1119	110	114
AG-OPD26U6680 B2-0000	26U 19" Ager Outdoor Double Structure IP55 Cabinets	26U	660	800	1296	125	129
AG-OPD32U6680 B2-0000	32U 19" Ager Outdoor Double Structure IP55 Cabinets	32U	660	800	1563	147	151
AG-OPD36U6680 B2-0000	36U 19" Ager Outdoor Double Structure IP55 Cabinets	36U	660	800	1741	162	166
AG-OPD42U6680 B2-0000	42U 19" Ager Outdoor Double Structure IP55 Cabinets	42U	660	800	2008	185	189
AG-OPD22U6610 B2-0000	22U 19" Ager Outdoor Double Structure IP55 Cabinets	22U	660	1000	1119	128	132
AG-OPD26U6610 B2-0000	26U 19" Ager Outdoor Double Structure IP55 Cabinets	26U	660	1000	1296	143	147
AG-OPD32U6610 B2-0000	32U 19" Ager Outdoor Double Structure IP55 Cabinets	32U	660	1000	1563	165	169
AG-OPD36U6610 B2-0000	36U 19" Ager Outdoor Double Structure IP55 Cabinets	36U	660	1000	1741	181	185
AG-OPD42U6610 B2-0000	42U 19" Ager Outdoor Double Structure IP55 Cabinets	42U	660	1000	2008	204	208
AG-OPD22U8080 B2-0000	22U 19" Ager Outdoor Double Structure IP55 Cabinets	22U	800	800	1142	115	119
AG-OPD26U8080 B2-0000	26U 19" Ager Outdoor Double Structure IP55 Cabinets	26U	800	800	1320	133	137
AG-OPD32U8080 B2-0000	32U 19" Ager Outdoor Double Structure IP55 Cabinets	32U	800	800	1587	161	165
AG-OPD36U8080 B2-0000	36U 19" Ager Outdoor Double Structure IP55 Cabinets	36U	800	800	1765	180	184
AG-OPD42U8080 B2-0000	42U 19" Ager Outdoor Double Structure IP55 Cabinets	42U	800	800	2037	208	212
AG-OPD22U8010 B2-0000	22U 19" Ager Outdoor Double Structure IP55 Cabinets	22U	800	1000	1142	136	140
AG-OPD26U8010 B2-0000	26U 19" Ager Outdoor Double Structure IP55 Cabinets	26U	800	1000	1320	155	159
AG-OPD32U8010 B2-0000	32U 19" Ager Outdoor Double Structure IP55 Cabinets	32U	800	1000	1587	181	185
AG-OPD36U8010 B2-0000	36U 19" Ager Outdoor Double Structure IP55 Cabinets	36U	800	1000	1765	201	205
AG-OPD42U8010 B2-0000	42U 19" Ager Outdoor Double Structure IP55 Cabinets	42U	800	1000	2032	230	234

XX = Color Code, B1 White refers to RAL 7035, S1 Black refers to RAL 9005, this information should be conveyed to the representative at the order stage.
 Please add 30mm to the H value when using Pinion Feet and 80mm for Wheel Assembly.
 0000 = See cover options page.
 YY = M1 is used for assembled shipment and D1 is used for disassembled shipment.