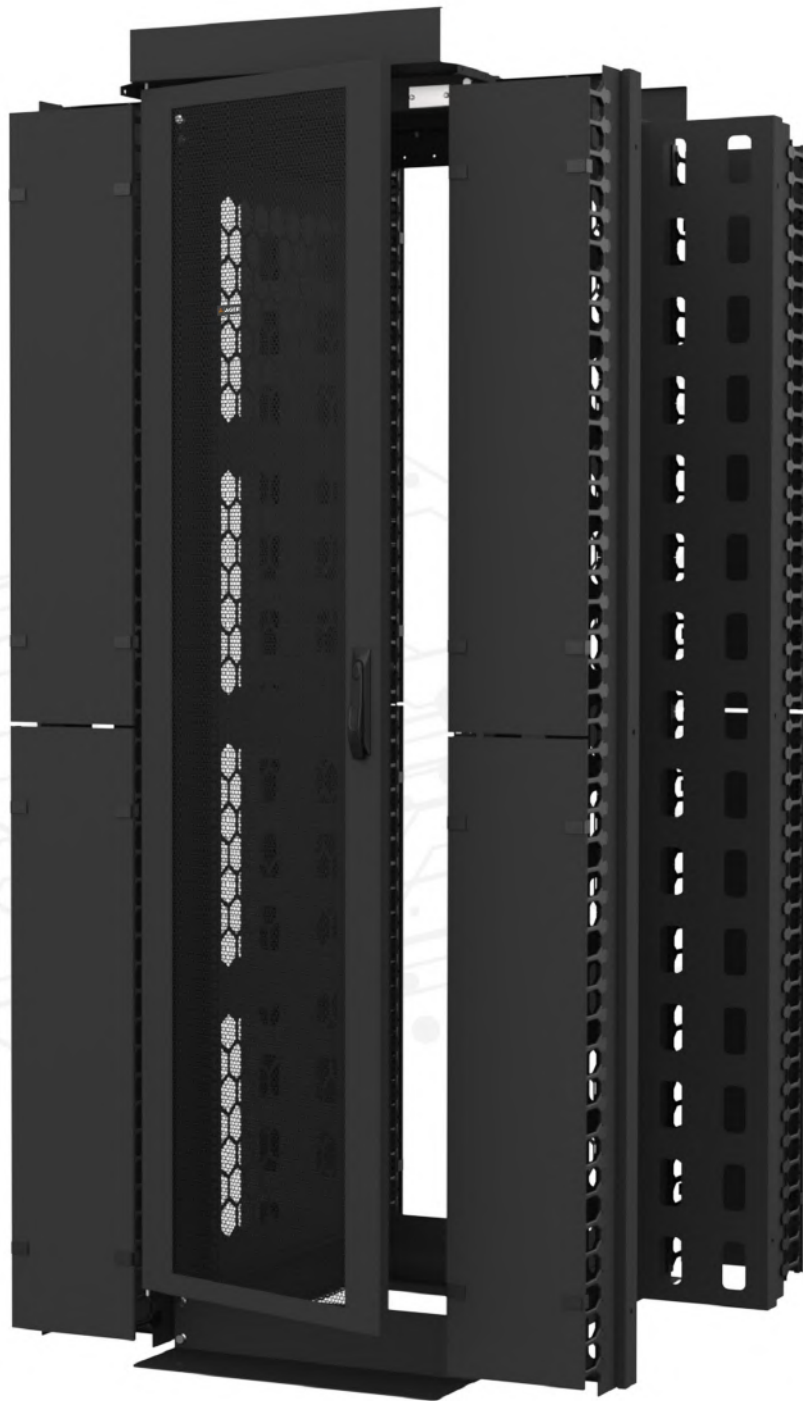


FREE STANDING **OPEN FRAME** SERIES



AGER Open Frame Series suitable solution for maximum cabling and networking infrastructure, Offers a more economical solution compared to the closed cabinet structure flat pack shipping is available.



Color Options

RAL7035 Light Gray

RAL9005 Black



Usage Area

Suitable for use in no need of a closed enclosure due to security climatized and dust-free conditions. Offer easy maintaining and functional structure. Offers a more economical solution compared to the closed cabinet structure.

19" Structure

All 19" devices, accessories and equipment are compatible with the structure.

Economic Solution

It offers a more economical solution than closed rack cabinet structure.

Disassembled Shipment

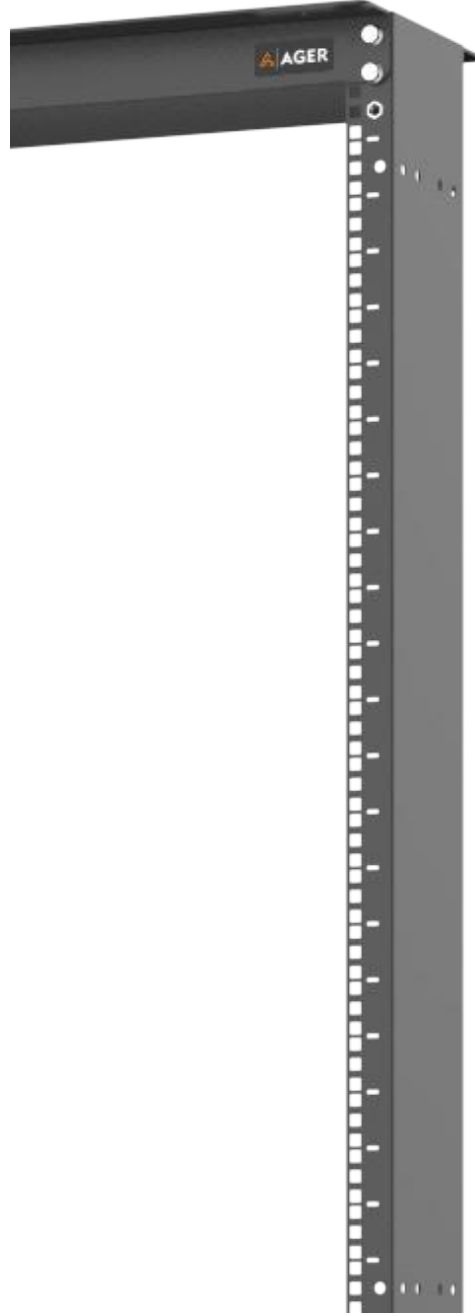
There is an advantage of economical shipment thanks to the disassembled shipment option.

Floor Theme

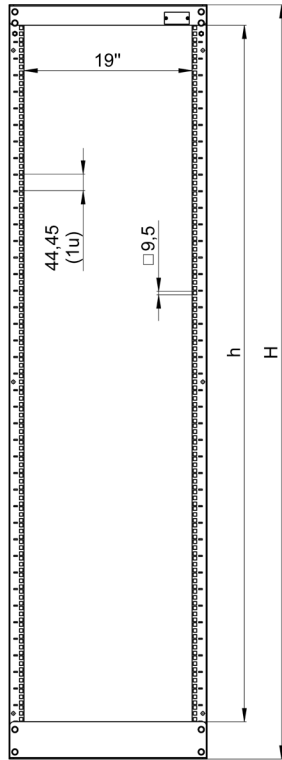
It can be fixed to the floor. Optionally, it can be used with pinion foot and wheel group. In this way, it provides compatibility with all kinds of floor configurations.

Easy Access

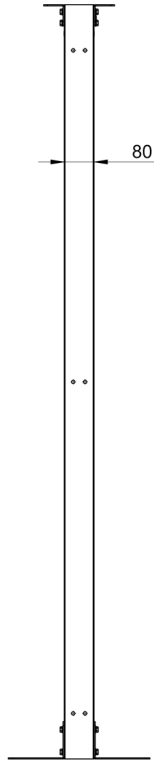
The open structure of all surfaces provides easy access to your devices.



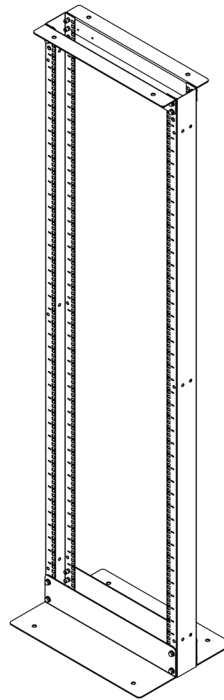
AG-OF42US380



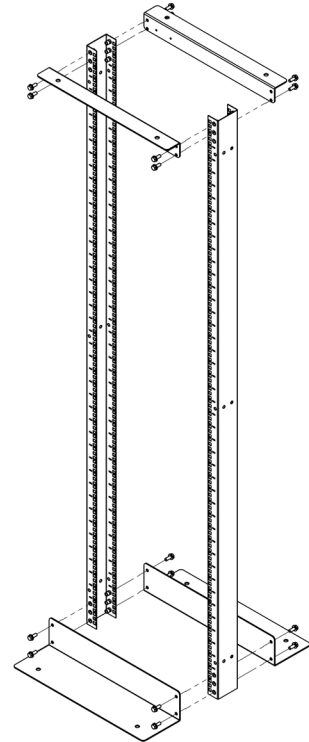
Front View



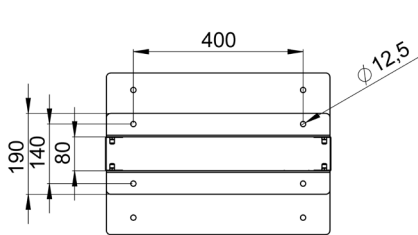
Side View



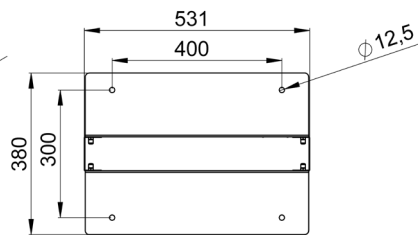
Iso View



Exploded View



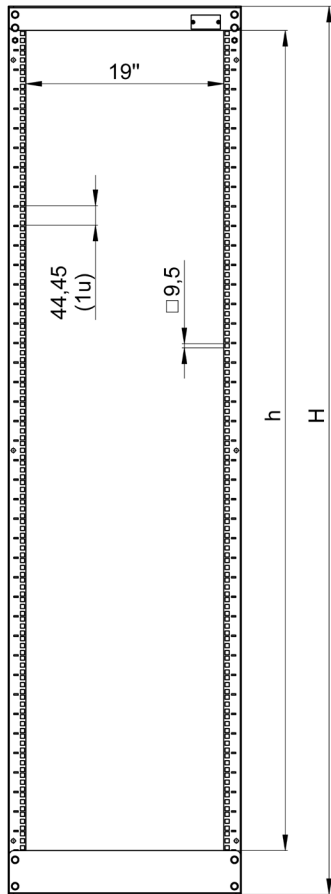
Top View



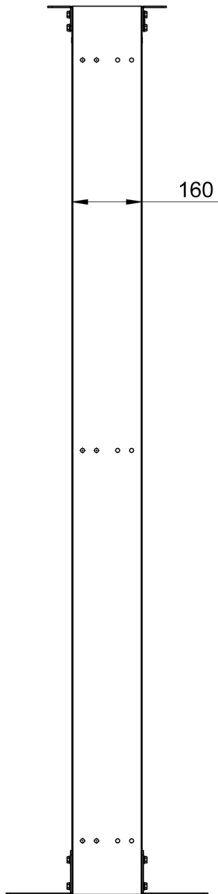
Bottom View



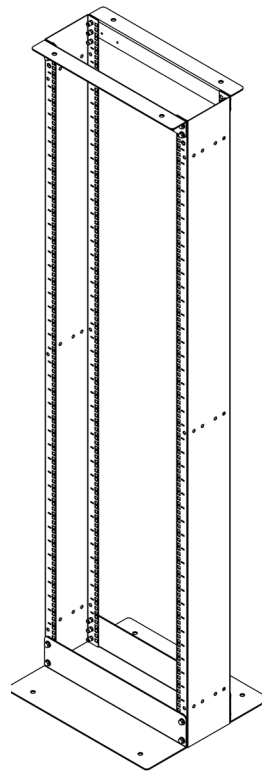
AG-OF42US460-S1



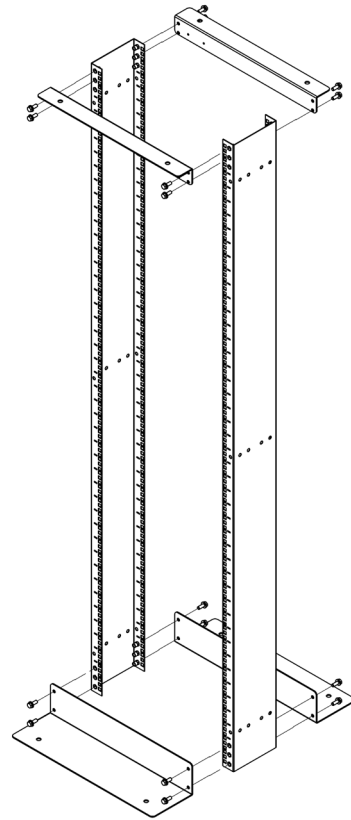
Front View



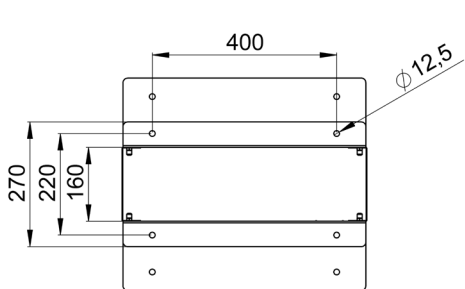
Side View



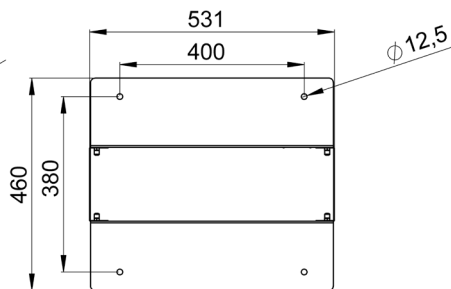
Iso View



Exploded View



Top View



Bottom View



19" Open Frame Single Frame

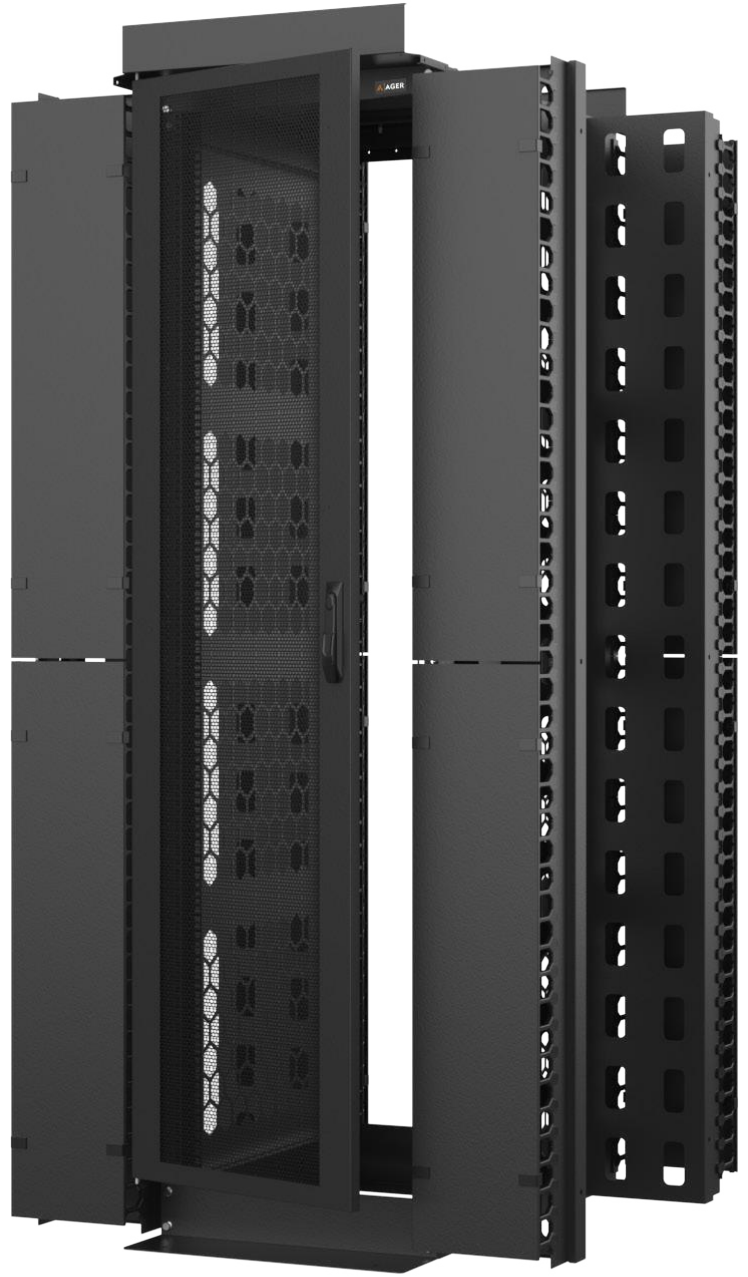
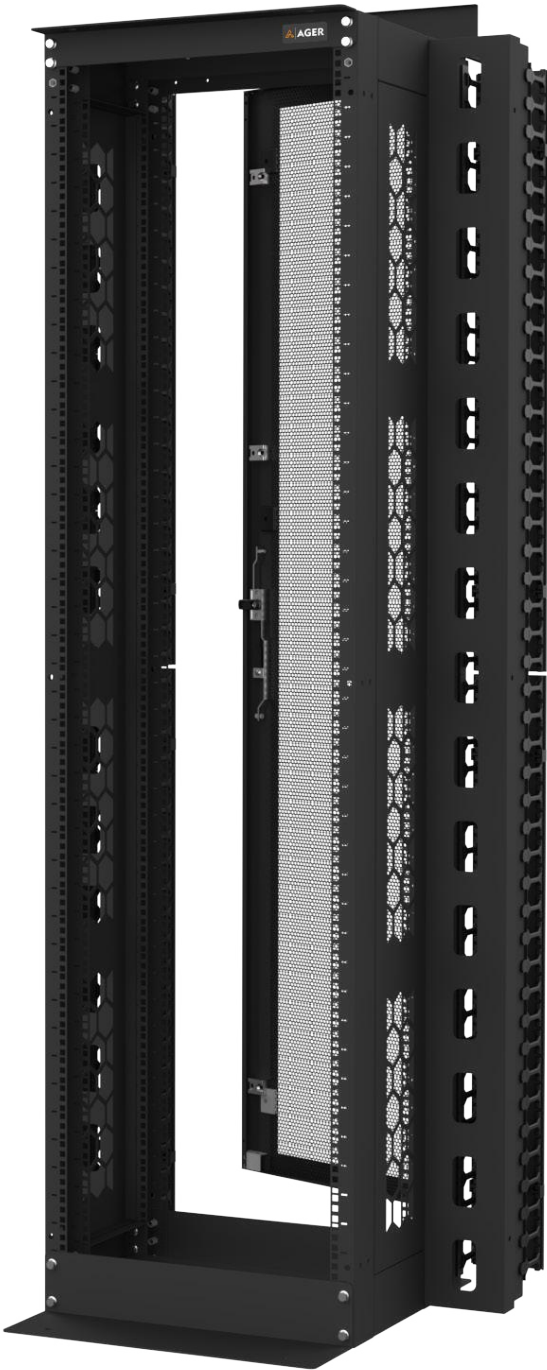
Product Code	Product Description	Çocuk (U)	Width (W) (mm)	Depth (D) (mm)	Height (H) (mm)	Weight (Net) (kg)	Weight (Gross) (kg)
AG-OF36US380-XX-YY	36U D=80mm Open Frame Single Frame D=380mm	36U	530	380	1756	22,5	23,5
AG-OF42US380-XX-YY	42U D=80mm Open Frame Single Frame D=380mm	42U	530	380	2022	23,5	24
AG-OF45US380-XX-YY	45U D=80mm Open Frame Single Frame D=380mm	45U	530	380	2155	24,1	25,6
AG-OF48US380-XX-YY	48U D=80mm Open Frame Single Frame D=380mm	48U	530	380	2289	24,7	26,2
AG-OF36US460-XX-YY	36U D=160mm Open Frame Single Frame D=460mm	36U	530	460	1756	26,5	27,4
AG-OF42US460-XX-YY	42U D=160mm Open Frame Single Frame D=460mm	42U	530	460	2022	28,5	29,5
AG-OF45US460-XX-YY	45U D=160mm Open Frame Single Frame D=460mm	45U	530	460	2155	29,5	30,8
AG-OF48US460-XX-YY	48U D=160mm Open Frame Single Frame D=460mm	48U	530	460	2289	30,5	32

XX = Color Code, B1 White refers to RAL 7035, S1 Black refers to RAL 9005, this information should be conveyed to the representative at the order stage.
YY = M1 is used for assembled shipment and D1 is used for disassembled shipment.

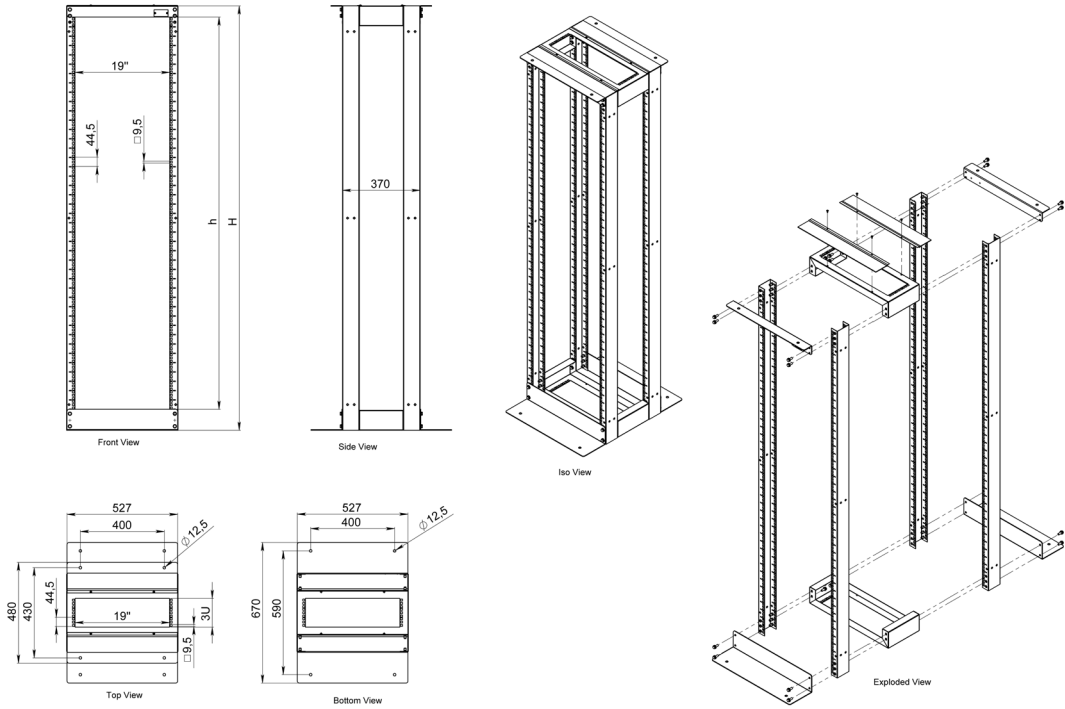


AGER

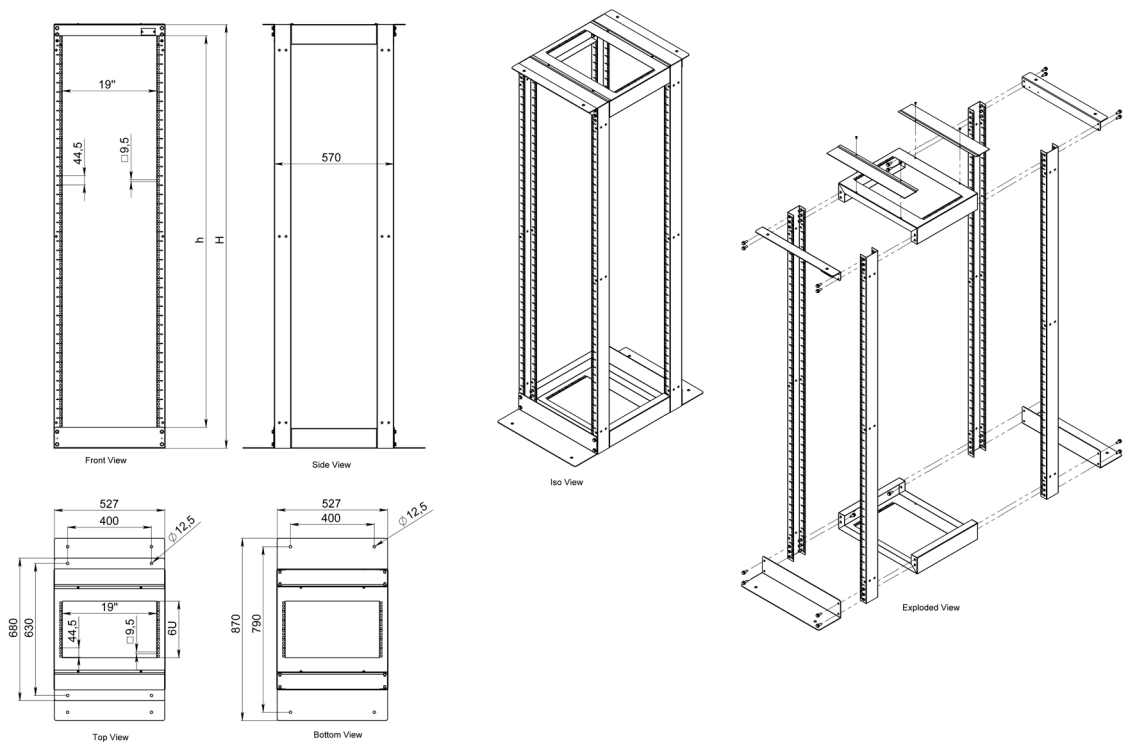
FREE STANDING **OPEN FRAME** SERIES



AG-OF42UDD670

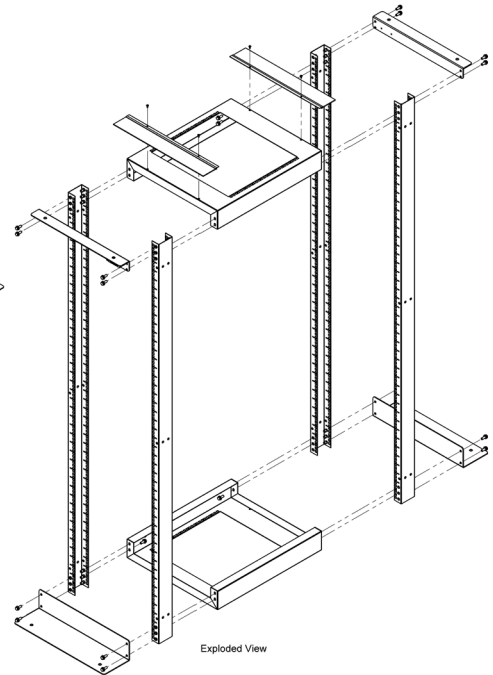
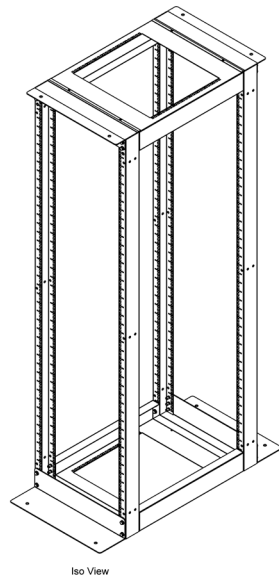
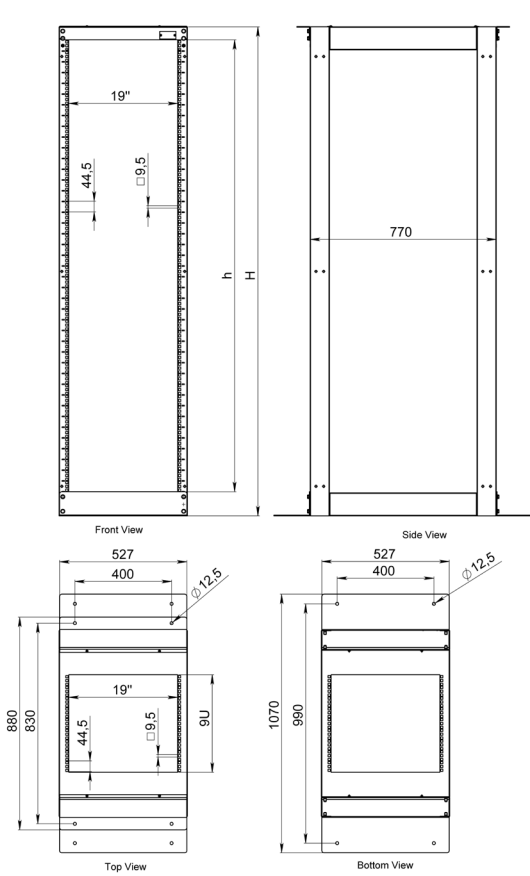


AG-OF42UDD870





AG-OF42UDD1070





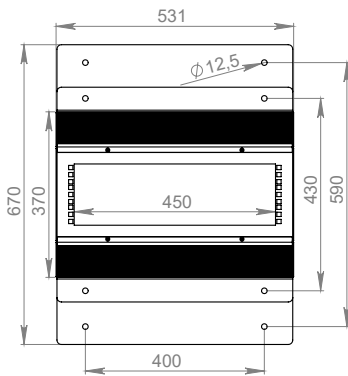
19" Open Frame Double Frame

Product Code	Product Description	Çocuk (U)	Width (W) (mm)	Depth (D) (mm)	Height (H) (mm)	Weight (Net) (kg)	Weight (Gross) (kg)
AG-OF36UD670-XX-YY	36U D=80mm Open Frame Double Frame D=670mm	36U	530	670	1756	30,5	31,4
AG-OF42UD670-XX-YY	42U D=80mm Open Frame Double Frame D=670mm	42U	530	670	2022	32,5	33,5
AG-OF45UD670-XX-YY	45U D=80mm Open Frame Double Frame D=670mm	45U	530	670	2155	33,5	34,8
AG-OF48UD670-XX-YY	48U D=80mm Open Frame Double Frame D=670mm	48U	530	670	2289	34,5	35,4
AG-OF36UD870-XX-YY	36U D=80mm Open Frame Double Frame D=870mm	36U	530	870	1756	34,5	35,4
AG-OF42UD870-XX-YY	42U D=80mm Open Frame Double Frame D=870mm	42U	530	870	2022	36,5	37,5
AG-OF45UD870-XX-YY	45U D=80mm Open Frame Double Frame D=870mm	45U	530	870	2155	37,5	38,8
AG-OF48UD870-XX-YY	48U D=80mm Open Frame Double Frame D=870mm	48U	530	870	2289	38,5	39,5
AG-OF36UD1070-XX-YY	36U D=80mm Open Frame Double Frame D=1070mm	36U	530	1070	1756	38,5	39,4
AG-OF42UD1070-XX-YY	42U D=80mm Open Frame Double Frame D=1070mm	42U	530	1070	2022	40,5	41,5
AG-OF45UD1070-XX-YY	45U D=80mm Open Frame Double Frame D=1070mm	45U	530	1070	2155	41,5	42,8
AG-OF48UD1070-XX-YY	48U D=80mm Open Frame Double Frame D=1070mm	48U	530	1070	2289	42,5	43,5

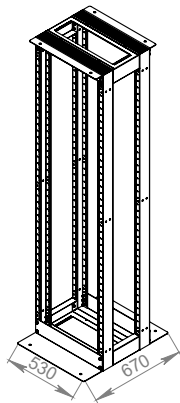
XX = Color Code, B1 White refers to RAL 7035, S1 Black refers to RAL 9005, this information should be conveyed to the representative at the order stage.
YY = M1 is used for assembled shipment and D1 is used for disassembled shipment.



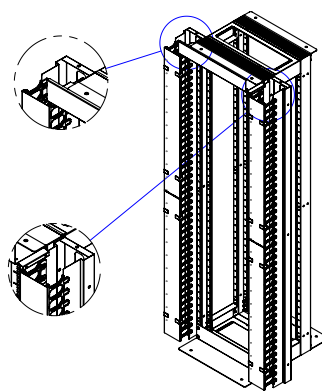
Top View D:670 mm



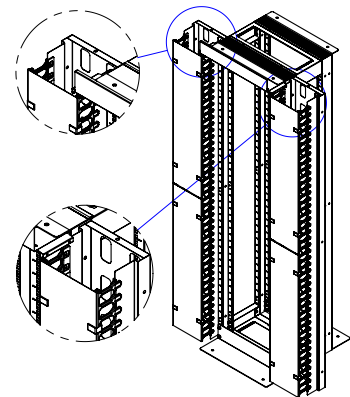
Isometric View D:670 mm



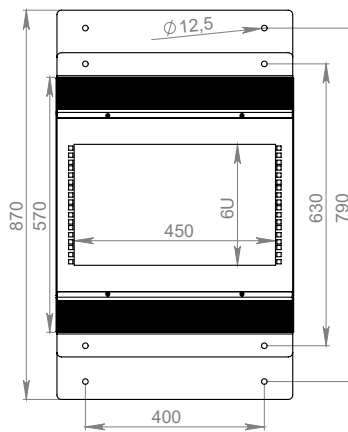
W:135 mm Finger Cable Management



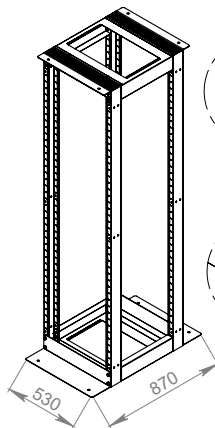
W:235 mm Finger Cable Management



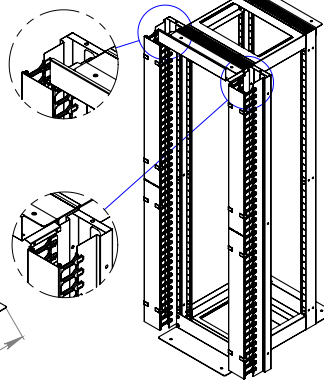
Top View D:870 mm



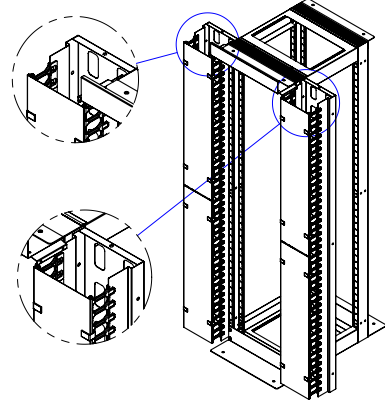
Isometric View D:870 mm



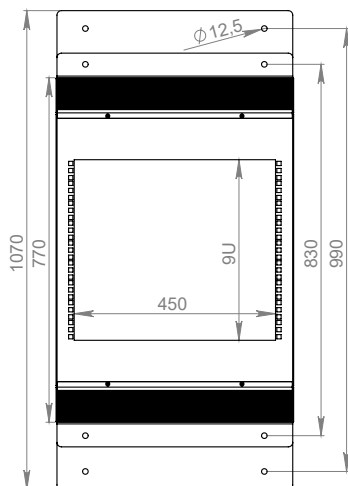
W:135 mm Finger Cable Management



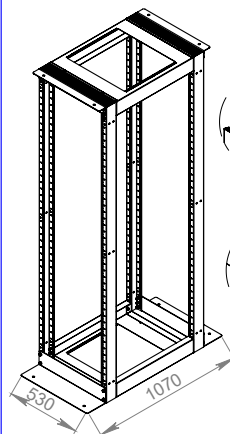
W:235 mm Finger Cable Management



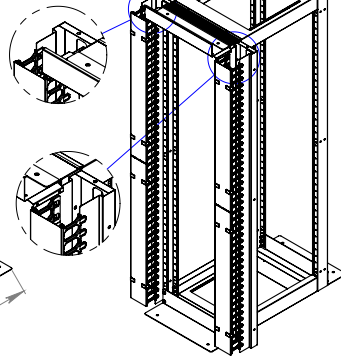
Top View D:1070 mm



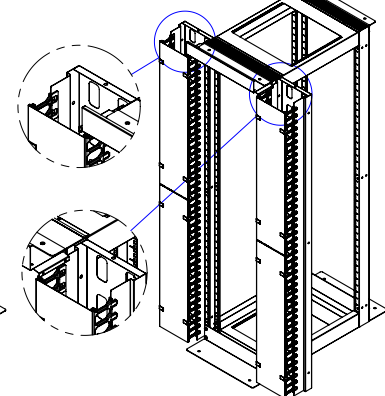
Isometric View D:1070 mm



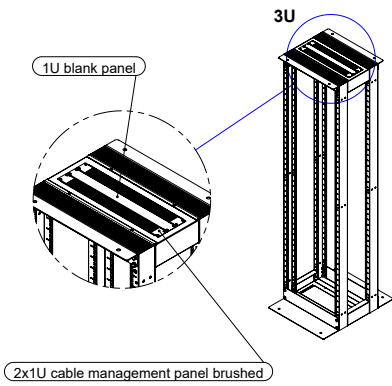
W:135 mm Finger Cable Management



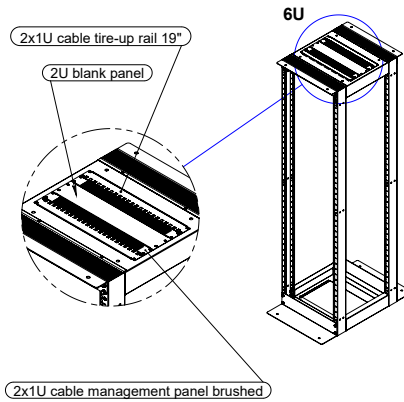
W:235 mm Finger Cable Management



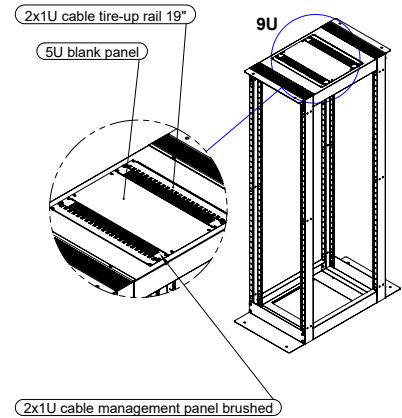
Using 3U 19" provision on the top for accessories
(Case Study)



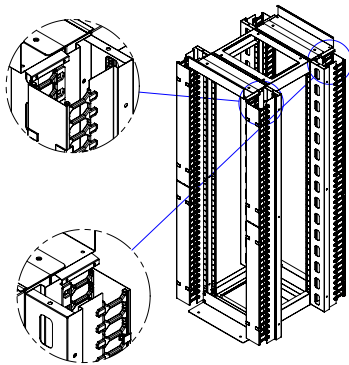
Using 6U 19" provision on the top for accessories
(Case Study)



Using 9U 19" provision on the top for accessories
(Case Study)

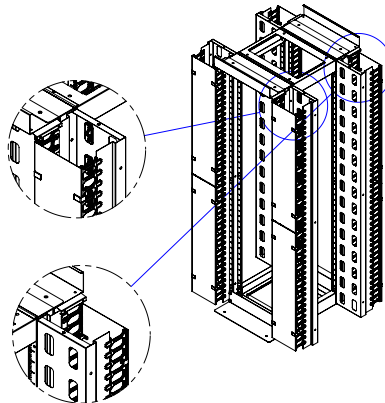


W:135 mm Finger Style Cable Manager



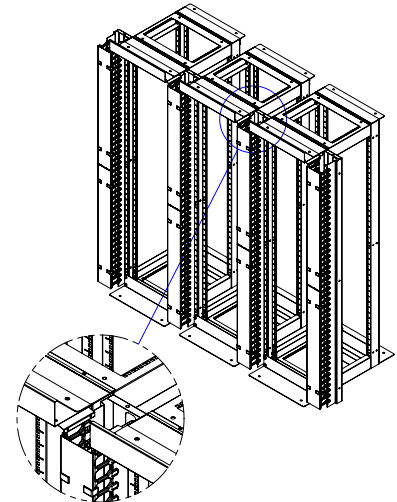
Possible to integrate to all 4 vertical posts of frame unit

W:235 mm Finger Style Cable Manager

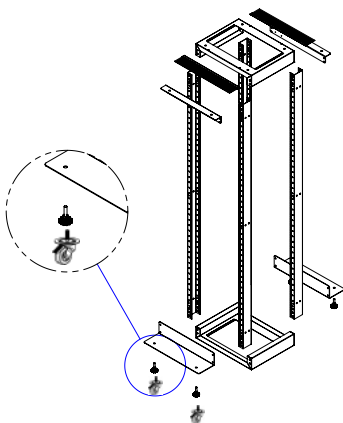


Possible to integrate to all 4 vertical posts of frame unit

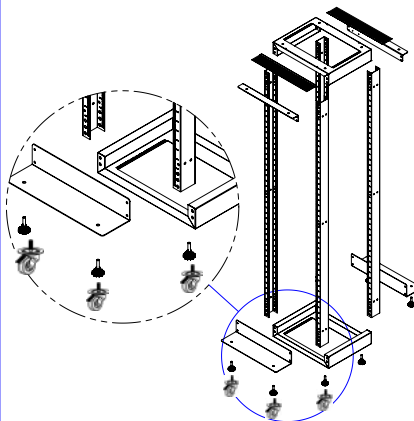
Using Finger Style Cable Manager as a common cable manager for side by side stacked frame



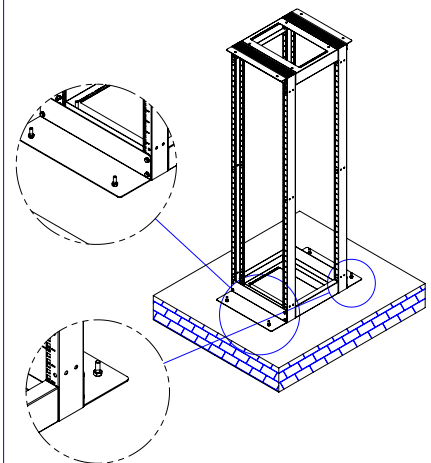
Integration of Leveling Feet / Caster Set



Integration of additional Leveling Feet for increasing Loading capacity without fixing frame to the floor

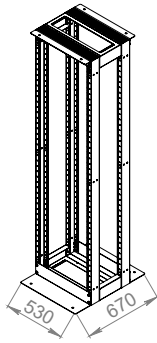


Fixing of Frame to the floor

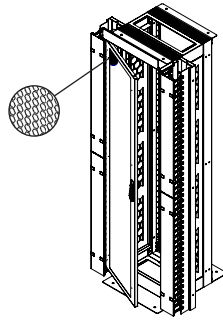




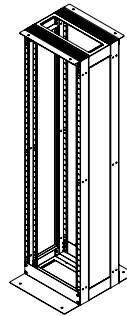
Isometric View D:670 mm



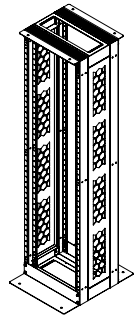
%63 Perforated
Front/Rear door application



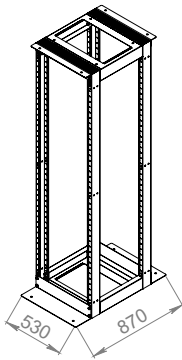
Solid side panel application



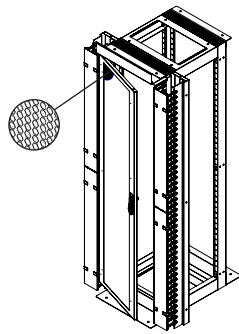
52 mm sized honeycomb
Side panel for airflow



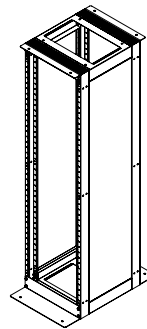
Isometric View D:870 mm



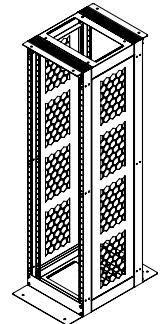
%63 Perforated
Front/Rear door application



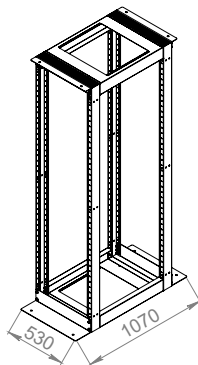
Solid side panel application



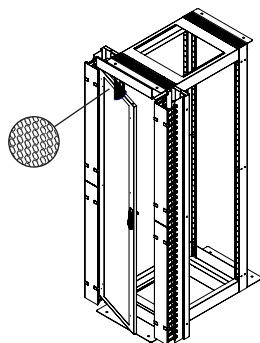
52 mm sized honeycomb
Side panel for airflow



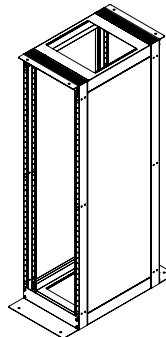
Isometric View D:1070 mm



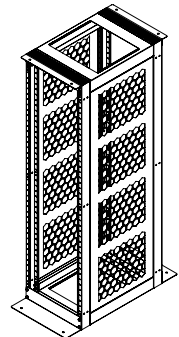
%63 Perforated
Front/Rear door application

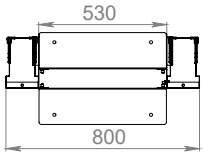


Solid side panel application



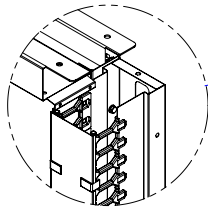
52 mm sized honeycomb
Side panel for airflow



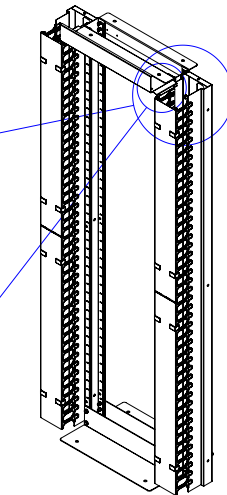
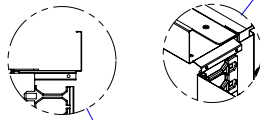


BOTTOM VIEW

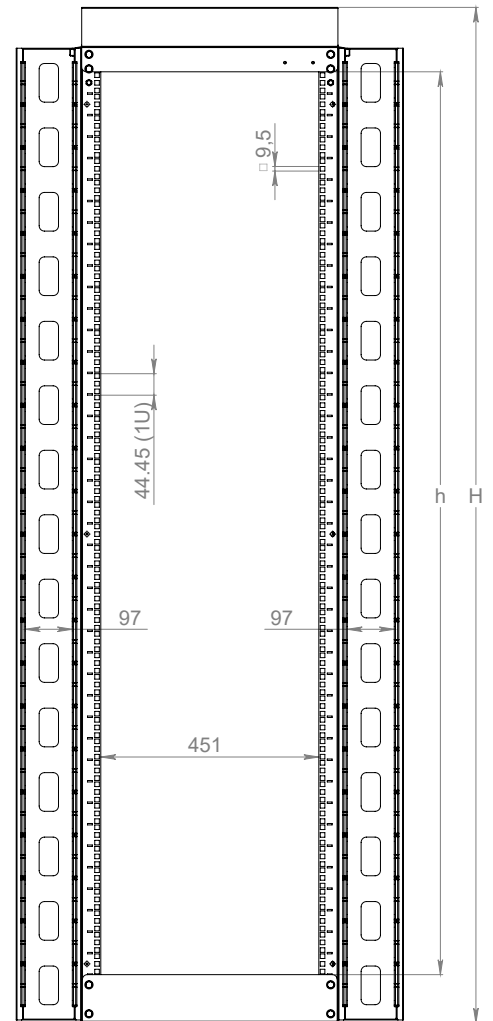
2U plastic cable organizer



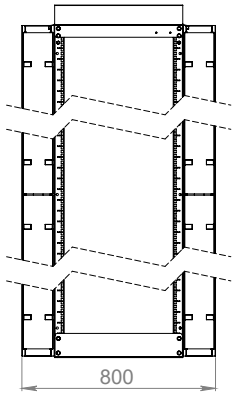
Top cable through header unit



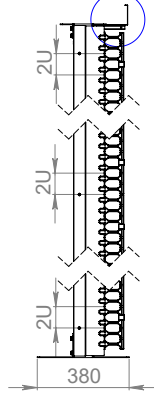
ISOMETRIC VIEW



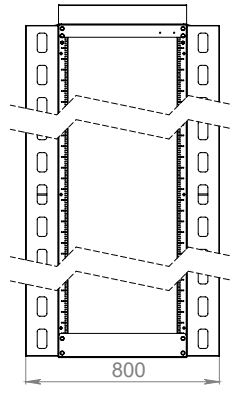
DIMENSIONS IN WIDTH AND HEIGHT



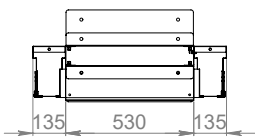
FRONT VIEW



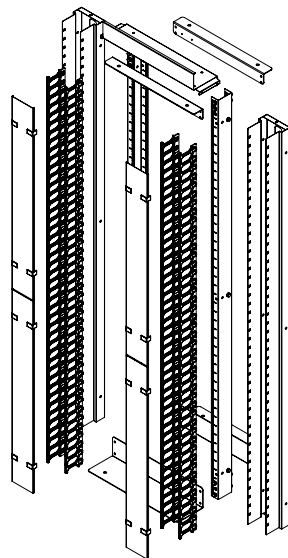
SIDE VIEW



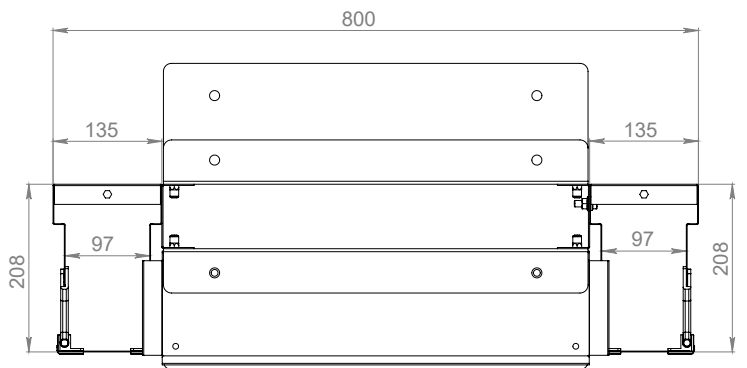
REAR VIEW



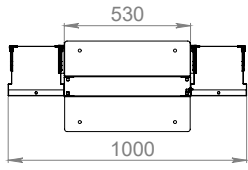
TOP VIEW



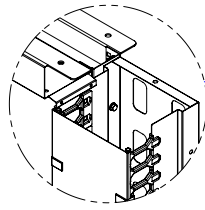
EXPLODED VIEW



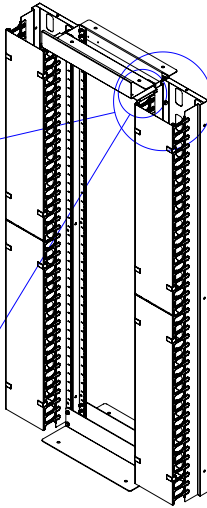
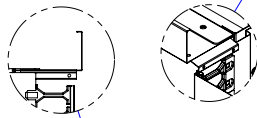
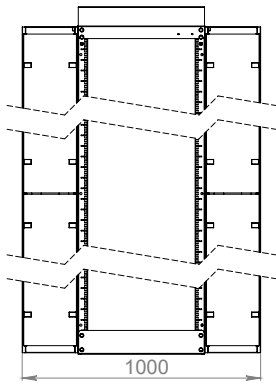
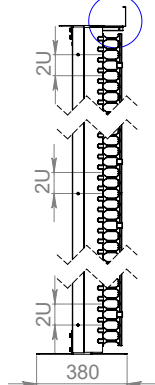
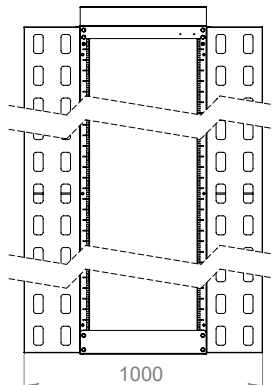
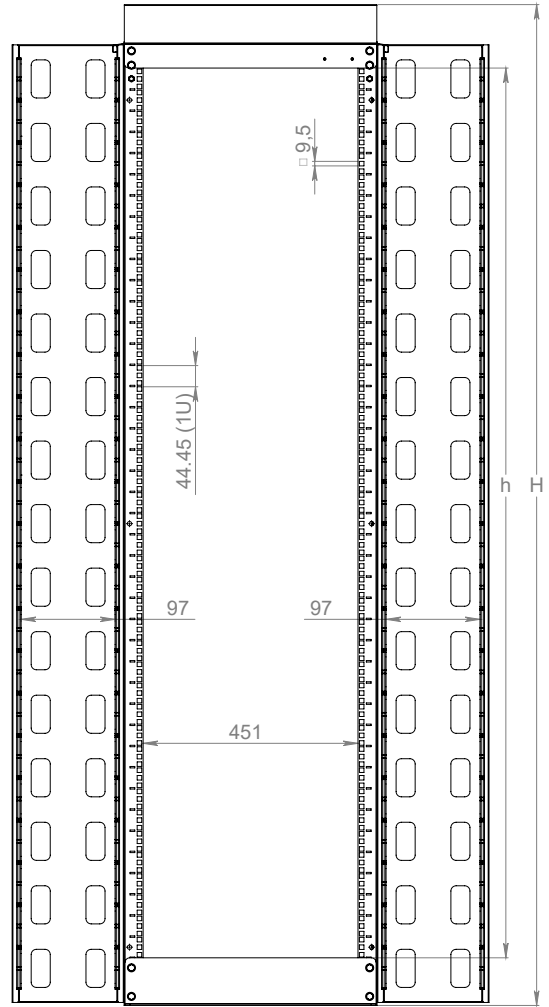
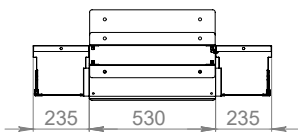
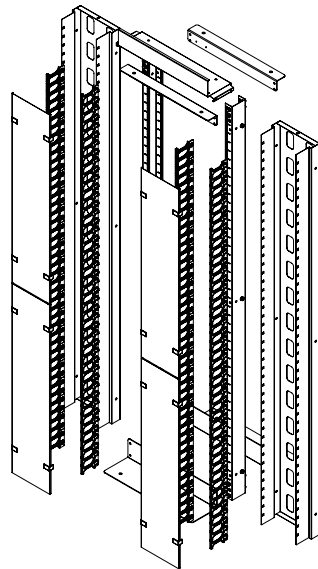
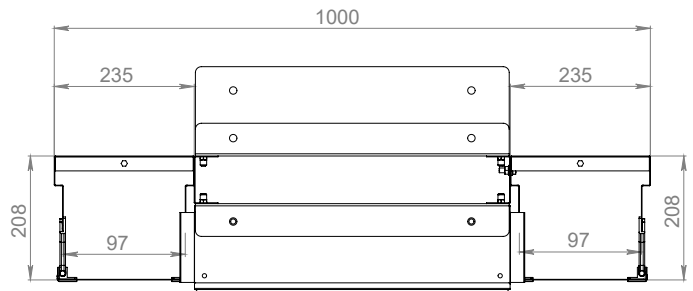
TOP VIEW DIMENSIONS

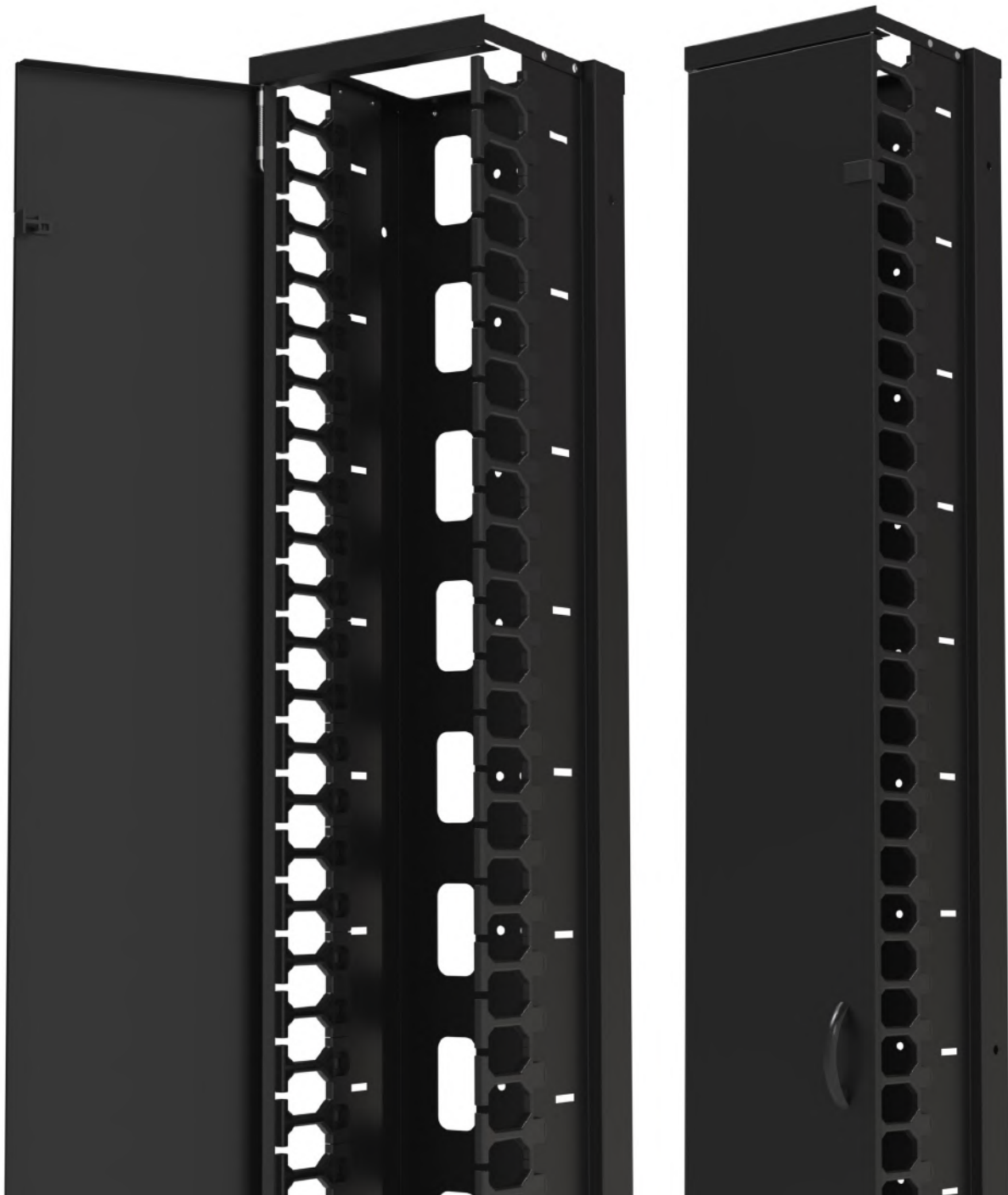

BOTTOM VIEW

2U plastic cable organizer



Top cable through header unit


ISOMETRIC VIEW

FRONT VIEW

SIDE VIEW

REAR VIEW

DIMENSIONS IN WIDTH AND HEIGHT

TOP VIEW

EXPLODED VIEW

TOP VIEW DIMENSIONS



OUTDOOR FREE STANDING FINGER ORGANIZER

Product Code	Product Description
OP-FORS42U-A-B1	42U OUTDOOR FREE STANDING FINGER ORGANIZER W-800