

FREE STANDING **VEGA BASE** SERIES



AGER Vega Basa Series cabinet; designed for data centers, system rooms and telecommunication. They are the appropriate solution for your heavy equipment with strong structure.



Color Options

RAL7035 Light Grey

RAL9005 Black



Cabinet Structure

Vega series cabinets reach the maximum strength with 45-degree vertical profiles fixed to the solid bottom and top frame with steel screws. An ideal solution for your heavy equipment with up to 600kg loading capacity because of special designed 7 bent surfaces of corner profiles. Also, cabinets own a modular structure. The cabinets could be mounted side by side.

They are network and server cabinets; suitable for office, system room, data centre, and cabling system installation. Compatible for all kind of 19" brands and models network and server equipments.

During installation and while conducting routine maintenance and repair of installed equipment; removable side panels, rear door and the top plate allows to multiple easy access. Optimum depth for comfort cabling, server housing and equipment in the cabinets.

Side panels, Front and rear doors are lockable and accessible with the same key. Front and rear doors could be detached and reversed to allow the door to open from the rear of the cabinet.





Levelling Feet and Castors

Four levelling feet mounted to the bottom corner of the cabinet helps to adjust cabinet height and stability according to the ground condition. Castor set -2 castors with brakes is optionally.

Side Horizontal Support Bar

Cabinets are supported by side horizontal support bar through depth and height directly proportional.



Top and Bottom Cable Entry

600-width cabinets' bottom plate has 250*300 slide cable entry hall with rubber edge. This module allows the maximum cable entries to the cabinet without any damage and ensures protection against dust and substances ingress.

For 600 mm width and 600 mm depth cabinets, there is no cable entry at the top plate. Depth of 800mm and above, there is one 70*316mm brushed cable entry at the top plate located centre of the rear.

In 800-width cabinets; in addition to the 600-width standard cabinets, the bottom plate and top plate of the cabinet have two 70mm * 316mm sized brushed cable entry holes for each. If required configuration can be changed. Please check the technical data page for the cable entries.



U Numbering

U numbering is printed with serigraphy to the mounting rails of the cabinet which helps to index of the devices housed in the cabinet.



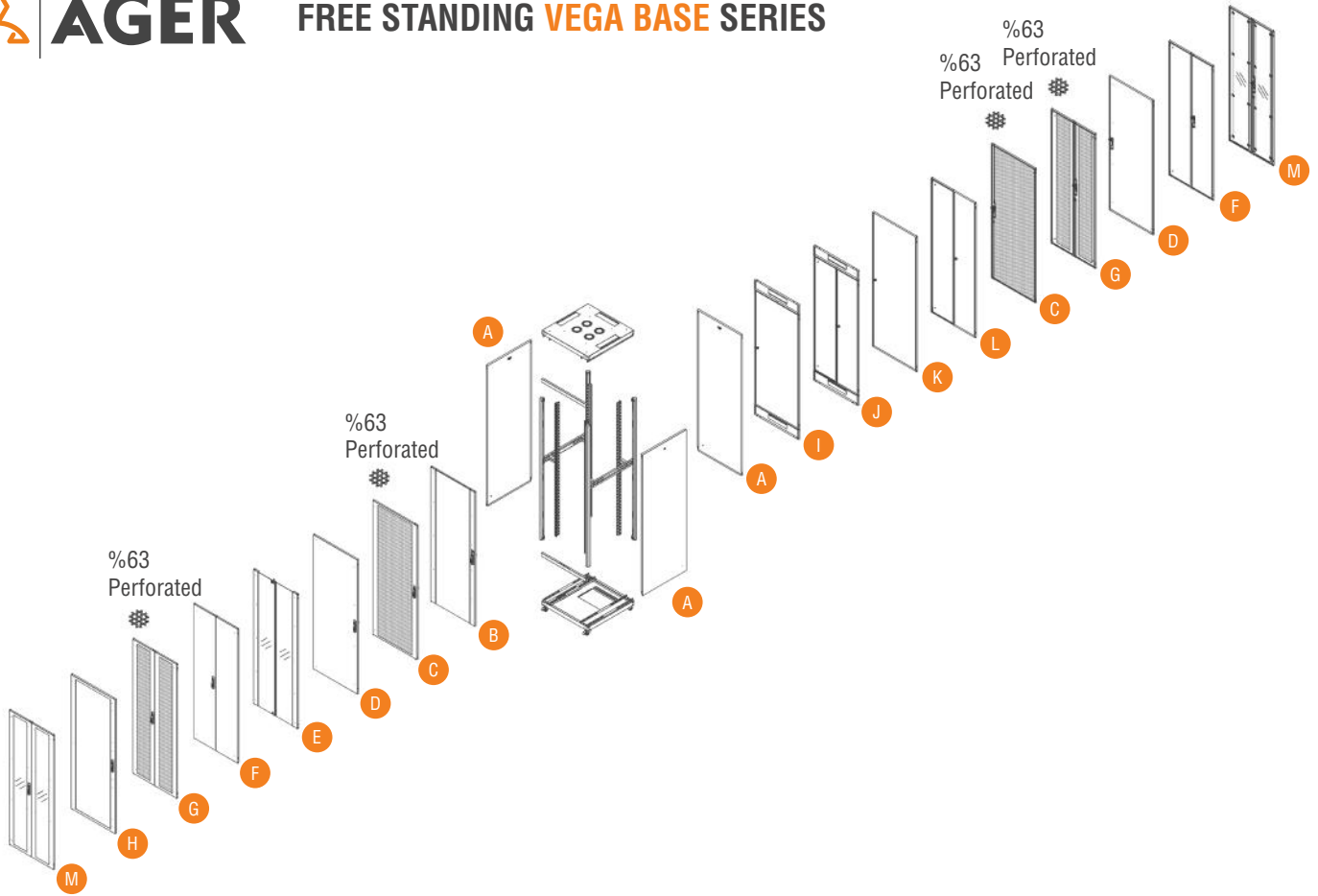
Additional Side Panels

In cabinets with a depth of 1000mm and above, additional side panels are fixed from the inside of the cabinet, increasing the strength of the cabinet and creating space inside for the cabling and PDU. This cover can be done as perforated if additional ventilation is required in the cabinet.

Side Panels

The side panel model of VEGA series cabinets allows easy removal of side panels during assembly, maintenance and repair. The cylindrical locking mechanism is used on the panels.





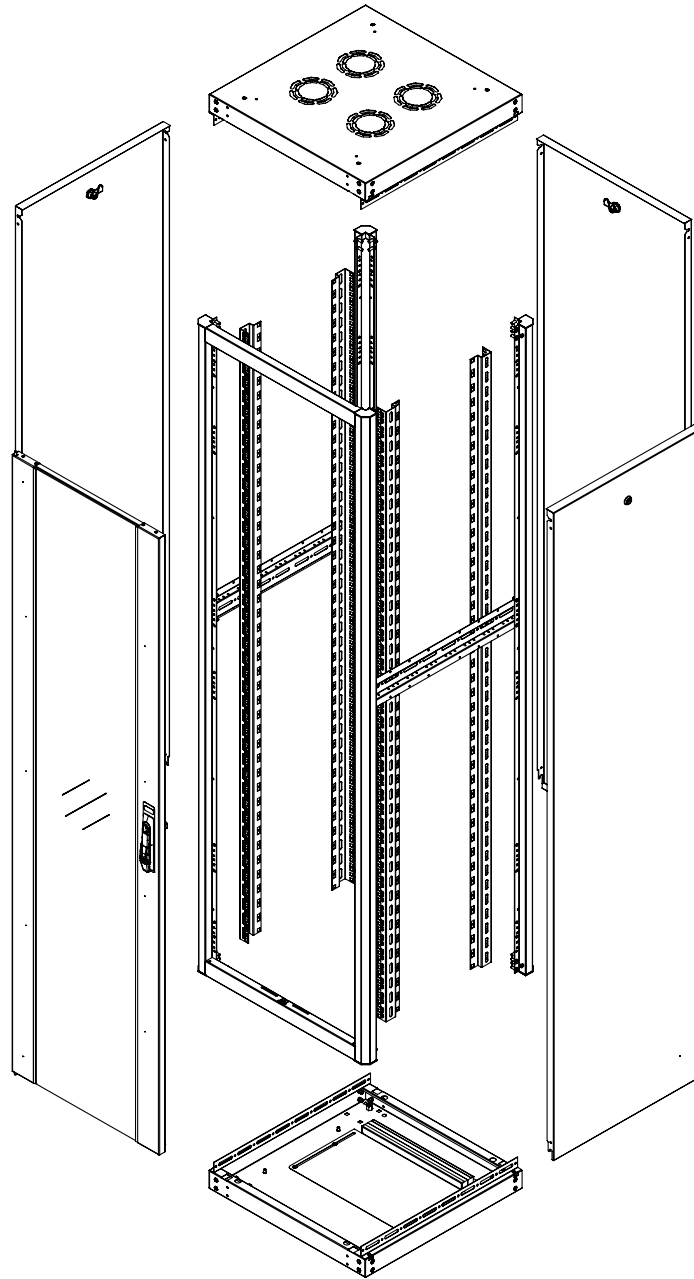
AG	VB	42U	60	60	S1	B	A	A	A	A	M1
1	2	3	4	5	6	7	8	9	10	11	12

1. Company product coding system's initial character is AG that stands for AGER.
2. Product Series Code. VB stands for VEGA BASE Free-Standing,
3. Numeric Character defining the height of the cabinet. Depending on model differences, between 12 to 47 height variety available. U Height Alfanumeric Notation is fixed, not editable. 1U is 44.45mm.
4. The First two Digits of the width information. 60 for W:600mm cabinets, 80 for W:800mm cabinets
5. The First two Digits of the depth information, 60 for D:600mm cabinets, 80 for D:800mm cabinets, 10 for D:1000mm cabinets,
6. Colour Codes. B1 for Light Gray RAL 7035. S1 for Black RAL 9005.
7. Front door variation number.*
8. Rear door variation number*
9. Right Side Panel variation number.*
10. Left Side Panel variation number..
11. Version information. A- Standart version. The version is changed alphabetically when any alteration made to the cabinet
12. Indicate how the cabinets' shipped. M1 for assembled, D1 for flat pack.

* YOU CAN CHECK THE DOOR OPTIONS FOR DOOR AND PANEL VARITIONS...

Free Standing VEGA BASE Series DOOR Options

- A Single Opening, Flat Shaped, Solid Metal, Snap Locking and Single point Locking with Barrel Lock, Panel.
- B Single Opening, Flat Shaped, Glass door with frame, Single Point Locking with Handle.
- C Single Opening, Flat Shaped, Complete Framed %63 Perforated, Metal Front Door, Single Point Locking with Handle
- D Single Opening, Flat Shaped, Solid Metal Front Door, Single Point Locking with Handle
- E Double Opening, Flat Shaped, Glass door with frame, 2 Point Locking with Barrel Lock, Top and Bottom
- F Double Opening, Flat Shaped, Solid Metal Front Door, 3 Point Locking with Handle and Hinges
- G Double Opening, Flat Shaped, Complete Framed %63 Perforated, Metal Front Door, 3 Point Locking with Handle and Hinges
- H Single Opening, Flat Shaped, Glass Door with Complete Frame, Single Point Locking with Handle
- I Single Opening, Flat Shaped, Solid Metal Rear Door, Single point Locking with Barrel Lock, Top/Bottom Cable Entry Holes
- J Double Opening, Flat Shaped, Solid Metal Rear Door, 3 Point Locking with Barrel Lock and Hinges, Top/Bottom Cable Entry Holes
- K Single Opening, Flat Shaped, Solid Metal Rear Door, Single Point Locking with Barrel Lock,
- L Double Opening, Flat Shaped, Solid Metal Rear Door, 3 Point Locking with Barrel Lock and Hinges
- M Double Opening, Flat Shaped, Glass door with frame, Metal Front door 3 Point Locking with Handle and Hinges



Material

- 1.2 mm DKP

IP Classification

- As a standard IP20
- IP40 when solid metal panel applied for all access

Color Options

- RAL9005 Black
- RAL7035 White

Loading Capacity

- Recommended up to 600 kg Loading capacity

Doors

- Door options are available.
- Single point locking system
- Doors can be opened to 110 degree.
- Doors can be opened to left or right direction

Mounting Rails

- 19" Mounting rails; adjustable in depth of the cabinet
- 1.5mm DX51D galvanic

Side Panels

- Locking system is available, Side panels are removable.

Bottom

- Sliding cable panel

Rear Door

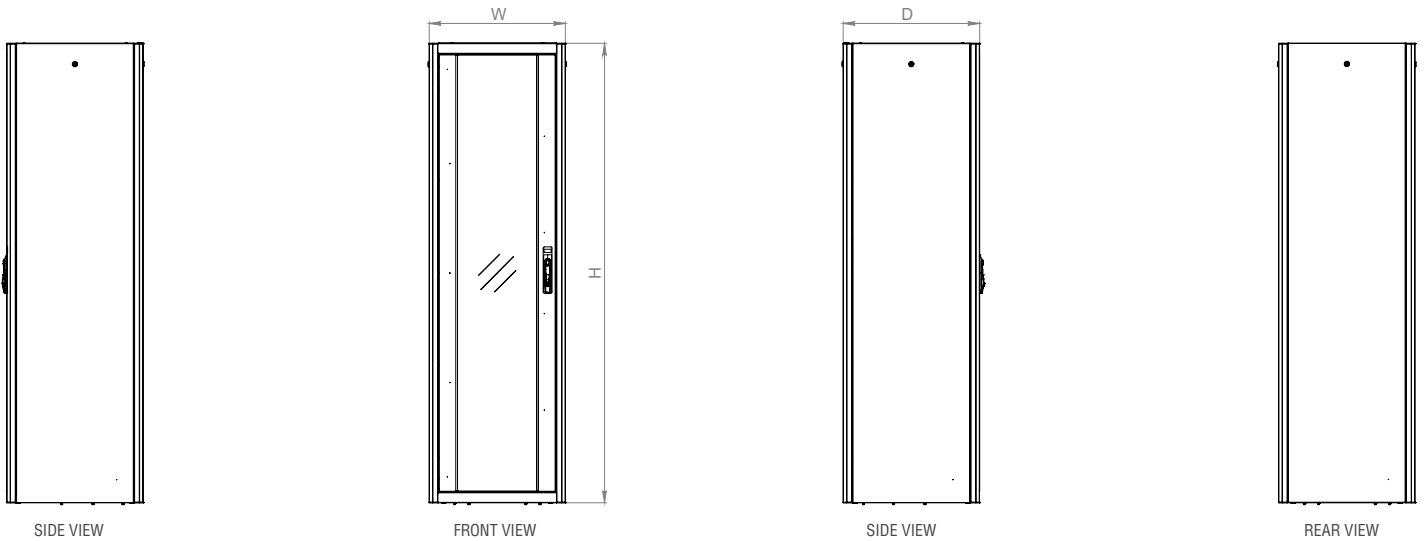
- Rear door is lockable.
- Rear door options are available

Ground contact

- Caster and levelling feet options are available
- Plinth is available as an option.

Top Sheet

- Fan module and Pagoda type top cover are available as an option

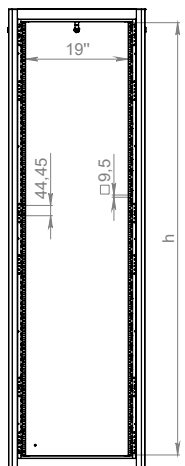


SIDE VIEW

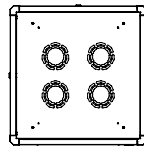
FRONT VIEW

SIDE VIEW

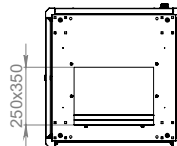
REAR VIEW



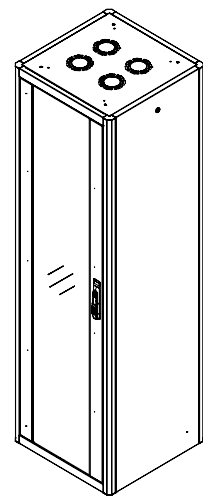
FRONT VIEW WITHOUT DOOR



TOP VIEW



BOTTOM VIEW



ISOMETRIC VIEW

19" Ager Vega Base Free Standing Cabinets W=600mm D=600mm

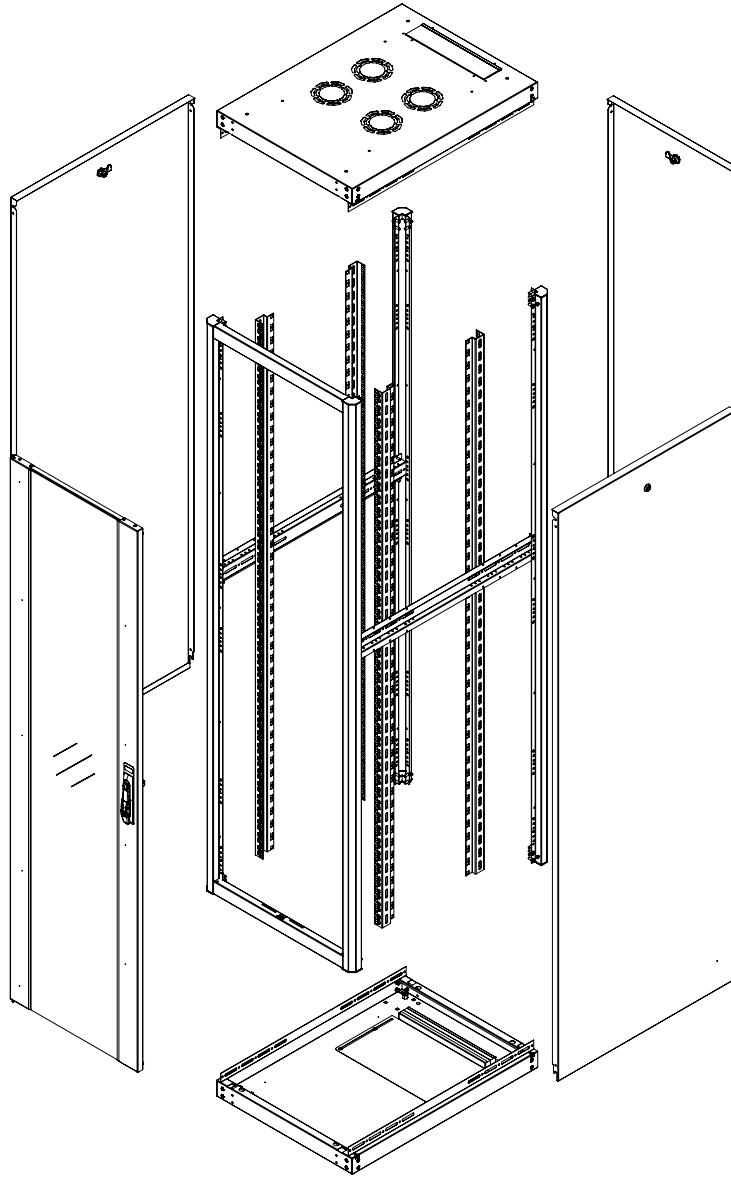
Product Code	Product Description	Height Size in U	Width (w) (mm)	Depth (D) (mm)	Height (H) (mm)	Weight (Net) (kg)	Weight (Gross) (kg)
AG-VB12U6060XX-0000-A-YY	12U 19" Ager Vega Base Free Standing Cabinet W=600mm D=600mm	12U	600	600	653	39,8	47
AG-VB16U6060XX-0000-A-YY	16U 19" Ager Vega Base Free Standing Cabinet W=600mm D=600mm	16U	600	600	831	45	52,6
AG-VB20U6060XX-0000-A-YY	20U 19" Ager Vega Base Free Standing Cabinet W=600mm D=600mm	20U	600	600	1008	49,3	57,3
AG-VB22U6060XX-0000-A-YY	22U 19" Ager Vega Base Free Standing Cabinet W=600mm D=600mm	22U	600	600	1097	52	60,2
AG-VB26U6060XX-0000-A-YY	26U 19" Ager Vega Base Free Standing Cabinet W=600mm D=600mm	26U	600	600	1275	56,8	65,4
AG-VB32U6060XX-0000-A-YY	32U 19" Ager Vega Base Free Standing Cabinet W=600mm D=600mm	32U	600	600	1542	65	74,1
AG-VB36U6060XX-0000-A-YY	36U 19" Ager Vega Base Free Standing Cabinet W=600mm D=600mm	36U	600	600	1719	70,4	79,6
AG-VB42U6060XX-0000-A-YY	42U 19" Ager Vega Base Free Standing Cabinet W=600mm D=600mm	42U	600	600	1986	77,8	88
AG-VB45U6060XX-0000-A-YY	45U 19" Ager Vega Base Free Standing Cabinet W=600mm D=600mm	45U	600	600	2119	81,4	91,9
AG-VB47U6060XX-0000-A-YY	47U 19" Ager Vega Base Free Standing Cabinet W=600mm D=600mm	47U	600	600	2208	86,4	97,1

XX = Colour Code, B1 White RAL 7035, S1 Black RAL 9005, during order please specify the colour choice

Please consider when used levelling feet 30mm add to height, in castor add 80mm.

0000 = Please check the Door Options page.

YY = M1 for pre-assembled, D1 for flat pack.



Material

- 1.2 mm DKP

IP Classification

- As a standard IP20
- IP40 when solid metal panel applied for all access

Color Options

- RAL9005 Black
- RAL7035 White

Loading Capacity

- Recommended up to 600 kg Loading capacity

Doors

- Door options are available.
- Single point locking system
- Doors can be opened to 110 degree.
- Doors can be opened to left or right direction

Mounting Rails

- 19" Mounting rails; adjustable in depth of the cabinet
- 1.5mm DX51D galvanic

Side Panels

- Locking system is available, Side panels are removable.

Bottom

- Sliding cable panel

Rear Door

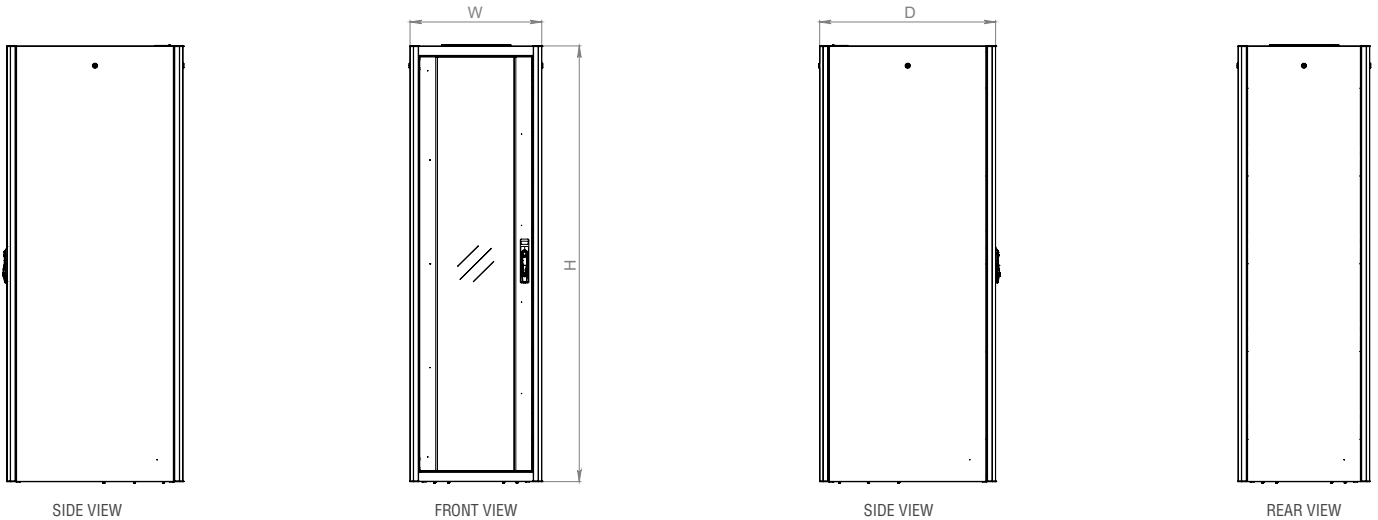
- Rear door is lockable.
- Rear door options are available

Ground contact

- Caster and levelling feet options are available
- Plinth is available as an option.

Top Sheet

- Fan module and Pagoda type top cover are available as an option

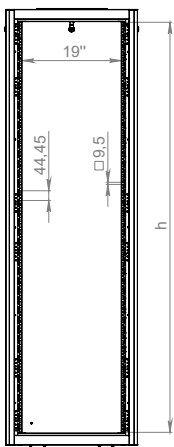


SIDE VIEW

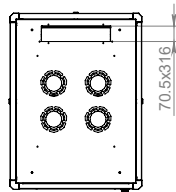
FRONT VIEW

SIDE VIEW

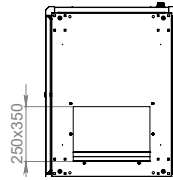
REAR VIEW



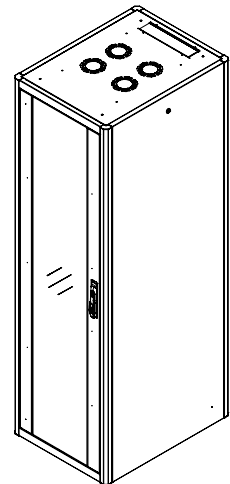
FRONT VIEW WITHOUT DOOR



TOP VIEW



BOTTOM VIEW



ISOMETRIC VIEW

19" Ager Vega Base Free Standing Cabinets W=600mm D=800mm

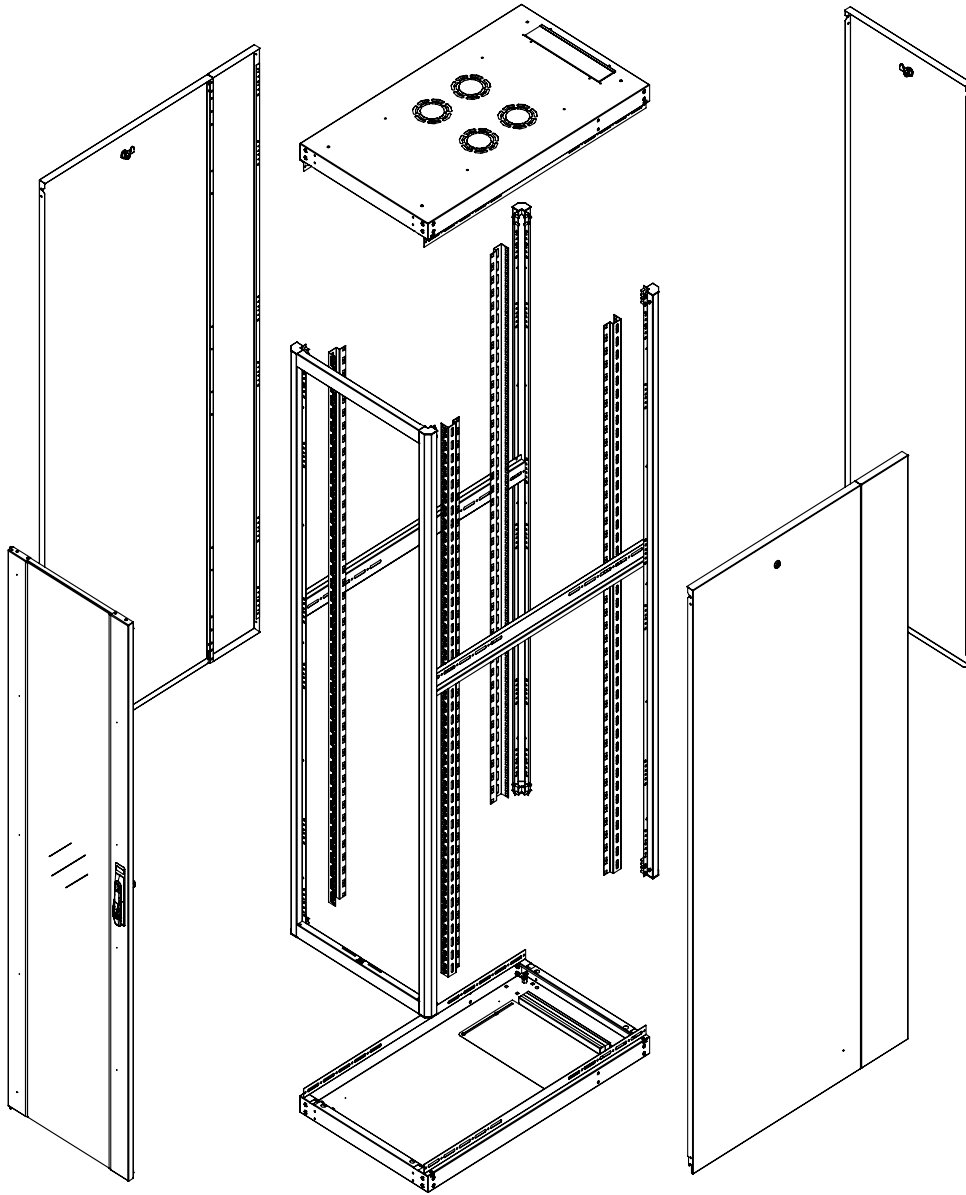
Product Code	Product Description	Product Description	Height Size in U	Width (w) (mm)	Depth (D) (mm)	Height (H) (mm)	Weight (Net) (kg)	Weight (Gross) (kg)
AG-VB12U6080XX-0000-A-YY	12U 19" Ager Vega Base Free Standing Cabinet W=600mm D=800mm	12U 19" Ager Vega Base Free Standing Cabinet W=600mm D=800mm	12U	600	800	653	46,2	53,6
AG-VB16U6080XX-0000-A-YY	16U 19" Ager Vega Base Free Standing Cabinet W=600mm D=800mm	16U 19" Ager Vega Base Free Standing Cabinet W=600mm D=800mm	16U	600	800	831	52	59,9
AG-VB20U6080XX-0000-A-YY	20U 19" Ager Vega Base Free Standing Cabinet W=600mm D=800mm	20U 19" Ager Vega Base Free Standing Cabinet W=600mm D=800mm	20U	600	800	1008	59,6	65,2
AG-VB22U6080XX-0000-A-YY	22U 19" Ager Vega Base Free Standing Cabinet W=600mm D=800mm	22U 19" Ager Vega Base Free Standing Cabinet W=600mm D=800mm	22U	600	800	1097	62,6	68,2
AG-VB26U6080XX-0000-A-YY	26U 19" Ager Vega Base Free Standing Cabinet W=600mm D=800mm	26U 19" Ager Vega Base Free Standing Cabinet W=600mm D=800mm	26U	600	800	1275	64,7	73,8
AG-VB32U6080XX-0000-A-YY	32U 19" Ager Vega Base Free Standing Cabinet W=600mm D=800mm	32U 19" Ager Vega Base Free Standing Cabinet W=600mm D=800mm	32U	600	800	1542	74	83,9
AG-VB36U6080XX-0000-A-YY	36U 19" Ager Vega Base Free Standing Cabinet W=600mm D=800mm	36U 19" Ager Vega Base Free Standing Cabinet W=600mm D=800mm	36U	600	800	1719	80,1	90,4
AG-VB42U6080XX-0000-A-YY	42U 19" Ager Vega Base Free Standing Cabinet W=600mm D=800mm	42U 19" Ager Vega Base Free Standing Cabinet W=600mm D=800mm	42U	600	800	1986	87,7	98,7
AG-VB45U6080XX-0000-A-YY	45U 19" Ager Vega Base Free Standing Cabinet W=600mm D=800mm	45U 19" Ager Vega Base Free Standing Cabinet W=600mm D=800mm	45U	600	800	2119	91,9	103,3
AG-VB47U6080XX-0000-A-YY	47U 19" Ager Vega Base Free Standing Cabinet W=600mm D=800mm	47U 19" Ager Vega Base Free Standing Cabinet W=600mm D=800mm	47U	600	800	2208	105	116,9

XX = Colour Code, B1 White RAL 7035, S1 Black RAL 9005, during order please specify the colour choice

Please consider when used levelling feet 30mm add to height, in castor add 80mm.

0000 = Please check the Door Options page.

YY = M1 for pre-assembled, D1 for flat pack.



Material

- 1.2 mm DKP

IP Classification

- As a standard IP20
- IP40 when solid matel panel applied for all access

Color Options

- RAL9005 Black
- RAL7035 White

Loading Capacity

- Recommended up to 600 kg Loading capacity

Doors

- Door options are available.
- Single point locking system
- Doors can be opened to 110 degree.
- Doors can be opened to left or right direction

Mounting Rails

- 19" Mounting rails; adjustable in depth of the cabinet
- 1.5mm DX51D galvanic

Side Panels

- Locking system is available, Side panels are removable.

Bottom

- Sliding cable panel

Rear Door

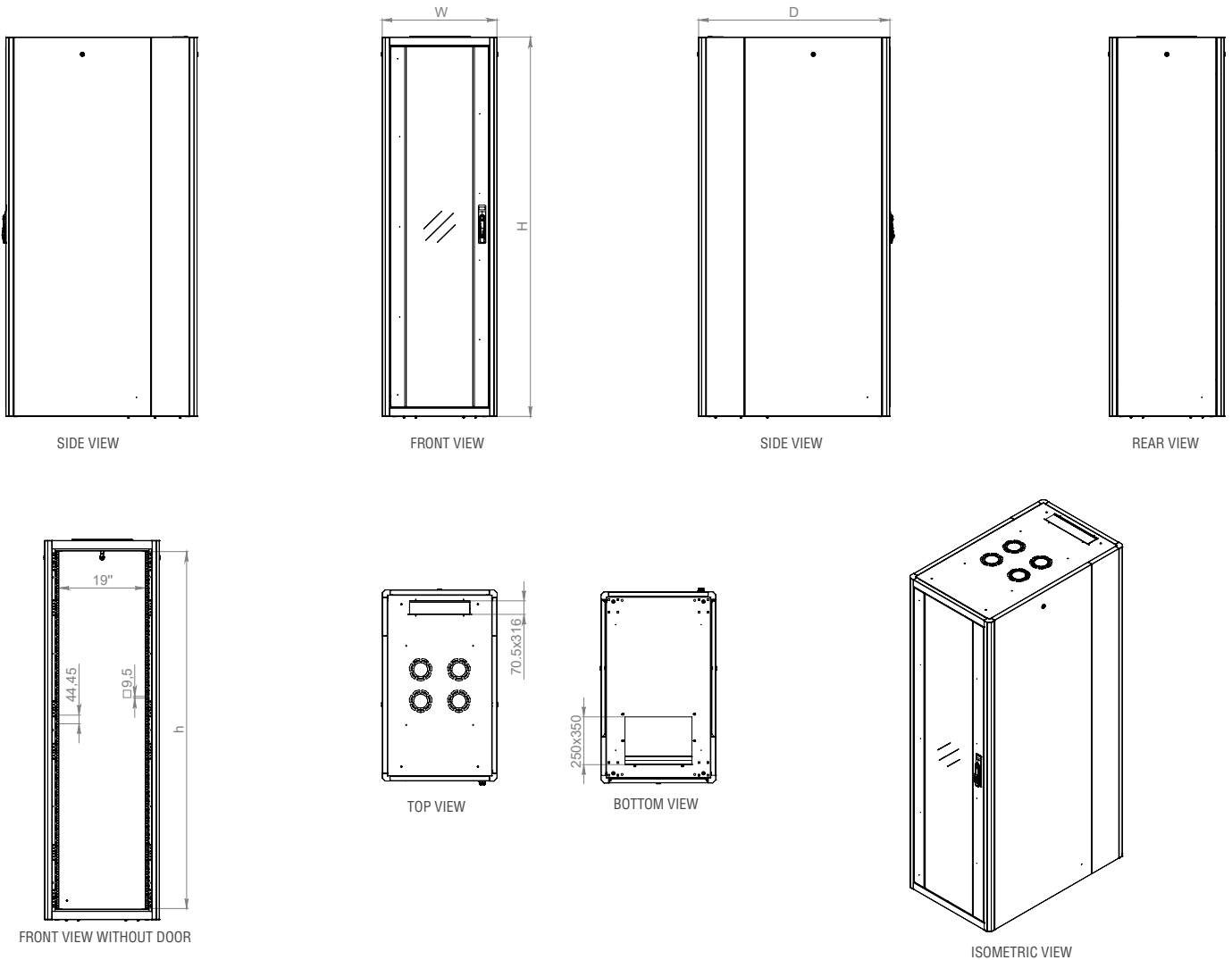
- Rear door is lockable.
- Rear door options are available

Ground contact

- Caster and levelling feet options are available
- Plinth is available as an option.

Top Sheet

- Fan module and Pagoda type top cover are available as an option



19" Ager Vega Base Free Standing Cabinets W=600mm D=1000mm

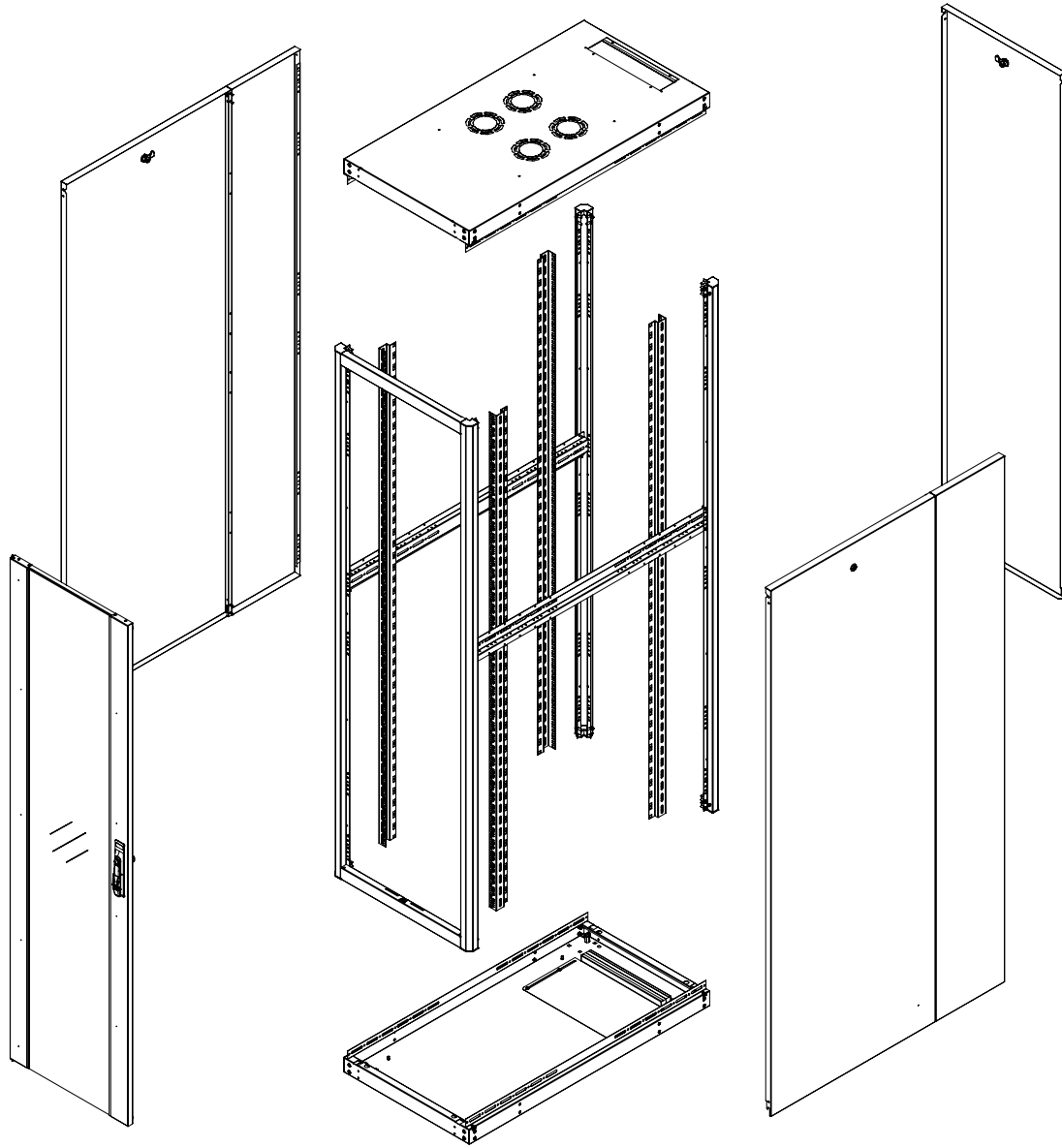
Product Code	Product Description	Product Description	Height Size in U	Width (w) (mm)	Depth (D) (mm)	Height (h) (mm)	Weight (Net) (kg)	Weight (Gross) (kg)
AG-VB12U6010XX-0000-A-YY	12U 19" Ager Vega Base Free Standing Cabinet W=600mm D=1000mm	12U 19" Ager Vega Base Free Standing Cabinet W=600mm D=1000mm	12U	600	1000	653	52,6	60,2
AG-VB16U6010XX-0000-A-YY	16U 19" Ager Vega Base Free Standing Cabinet W=600mm D=1000mm	16U 19" Ager Vega Base Free Standing Cabinet W=600mm D=1000mm	16U	600	1000	831	59	64,2
AG-VB20U6010XX-0000-A-YY	20U 19" Ager Vega Base Free Standing Cabinet W=600mm D=1000mm	20U 19" Ager Vega Base Free Standing Cabinet W=600mm D=1000mm	20U	600	1000	1008	69,9	73,1
AG-VB22U6010XX-0000-A-YY	22U 19" Ager Vega Base Free Standing Cabinet W=600mm D=1000mm	22U 19" Ager Vega Base Free Standing Cabinet W=600mm D=1000mm	22U	600	1000	1097	73,2	76,2
AG-VB26U6010XX-0000-A-YY	26U 19" Ager Vega Base Free Standing Cabinet W=600mm D=1000mm	26U 19" Ager Vega Base Free Standing Cabinet W=600mm D=1000mm	26U	600	1000	1275	72,6	82,2
AG-VB32U6010XX-0000-A-YY	32U 19" Ager Vega Base Free Standing Cabinet W=600mm D=1000mm	32U 19" Ager Vega Base Free Standing Cabinet W=600mm D=1000mm	32U	600	1000	1542	83	93,7
AG-VB36U6010XX-0000-A-YY	36U 19" Ager Vega Base Free Standing Cabinet W=600mm D=1000mm	36U 19" Ager Vega Base Free Standing Cabinet W=600mm D=1000mm	36U	600	1000	1719	89,8	101,2
AG-VB42U6010XX-0000-A-YY	42U 19" Ager Vega Base Free Standing Cabinet W=600mm D=1000mm	42U 19" Ager Vega Base Free Standing Cabinet W=600mm D=1000mm	42U	600	1000	1986	97,6	109,4
AG-VB45U6010XX-0000-A-YY	45U 19" Ager Vega Base Free Standing Cabinet W=600mm D=1000mm	45U 19" Ager Vega Base Free Standing Cabinet W=600mm D=1000mm	45U	600	1000	2119	102,4	114,7
AG-VB47U6010XX-0000-A-YY	47U 19" Ager Vega Base Free Standing Cabinet W=600mm D=1000mm	47U 19" Ager Vega Base Free Standing Cabinet W=600mm D=1000mm	47U	600	1000	2208	123,6	136,7

XX = Colour Code, B1 White RAL 7035, S1 Black RAL 9005, during order please specify the colour choice

Please consider when used levelling feet 30mm add to height, in castor add 80mm.

0000 = Please check the Door Options page.

YY = M1 for pre-assembled, D1 for flat pack.



Material

- 1.2 mm DKP

IP Classification

- As a standard IP20
- IP40 when solid metal panel applied for all access

Color Options

- RAL9005 Black
- RAL7035 White

Loading Capacity

- Recommended up to 600 kg Loading capacity

Doors

- Door options are available.
- Single point locking system
- Doors can be opened to 110 degree.
- Doors can be opened to left or right direction

Mounting Rails

- 19" Mounting rails; adjustable in depth of the cabinet
- 1.5mm DX51D galvanic

Side Panels

- Locking system is available, Side panels are removable.

Bottom

- Sliding cable panel

Rear Door

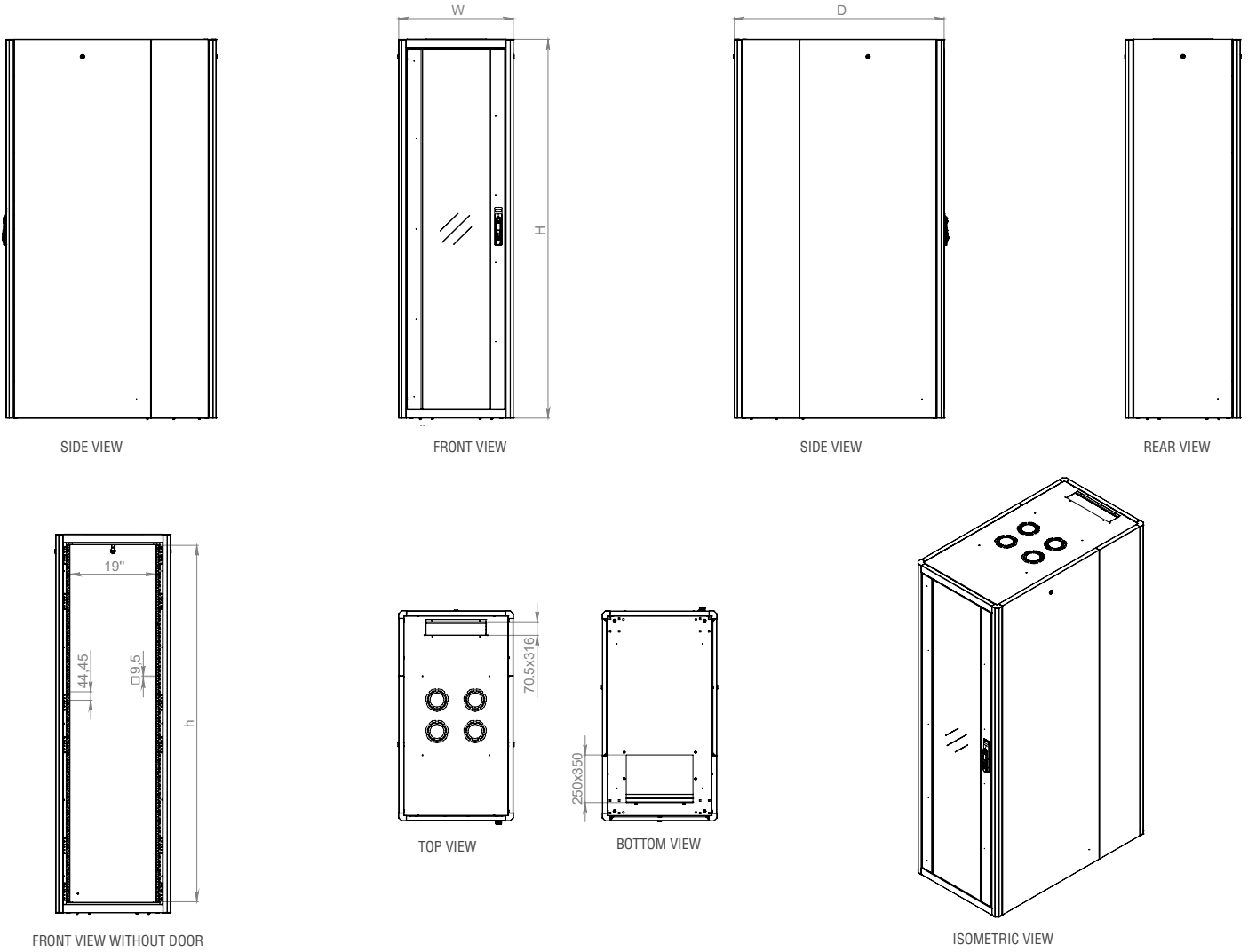
- Rear door is lockable.
- Rear door options are available

Ground contact

- Caster and levelling feet options are available
- Plinth is available as an option.

Top Sheet

- Fan module and Pagoda type top cover are available as an option

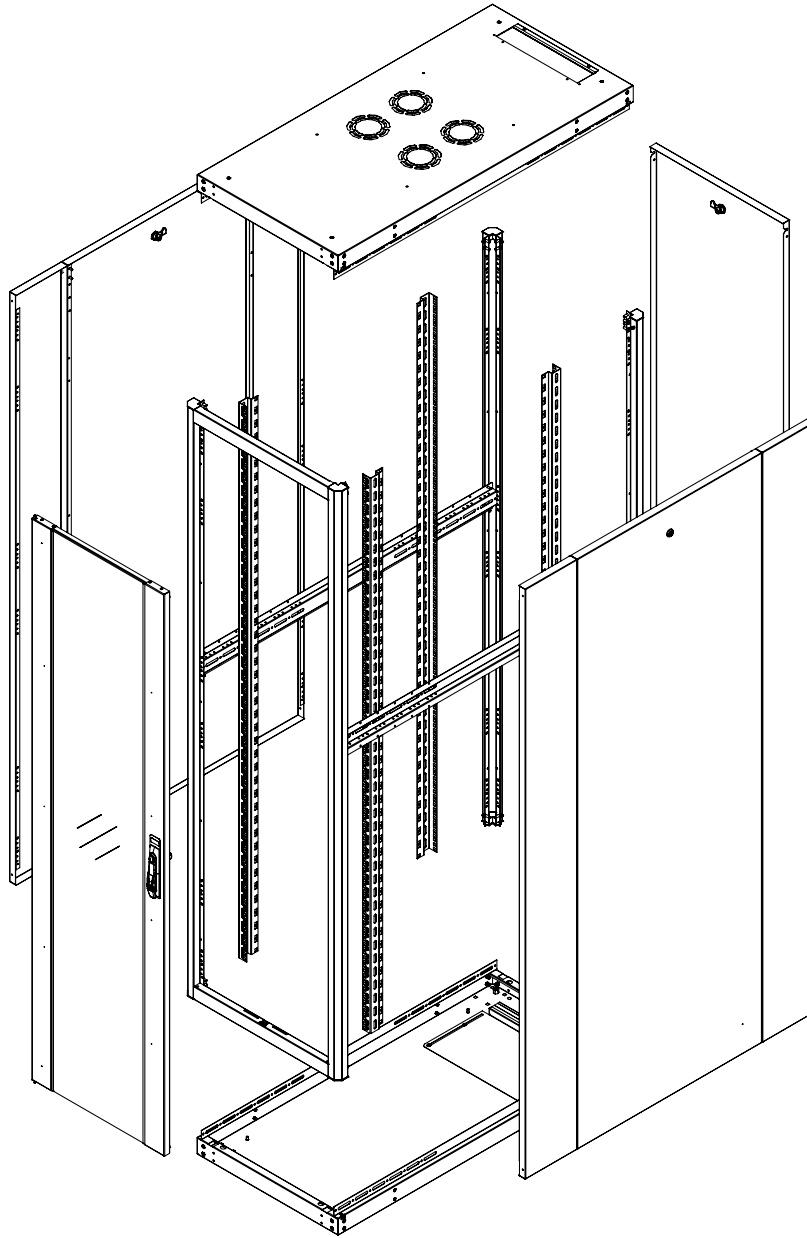


19" Ager Vega Base Free Standing Cabinets W=600mm D=1100mm

Product Code	Product Description	Product Description	Height (H) Size in U	Width (w) (mm)	Depth (D) (mm)	Height (H) (mm)	Weight (Net) (kg)	Weight (Gross) (kg)
AG-VB12U6011XX-0000-A-YY	12U 19" Ager Vega Base Free Standing Cabinet W=600mm D=1100mm	12U 19" Ager Vega Base Free Standing Cabinet W=600mm D=1100mm	12U	600	1100	653	55,8	63,5
AG-VB16U6011XX-0000-A-YY	16U 19" Ager Vega Base Free Standing Cabinet W=600mm D=1100mm	16U 19" Ager Vega Base Free Standing Cabinet W=600mm D=1100mm	16U	600	1100	831	62,5	67,85
AG-VB20U6011XX-0000-A-YY	20U 19" Ager Vega Base Free Standing Cabinet W=600mm D=1100mm	20U 19" Ager Vega Base Free Standing Cabinet W=600mm D=1100mm	20U	600	1100	1008	75,05	77,05
AG-VB22U6011XX-0000-A-YY	22U 19" Ager Vega Base Free Standing Cabinet W=600mm D=1100mm	22U 19" Ager Vega Base Free Standing Cabinet W=600mm D=1100mm	22U	600	1100	1097	78,5	80,2
AG-VB26U6011XX-0000-A-YY	26U 19" Ager Vega Base Free Standing Cabinet W=600mm D=1100mm	26U 19" Ager Vega Base Free Standing Cabinet W=600mm D=1100mm	26U	600	1100	1275	76,55	86,4
AG-VB32U6011XX-0000-A-YY	32U 19" Ager Vega Base Free Standing Cabinet W=600mm D=1100mm	32U 19" Ager Vega Base Free Standing Cabinet W=600mm D=1100mm	32U	600	1100	1542	87,5	98,6
AG-VB36U6011XX-0000-A-YY	36U 19" Ager Vega Base Free Standing Cabinet W=600mm D=1100mm	36U 19" Ager Vega Base Free Standing Cabinet W=600mm D=1100mm	36U	600	1100	1719	94,65	106,6
AG-VB42U6011XX-0000-A-YY	42U 19" Ager Vega Base Free Standing Cabinet W=600mm D=1100mm	42U 19" Ager Vega Base Free Standing Cabinet W=600mm D=1100mm	42U	600	1100	1986	102,55	114,75
AG-VB45U6011XX-0000-A-YY	45U 19" Ager Vega Base Free Standing Cabinet W=600mm D=1100mm	45U 19" Ager Vega Base Free Standing Cabinet W=600mm D=1100mm	45U	600	1100	2119	107,65	120,4
AG-VB47U6011XX-0000-A-YY	47U 19" Ager Vega Base Free Standing Cabinet W=600mm D=1100mm	47U 19" Ager Vega Base Free Standing Cabinet W=600mm D=1100mm	47U	600	1100	2208	132,9	146,6

XX = Colour Code, B1 White RAL 7035, S1 Black RAL 9005, during order please specify the colour choice
Please consider when used levelling feet 30mm add to height, in castor add 80mm.

0000 = Please check the Door Options page.
YY = M1 for pre-assembled, D1 for flat pack.



Material

- 1.2 mm DKP

IP Classification

- As a standard IP20
- IP40 when solid metal panel applied for all access

Color Options

- RAL9005 Black
- RAL7035 White

Loading Capacity

- Recommended up to 600 kg Loading capacity

Doors

- Door options are available.
- Single point locking system
- Doors can be opened to 110 degree.
- Doors can be opened to left or right direction

Mounting Rails

- 19" Mounting rails; adjustable in depth of the cabinet
- 1.5mm DX51D galvanic

Side Panels

- Locking system is available, Side panels are removable.

Bottom

- Sliding cable panel

Rear Door

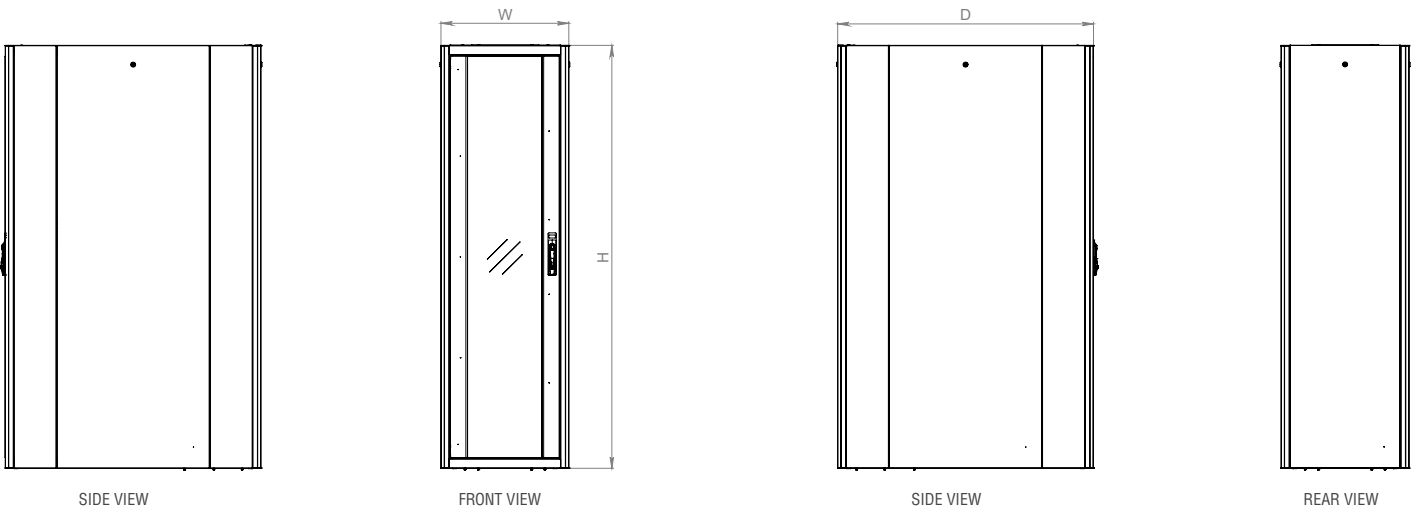
- Rear door is lockable.
- Rear door options are available

Ground contact

- Caster and levelling feet options are available
- Plinth is available as an option.

Top Sheet

- Fan module and Pagoda type top cover are available as an option

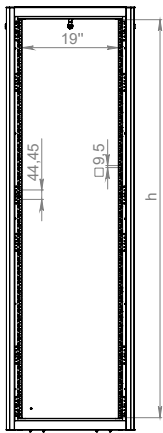


SIDE VIEW

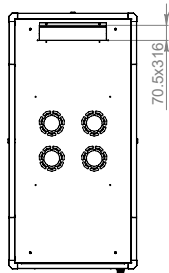
FRONT VIEW

SIDE VIEW

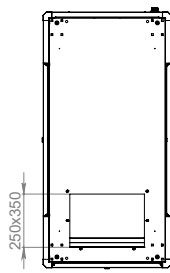
REAR VIEW



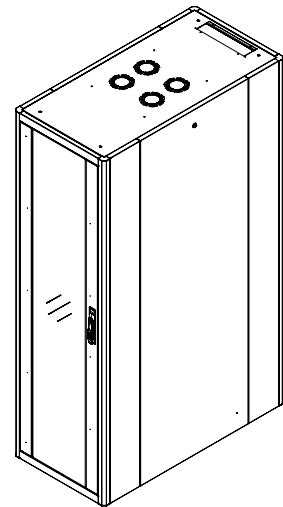
FRONT VIEW WITHOUT DOOR



TOP VIEW



BOTTOM VIEW



ISOMETRIC VIEW

19" Ager Vega Base Free Standing Cabinets W=600mm D=1200mm

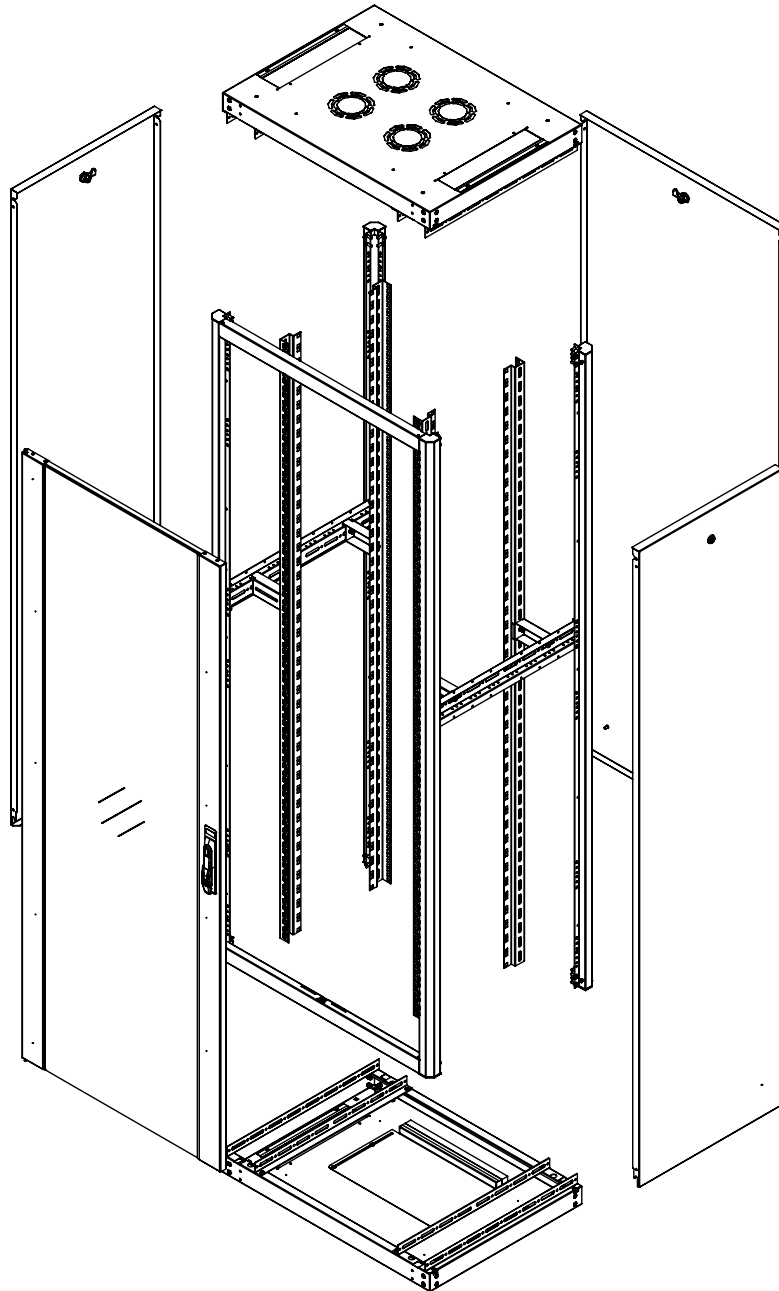
Product Code	Product Description	Product Description	Height (H) Size in U	Width (W) (mm)	Depth (D) (mm)	Height (H) (mm)	Weight (Net) (kg)	Weight (Gross) (kg)
AG-VB12U6012XX-0000-A-YY	12U 19" Ager Vega Base Free Standing Cabinet W=600mm D=1200mm	12U 19" Ager Vega Base Free Standing Cabinet W=600mm D=1200mm	12U	600	1200	653	59	66,8
AG-VB16U6012XX-0000-A-YY	16U 19" Ager Vega Base Free Standing Cabinet W=600mm D=1200mm	16U 19" Ager Vega Base Free Standing Cabinet W=600mm D=1200mm	16U	600	1200	831	66	71,5
AG-VB20U6012XX-0000-A-YY	20U 19" Ager Vega Base Free Standing Cabinet W=600mm D=1200mm	20U 19" Ager Vega Base Free Standing Cabinet W=600mm D=1200mm	20U	600	1200	1008	80,2	81
AG-VB22U6012XX-0000-A-YY	22U 19" Ager Vega Base Free Standing Cabinet W=600mm D=1200mm	22U 19" Ager Vega Base Free Standing Cabinet W=600mm D=1200mm	22U	600	1200	1097	83,8	84,2
AG-VB26U6012XX-0000-A-YY	26U 19" Ager Vega Base Free Standing Cabinet W=600mm D=1200mm	26U 19" Ager Vega Base Free Standing Cabinet W=600mm D=1200mm	26U	600	1200	1275	80,5	90,6
AG-VB32U6012XX-0000-A-YY	32U 19" Ager Vega Base Free Standing Cabinet W=600mm D=1200mm	32U 19" Ager Vega Base Free Standing Cabinet W=600mm D=1200mm	32U	600	1200	1542	92	103,5
AG-VB36U6012XX-0000-A-YY	36U 19" Ager Vega Base Free Standing Cabinet W=600mm D=1200mm	36U 19" Ager Vega Base Free Standing Cabinet W=600mm D=1200mm	36U	600	1200	1719	99,5	112
AG-VB42U6012XX-0000-A-YY	42U 19" Ager Vega Base Free Standing Cabinet W=600mm D=1200mm	42U 19" Ager Vega Base Free Standing Cabinet W=600mm D=1200mm	42U	600	1200	1986	107,5	120,1
AG-VB45U6012XX-0000-A-YY	45U 19" Ager Vega Base Free Standing Cabinet W=600mm D=1200mm	45U 19" Ager Vega Base Free Standing Cabinet W=600mm D=1200mm	45U	600	1200	2119	112,9	126,1
AG-VB47U6012XX-0000-A-YY	47U 19" Ager Vega Base Free Standing Cabinet W=600mm D=1200mm	47U 19" Ager Vega Base Free Standing Cabinet W=600mm D=1200mm	47U	600	1200	2208	142,2	156,5

XX = Colour Code, B1 White RAL 7035, S1 Black RAL 9005, during order please specify the colour choice

Please consider when used levelling feet 30mm add to height, in castor add 80mm.

0000 = Please check the Door Options page.

YY = M1 for pre-assembled, D1 for flat pack.



Material

- 1.2 mm DKP

IP Classification

- As a standard IP20
- IP40 when solid metal panel applied for all access

Color Options

- RAL9005 Black
- RAL7035 White

Loading Capacity

- Recommended up to 600 kg Loading capacity

Doors

- Door options are available.
- Single point locking system
- Doors can be opened to 110 degree.
- Doors can be opened to left or right direction

Mounting Rails

- 19" Mounting rails; adjustable in depth of the cabinet
- 1.5mm DX51D galvanic

Side Panels

- Locking system is available, Side panels are removable.

Bottom

- Sliding cable panel

Rear Door

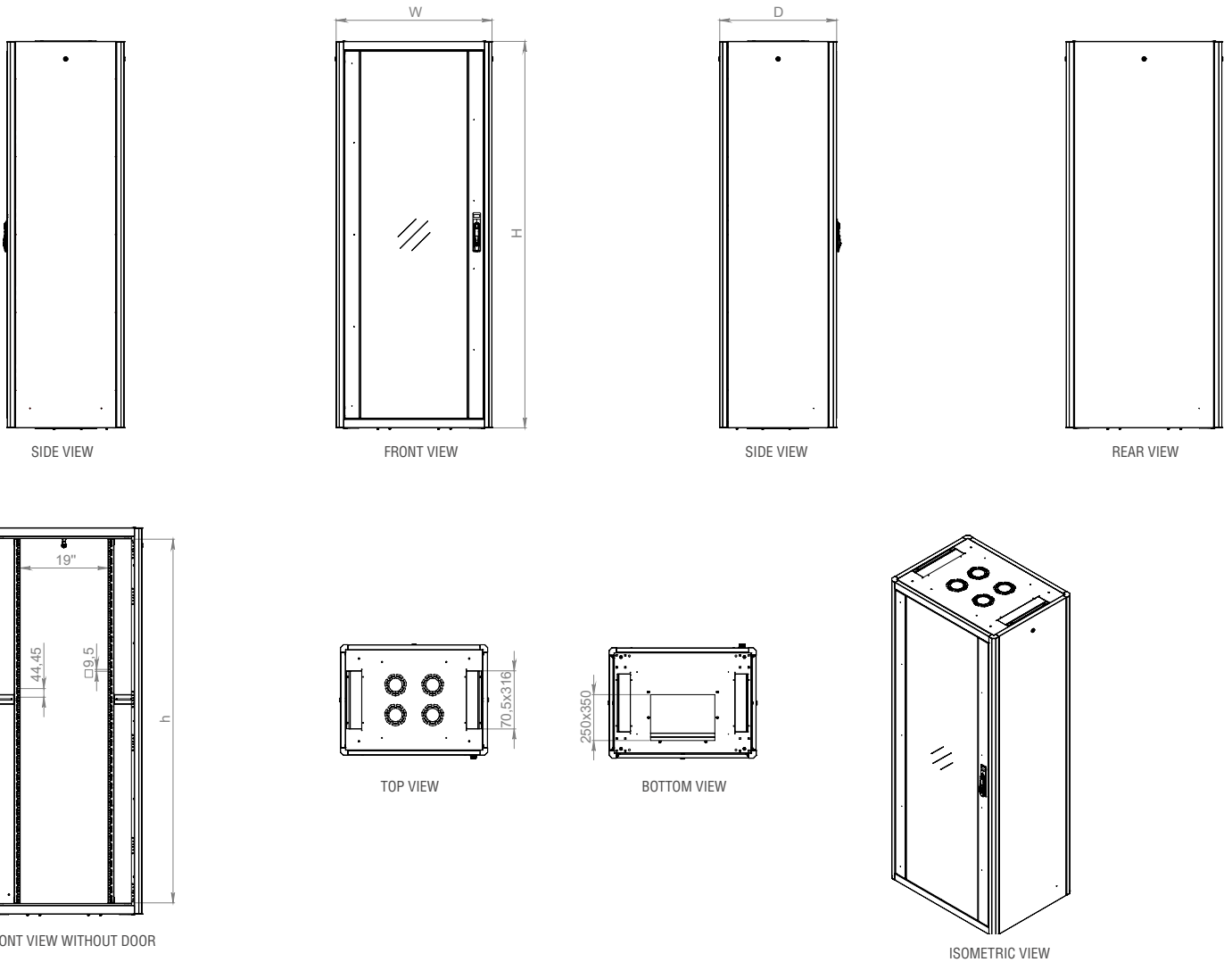
- Rear door is lockable.
- Rear door options are available

Ground contact

- Caster and levelling feet options are available
- Plinth is available as an option.

Top Sheet

- Fan module and Pagoda type top cover are available as an option



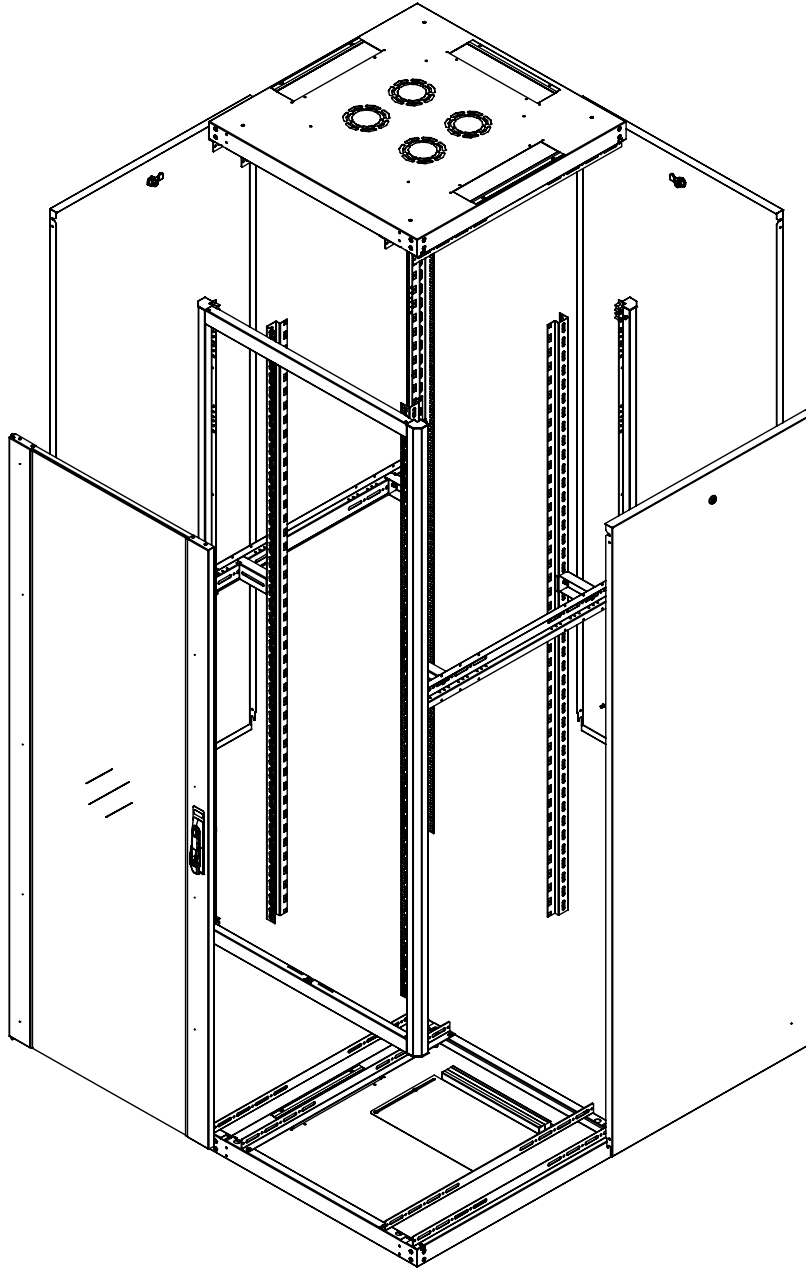
19" Ager Vega Base Free Standing Cabinets W=800mm D=600mm

Product Code	Product Description	Product Description	Height Size in U	Width (w) (mm)	Depth (D) (mm)	Height (h) (mm)	Weight (Net) (kg)	Weight (Gross) (kg)
AG-VB12U8060XX-0000-A-YY	12U 19" Ager Vega Base Free Standing Cabinet W=800mm D=600mm	12U 19" Ager Vega Base Free Standing Cabinet W=800mm D=600mm	12U	800	600	653	49	54
AG-VB16U8060XX-0000-A-YY	16U 19" Ager Vega Base Free Standing Cabinet W=800mm D=600mm	16U 19" Ager Vega Base Free Standing Cabinet W=800mm D=600mm	16U	800	600	831	53	60
AG-VB20U8060XX-0000-A-YY	20U 19" Ager Vega Base Free Standing Cabinet W=800mm D=600mm	20U 19" Ager Vega Base Free Standing Cabinet W=800mm D=600mm	20U	800	600	1008	58	66
AG-VB22U8060XX-0000-A-YY	22U 19" Ager Vega Base Free Standing Cabinet W=800mm D=600mm	22U 19" Ager Vega Base Free Standing Cabinet W=800mm D=600mm	22U	800	600	1097	60,5	69
AG-VB26U8060XX-0000-A-YY	26U 19" Ager Vega Base Free Standing Cabinet W=800mm D=600mm	26U 19" Ager Vega Base Free Standing Cabinet W=800mm D=600mm	26U	800	600	1275	65,7	75
AG-VB32U8060XX-0000-A-YY	32U 19" Ager Vega Base Free Standing Cabinet W=800mm D=600mm	32U 19" Ager Vega Base Free Standing Cabinet W=800mm D=600mm	32U	800	600	1542	75,4	85
AG-VB36U8060XX-0000-A-YY	36U 19" Ager Vega Base Free Standing Cabinet W=800mm D=600mm	36U 19" Ager Vega Base Free Standing Cabinet W=800mm D=600mm	36U	800	600	1719	81,5	92
AG-VB42U8060XX-0000-A-YY	42U 19" Ager Vega Base Free Standing Cabinet W=800mm D=600mm	42U 19" Ager Vega Base Free Standing Cabinet W=800mm D=600mm	42U	800	600	1986	89,6	100,7
AG-VB45U8060XX-0000-A-YY	45U 19" Ager Vega Base Free Standing Cabinet W=800mm D=600mm	45U 19" Ager Vega Base Free Standing Cabinet W=800mm D=600mm	45U	800	600	2119	93,8	105,3
AG-VB47U8060XX-0000-A-YY	47U 19" Ager Vega Base Free Standing Cabinet W=800mm D=600mm	47U 19" Ager Vega Base Free Standing Cabinet W=800mm D=600mm	47U	800	600	2208	96,7	108,6

XX = Colour Code, B1 White RAL 7035, S1 Black RAL 9005, during order please specify the colour choice

Please consider when used levelling feet 30mm add to height, in castor add 80mm.

0000 = Please check the Door Options page.
YY = M1 for pre-assembled, D1 for flat pack.



Material

- 1.2 mm DKP

IP Classification

- As a standard IP20
- IP40 when solid metal panel applied for all access

Color Options

- RAL9005 Black
- RAL7035 White

Loading Capacity

- Recommended up to 600 kg Loading capacity

Doors

- Door options are available.
- Single point locking system
- Doors can be opened to 110 degree.
- Doors can be opened to left or right direction

Mounting Rails

- 19" Mounting rails; adjustable in depth of the cabinet
- 1.5mm DX51D galvanic

Side Panels

- Locking system is available, Side panels are removable.

Bottom

- Sliding cable panel

Rear Door

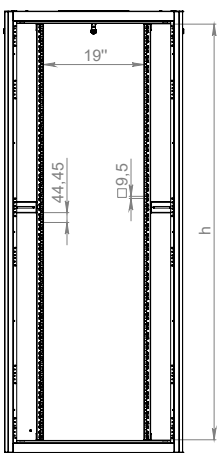
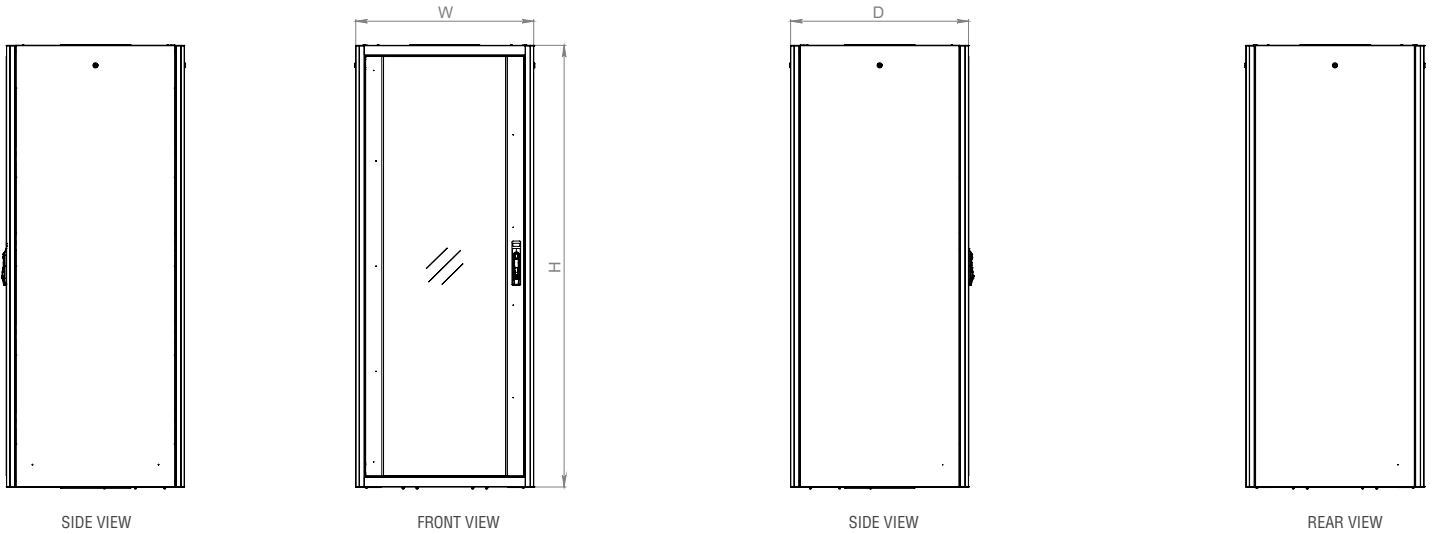
- Rear door is lockable.
- Rear door options are available

Ground contact

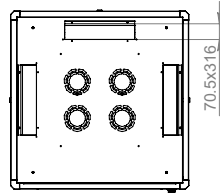
- Caster and levelling feet options are available
- Plinth is available as an option.

Top Sheet

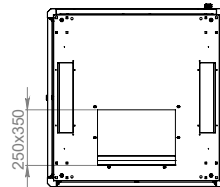
- Fan module and Pagoda type top cover are available as an option



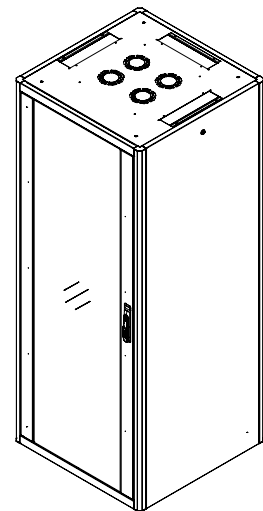
FRONT VIEW WITHOUT DOOR



TOP VIEW



BOTTOM VIEW



ISOMETRIC VIEW

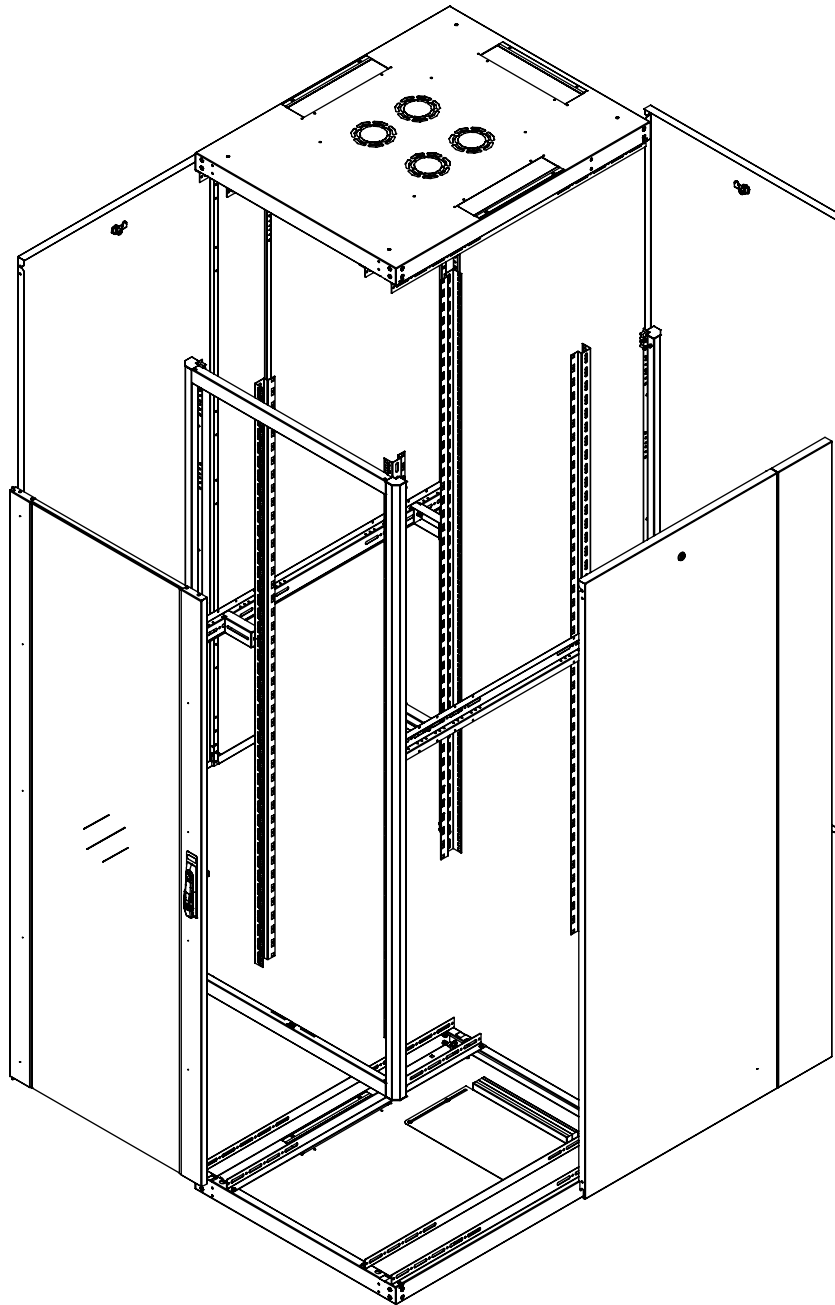
19" Ager Vega Base Free Standing Cabinets W=800mm D=800mm

Product Code	Product Description	Height Size in U	Width (w) (mm)	Depth (D) (mm)	Height (H) (mm)	Weight (Net) (kg)	Weight (Gross) (kg)
AG-VB12U8080XX-0000-A-YY	12U 19" Ager Vega Base Free Standing Cabinet W=800mm D=800mm	12U	800	800	653	54,05	65,75
AG-VB16U8080XX-0000-A-YY	16U 19" Ager Vega Base Free Standing Cabinet W=800mm D=800mm	16U	800	800	831	59,75	72,05
AG-VB20U8080XX-0000-A-YY	20U 19" Ager Vega Base Free Standing Cabinet W=800mm D=800mm	20U	800	800	1008	65,4	78,35
AG-VB22U8080XX-0000-A-YY	22U 19" Ager Vega Base Free Standing Cabinet W=800mm D=800mm	22U	800	800	1097	68,3	81,5
AG-VB26U8080XX-0000-A-YY	26U 19" Ager Vega Base Free Standing Cabinet W=800mm D=800mm	26U	800	800	1275	74	87,8
AG-VB32U8080XX-0000-A-YY	32U 19" Ager Vega Base Free Standing Cabinet W=800mm D=800mm	32U	800	800	1542	84,4	88,9
AG-VB36U8080XX-0000-A-YY	36U 19" Ager Vega Base Free Standing Cabinet W=800mm D=800mm	36U	800	800	1719	91	106,2
AG-VB42U8080XX-0000-A-YY	42U 19" Ager Vega Base Free Standing Cabinet W=800mm D=800mm	42U	800	800	1986	99,5	115,3
AG-VB45U8080XX-0000-A-YY	45U 19" Ager Vega Base Free Standing Cabinet W=800mm D=800mm	45U	800	800	2119	104	120,6
AG-VB47U8080XX-0000-A-YY	47U 19" Ager Vega Base Free Standing Cabinet W=800mm D=800mm	47U	800	800	2208	108	125,3

XX = Colour Code, B1 White RAL 7035, S1 Black RAL 9005, during order please specify the colour choice
 Please consider when used levelling feet 30mm add to height, in castor add 80mm.

0000 = Please check the Door Options page.

YY = M1 for pre-assembled, D1 for flat pack.



Material

- 1.2 mm DKP

IP Classification

- As a standard IP20
- IP40 when solid metal panel applied for all access

Color Options

- RAL9005 Black
- RAL7035 White

Loading Capacity

- Recommended up to 600 kg Loading capacity

Doors

- Door options are available.
- Single point locking system
- Doors can be opened to 110 degree.
- Doors can be opened to left or right direction

Mounting Rails

- 19" Mounting rails; adjustable in depth of the cabinet
- 1.5mm DX51D galvanic

Side Panels

- Locking system is available, Side panels are removable.

Bottom

- Sliding cable panel

Rear Door

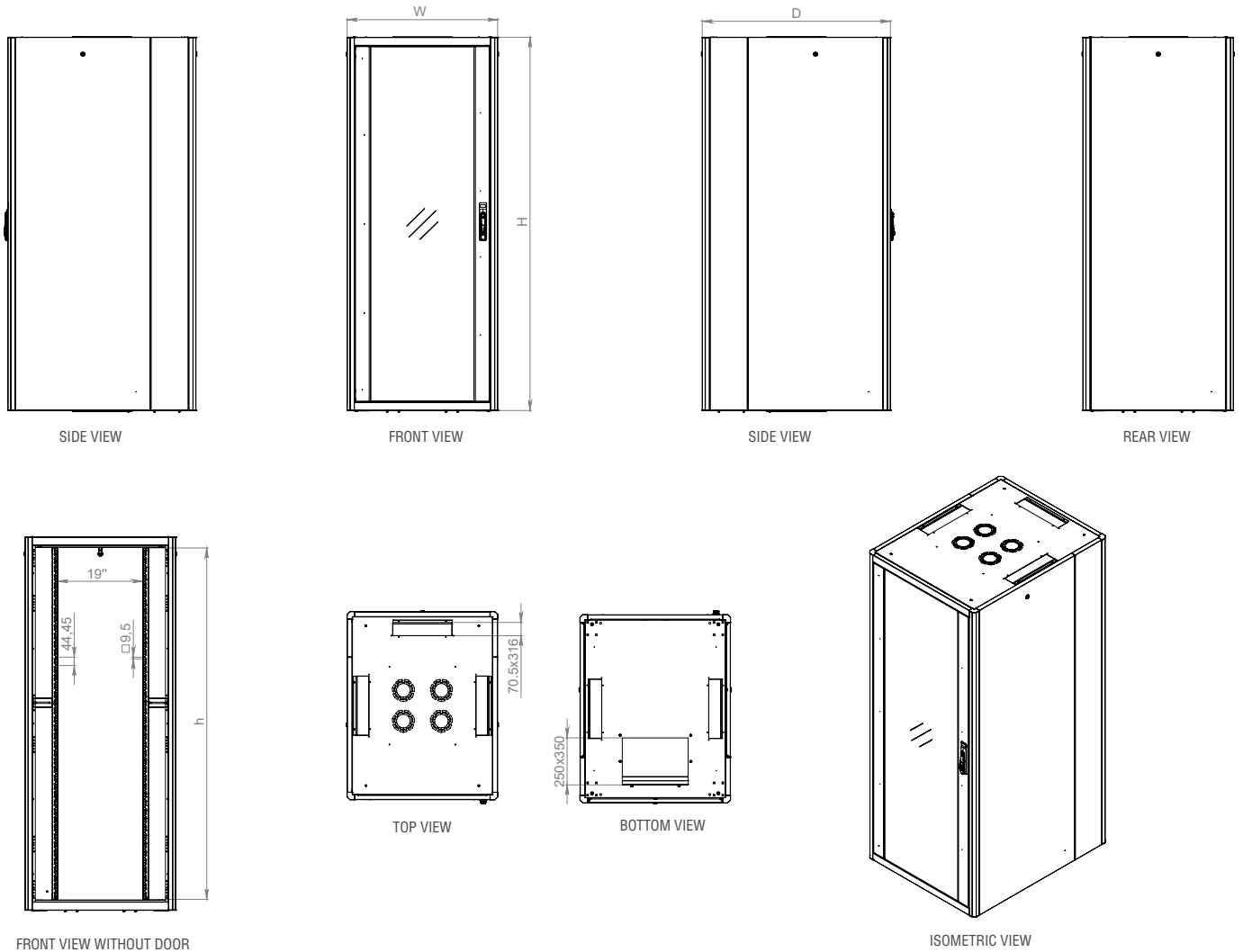
- Rear door is lockable.
- Rear door options are available

Ground contact

- Caster and levelling feet options are available
- Plinth is available as an option.

Top Sheet

- Fan module and Pagoda type top cover are available as an option



19" Ager Vega Base Free Standing Cabinets W=800mm D=1000mm

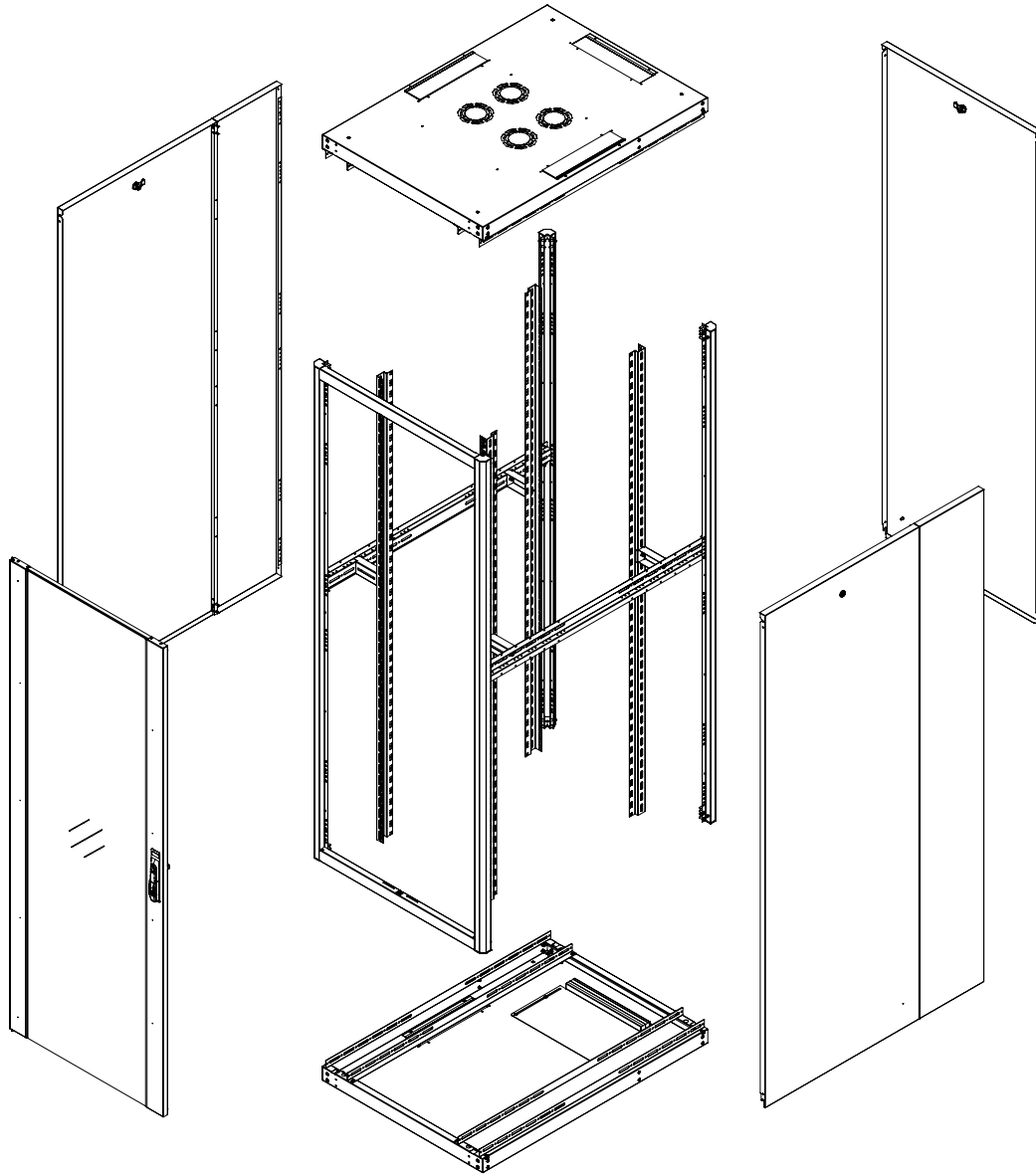
Product Code	Product Description	Product Description	Height Size in U	Width (w) (mm)	Depth (D) (mm)	Height (H) (mm)	Weight (Net) (kg)	Weight (Gross) (kg)
AG-VB12U8010XX-0000-A-YY	12U 19" Ager Vega Base Free Standing Cabinet W=800mm D=1000mm	12U 19" Ager Vega Base Free Standing Cabinet W=800mm D=1000mm	12U	800	1000	653	60,6	77,5
AG-VB16U8010XX-0000-A-YY	16U 19" Ager Vega Base Free Standing Cabinet W=800mm D=1000mm	16U 19" Ager Vega Base Free Standing Cabinet W=800mm D=1000mm	16U	800	1000	831	66,8	84,1
AG-VB20U8010XX-0000-A-YY	20U 19" Ager Vega Base Free Standing Cabinet W=800mm D=1000mm	20U 19" Ager Vega Base Free Standing Cabinet W=800mm D=1000mm	20U	800	1000	1008	73	90,7
AG-VB22U8010XX-0000-A-YY	22U 19" Ager Vega Base Free Standing Cabinet W=800mm D=1000mm	22U 19" Ager Vega Base Free Standing Cabinet W=800mm D=1000mm	22U	800	1000	1097	76,1	94
AG-VB26U8010XX-0000-A-YY	26U 19" Ager Vega Base Free Standing Cabinet W=800mm D=1000mm	26U 19" Ager Vega Base Free Standing Cabinet W=800mm D=1000mm	26U	800	1000	1275	82,3	100,6
AG-VB32U8010XX-0000-A-YY	32U 19" Ager Vega Base Free Standing Cabinet W=800mm D=1000mm	32U 19" Ager Vega Base Free Standing Cabinet W=800mm D=1000mm	32U	800	1000	1542	93,4	92,8
AG-VB36U8010XX-0000-A-YY	36U 19" Ager Vega Base Free Standing Cabinet W=800mm D=1000mm	36U 19" Ager Vega Base Free Standing Cabinet W=800mm D=1000mm	36U	800	1000	1719	101,5	120,4
AG-VB42U8010XX-0000-A-YY	42U 19" Ager Vega Base Free Standing Cabinet W=800mm D=1000mm	42U 19" Ager Vega Base Free Standing Cabinet W=800mm D=1000mm	42U	800	1000	1986	109,4	129,9
AG-VB45U8010XX-0000-A-YY	45U 19" Ager Vega Base Free Standing Cabinet W=800mm D=1000mm	45U 19" Ager Vega Base Free Standing Cabinet W=800mm D=1000mm	45U	800	1000	2119	114,2	135,9
AG-VB47U8010XX-0000-A-YY	47U 19" Ager Vega Base Free Standing Cabinet W=800mm D=1000mm	47U 19" Ager Vega Base Free Standing Cabinet W=800mm D=1000mm	47U	800	1000	2208	119,3	142

XX = Colour Code, B1 White RAL 7035, S1 Black RAL 9005, during order please specify the colour choice

Please consider when used levelling feet 30mm add to height, in castor add 80mm.

0000 = Please check the Door Options page.

YY = M1 for pre-assembled, D1 for flat pack.



Material

- 1.2 mm DKP

IP Classification

- As a standard IP20
- IP40 when solid metal panel applied for all access

Color Options

- RAL9005 Black
- RAL7035 White

Loading Capacity

- Recommended up to 600 kg Loading capacity

Doors

- Door options are available.
- Single point locking system
- Doors can be opened to 110 degree.
- Doors can be opened to left or right direction

Mounting Rails

- 19" Mounting rails; adjustable in depth of the cabinet
- 1.5mm DX51D galvanic

Side Panels

- Locking system is available, Side panels are removable.

Bottom

- Sliding cable panel

Rear Door

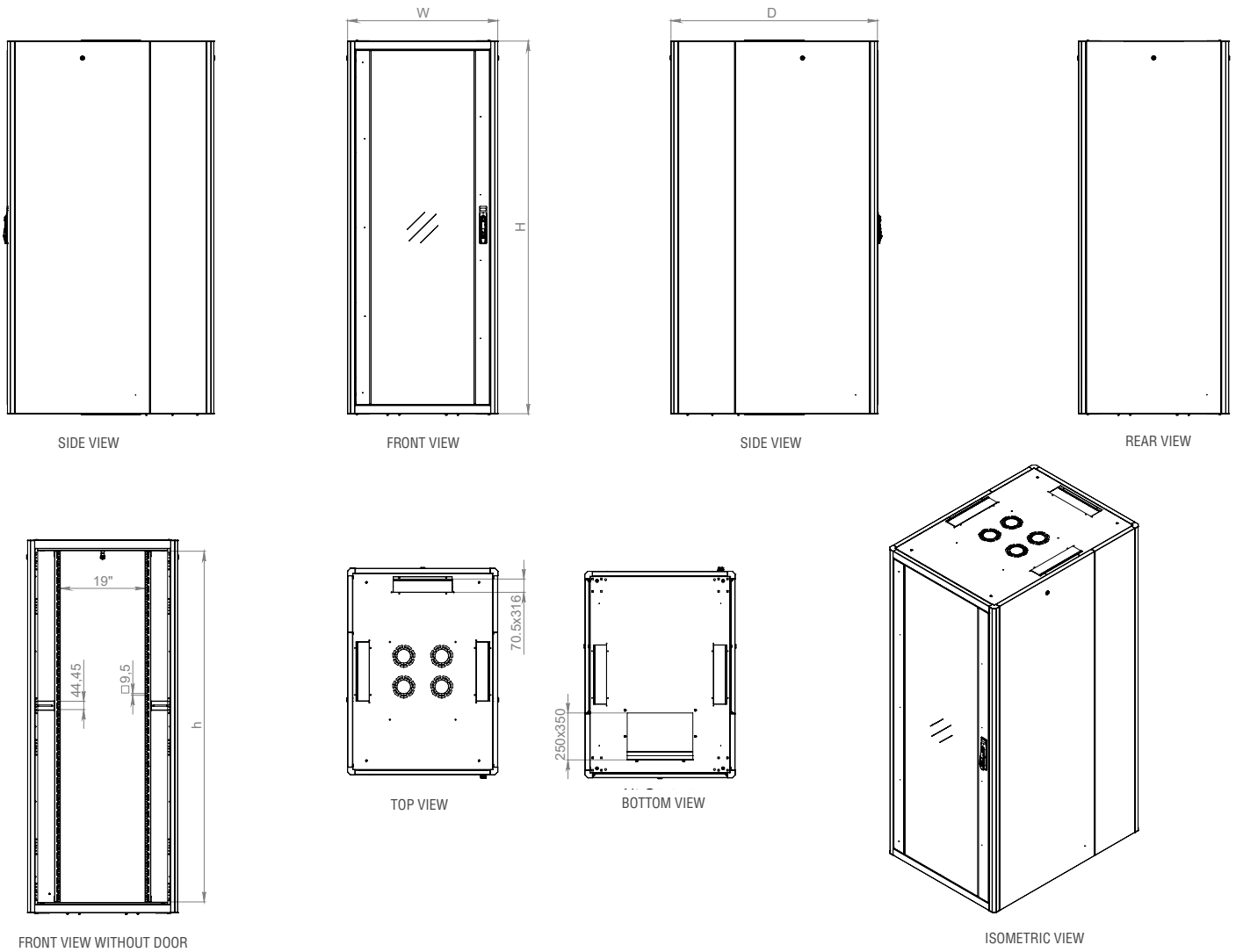
- Rear door is lockable.
- Rear door options are available

Ground contact

- Caster and levelling feet options are available
- Plinth is available as an option.

Top Sheet

- Fan module and Pagoda type top cover are available as an option



19" Ager Vega Base Free Standing Cabinets W=800mm D=1100mm

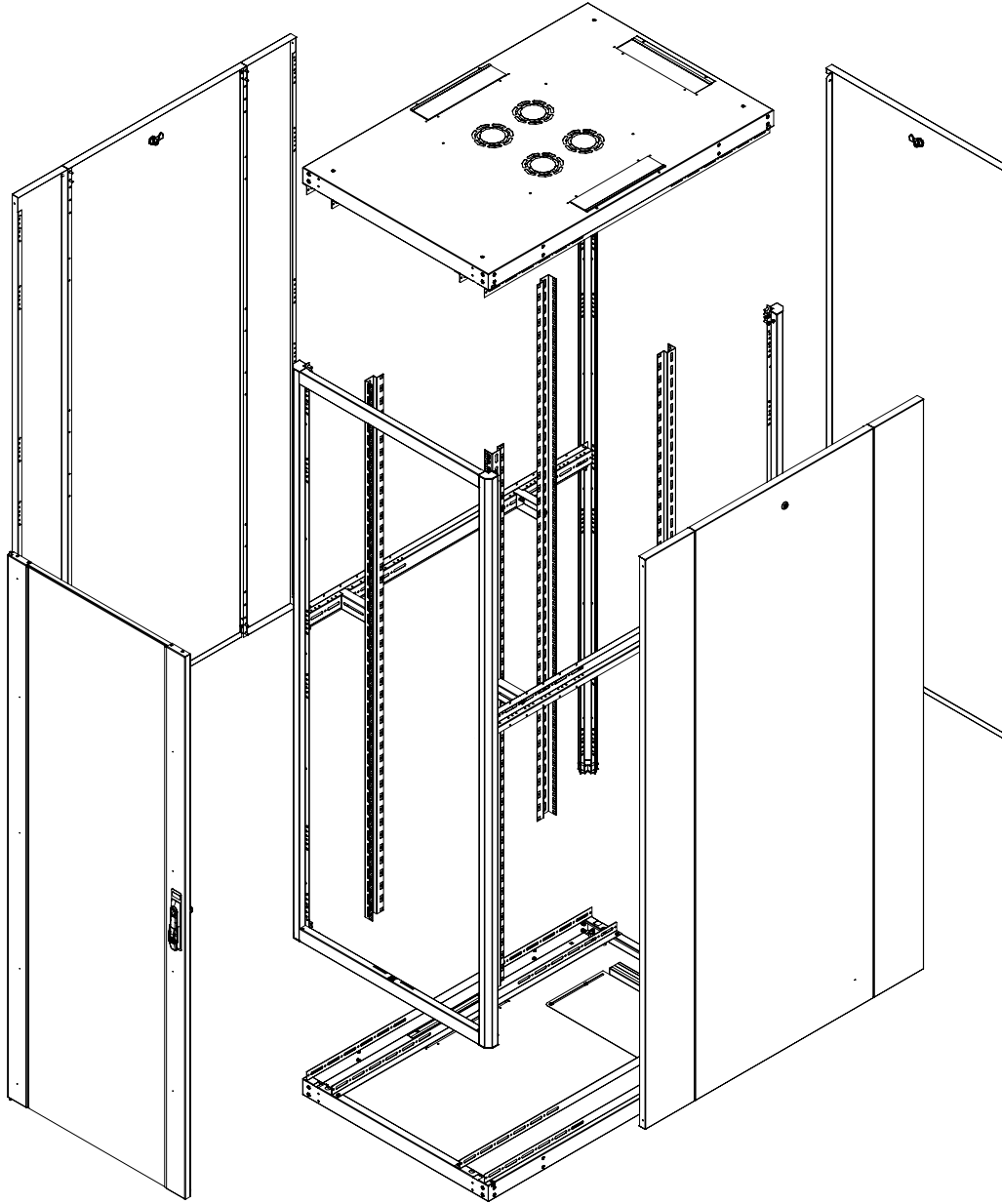
Product Code	Product Description	Product Description	Height Size in U	Width (w) (mm)	Depth (D) (mm)	Height (H) (mm)	Weight (Net) (kg)	Weight (Gross) (kg)
AG-VB12U8011XX-0000-A-YY	12U 19" Ager Vega Base Free Standing Cabinet W=800mm D=1100mm		12U	800	1100	653	63,875	82,125
AG-VB16U8011XX-0000-A-YY	16U 19" Ager Vega Base Free Standing Cabinet W=800mm D=1100mm		16U	800	1100	831	70,325	89,375
AG-VB20U8011XX-0000-A-YY	20U 19" Ager Vega Base Free Standing Cabinet W=800mm D=1100mm		20U	800	1100	1008	76,775	96,625
AG-VB22U8011XX-0000-A-YY	22U 19" Ager Vega Base Free Standing Cabinet W=800mm D=1100mm		22U	800	1100	1097	80	100,25
AG-VB26U8011XX-0000-A-YY	26U 19" Ager Vega Base Free Standing Cabinet W=800mm D=1100mm		26U	800	1100	1275	86,45	107
AG-VB32U8011XX-0000-A-YY	32U 19" Ager Vega Base Free Standing Cabinet W=800mm D=1100mm		32U	800	1100	1542	97,9	94,75
AG-VB36U8011XX-0000-A-YY	36U 19" Ager Vega Base Free Standing Cabinet W=800mm D=1100mm		36U	800	1100	1719	106,75	127,5
AG-VB42U8011XX-0000-A-YY	42U 19" Ager Vega Base Free Standing Cabinet W=800mm D=1100mm		42U	800	1100	1986	114,35	137,2
AG-VB45U8011XX-0000-A-YY	45U 19" Ager Vega Base Free Standing Cabinet W=800mm D=1100mm		45U	800	1100	2119	119,3	143,55
AG-VB47U8011XX-0000-A-YY	47U 19" Ager Vega Base Free Standing Cabinet W=800mm D=1100mm		47U	800	1100	2208	124,95	150,35

XX = Colour Code, B1 White RAL 7035, S1 Black RAL 9005, during order please specify the colour choice

Please consider when used levelling feet 30mm add to height, in castor add 80mm.

0000 = Please check the Door Options page.

YY = M1 for pre-assembled, D1 for flat pack.



Material

- 1.2 mm DKP

IP Classification

- As a standard IP20
- IP40 when solid metal panel applied for all access

Color Options

- RAL9005 Black
- RAL7035 White

Loading Capacity

- Recommended up to 600 kg Loading capacity

Doors

- Door options are available.
- Single point locking system
- Doors can be opened to 110 degree.
- Doors can be opened to left or right direction

Mounting Rails

- 19" Mounting rails; adjustable in depth of the cabinet
- 1.5mm DX51D galvanic

Side Panels

- Locking system is available, Side panels are removable.

Bottom

- Sliding cable panel

Rear Door

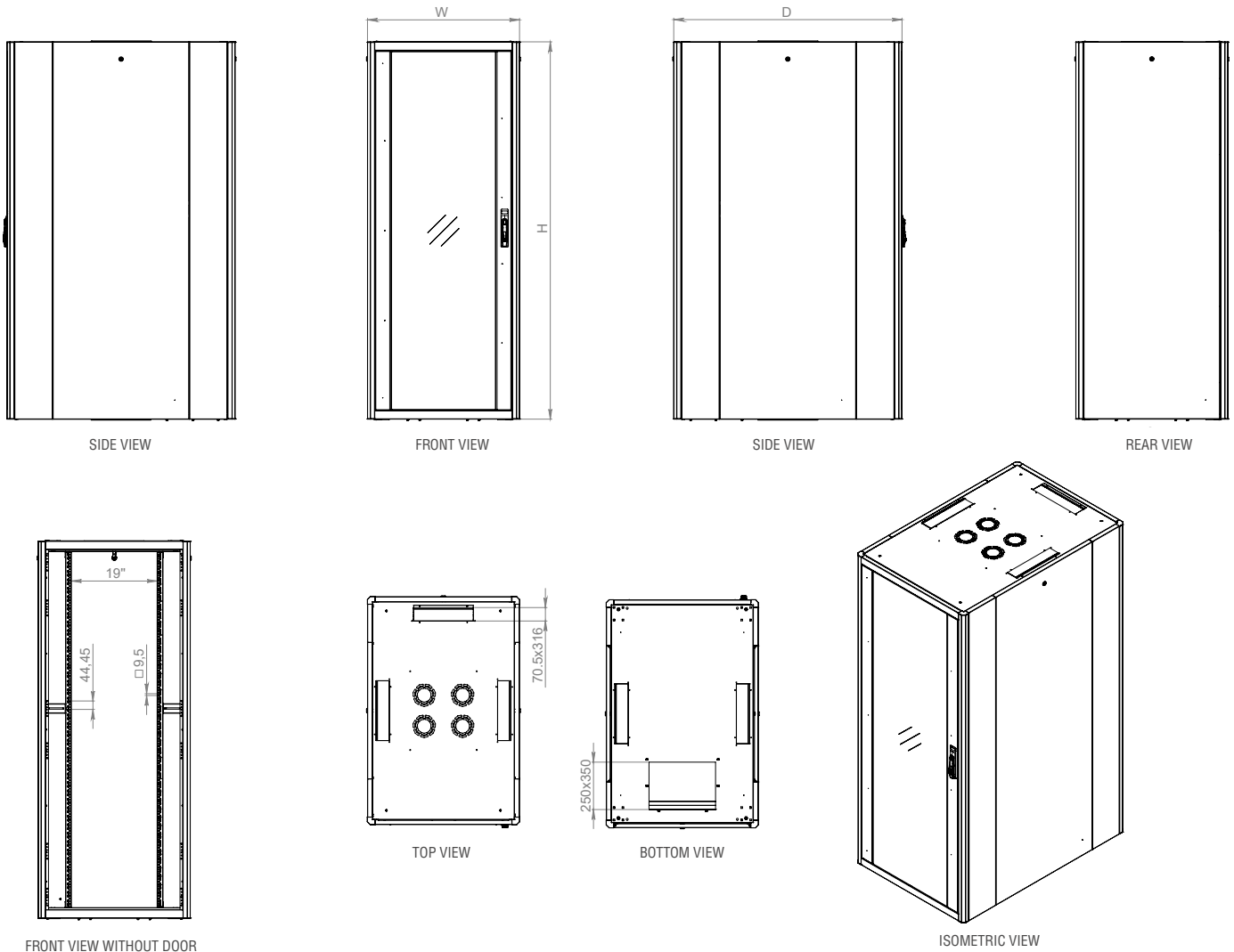
- Rear door is lockable.
- Rear door options are available

Ground contact

- Caster and levelling feet options are available
- Plinth is available as an option.

Top Sheet

- Fan module and Pagoda type top cover are available as an option



19" Ager Vega Base Free Standing Cabinets W=800mm D=1200mm

Product Code	Product Description	Product Description	Height (H) Size in U	Width (W) (mm)	Depth (D) (mm)	Height (H) (mm)	Weight (Net) (kg)	Weight (Gross) (kg)
AG-VB12U8012XX-0000-A-YY	12U 19" Ager Vega Base Free Standing Cabinet W=800mm D=1200mm		12U	800	1200	653	67,15	89,25
AG-VB16U8012XX-0000-A-YY	16U 19" Ager Vega Base Free Standing Cabinet W=800mm D=1200mm		16U	800	1200	831	73,85	96,15
AG-VB20U8012XX-0000-A-YY	20U 19" Ager Vega Base Free Standing Cabinet W=800mm D=1200mm		20U	800	1200	1008	80,55	103,05
AG-VB22U8012XX-0000-A-YY	22U 19" Ager Vega Base Free Standing Cabinet W=800mm D=1200mm		22U	800	1200	1097	83,9	106,5
AG-VB26U8012XX-0000-A-YY	26U 19" Ager Vega Base Free Standing Cabinet W=800mm D=1200mm		26U	800	1200	1275	90,6	113,4
AG-VB32U8012XX-0000-A-YY	32U 19" Ager Vega Base Free Standing Cabinet W=800mm D=1200mm		32U	800	1200	1542	102,4	96,55
AG-VB36U8012XX-0000-A-YY	36U 19" Ager Vega Base Free Standing Cabinet W=800mm D=1200mm		36U	800	1200	1719	112	134,6
AG-VB42U8012XX-0000-A-YY	42U 19" Ager Vega Base Free Standing Cabinet W=800mm D=1200mm		42U	800	1200	1986	119,3	144,5
AG-VB45U8012XX-0000-A-YY	45U 19" Ager Vega Base Free Standing Cabinet W=800mm D=1200mm		45U	800	1200	2119	124,4	151,2
AG-VB47U8012XX-0000-A-YY	47U 19" Ager Vega Base Free Standing Cabinet W=800mm D=1200mm		47U	800	1200	2208	130,6	158,7

XX = Colour Code, B1 White RAL 7035, S1 Black RAL 9005, during order please specify the colour choice

Please consider when used levelling feet 30mm add to height, in castor add 80mm.

0000 = Please check the Door Options page.
YY = M1 for pre-assembled, D1 for flat pack.