

OUTDOOR IP68 CABINETS



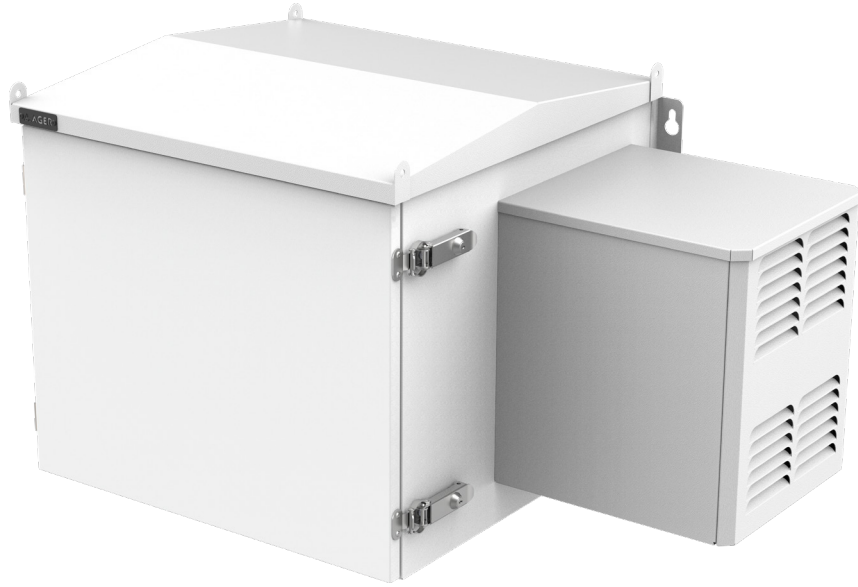
AGER IP 68 OUTDOOR Cabinets are suitable for IT and telecommunication solutions in outdoor conditions; protection against dust, accidental contact and water according to the TS 3033 EN60529 regulation. Provides IP68 protection class by polyurethane seal on door and toggle latches. RAL7035 light gray polyester electrostatic powder paint is applied on the monoblock structure to protect the cabinet from corrosion, heat, icing and environmental effect. There is insulation material between the double-walled structure.



Color Options

RAL7035 Light Grey

RAL9005 Black



Ventilation

There is no ventilation system in IP68 class. Optionally, it can be air conditioned with air conditioning.

Double Wall Structure

Double-walled and insulated structure provides high protection against accidental contact, vandalism, adverse weather conditions and environmental impact. The outer wall is 1.5mm and the inner wall is 1.0mm, both of them DX51D galvanized steel. Considering environmental conditions and impact; double-walled, 9mm polyurethane thermal insulation material is used in the cabinets. This insulated structure is an effective solution to keep the cabinet's internal temperature on same level in extreme weather conditions.

Water and Dust Proof

Polyurethane gasket is applied to the door of the cabinet.

Locking Mechanism

At least two toggle latches are used in the cabins. When cabin length increases, the number of tension locks use in the cabinets increases.

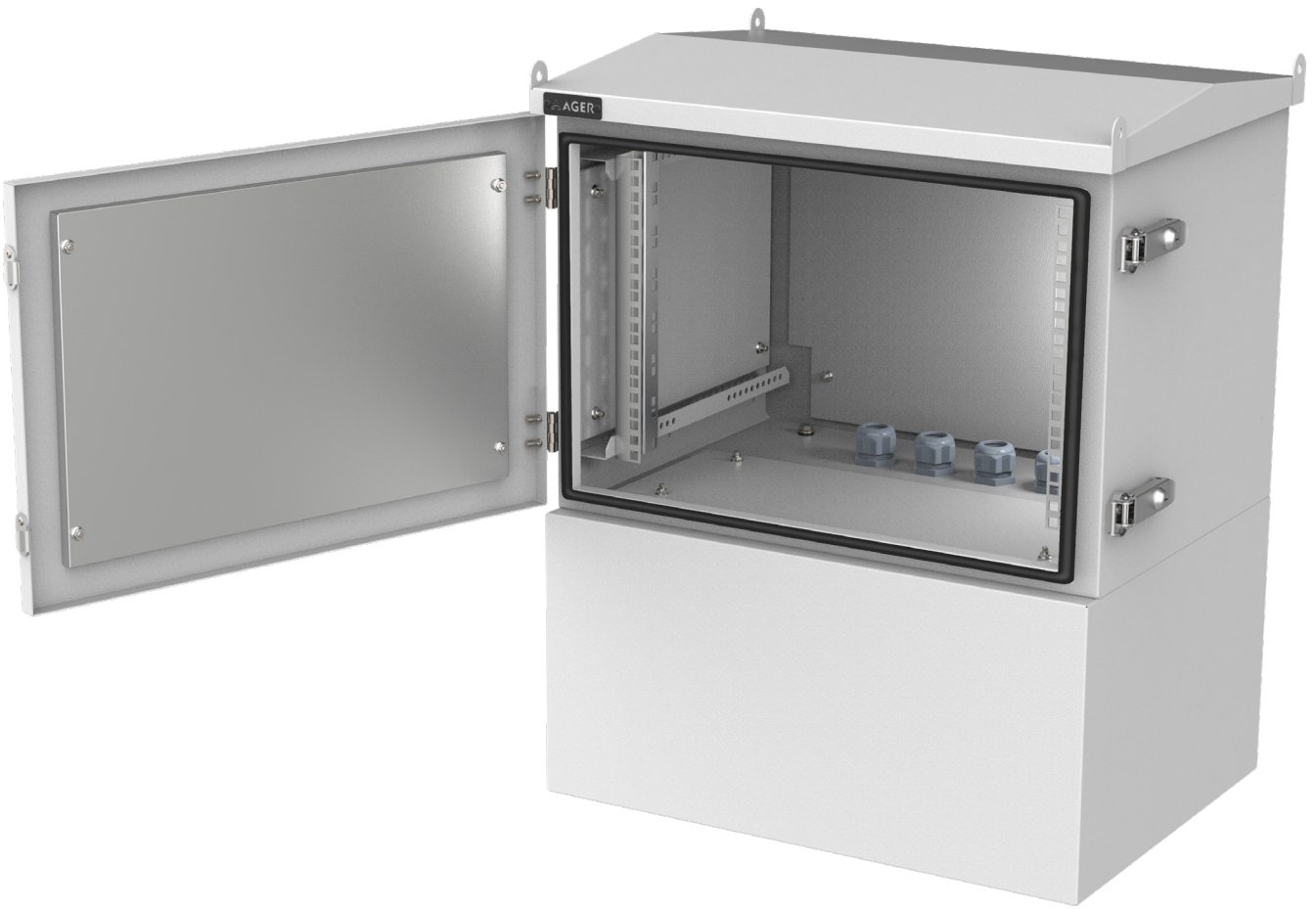
Protection Paint

Polyester paint which is suitable for outdoor conditions applied. It protects against Environmental influence and weather conditions. Standard colour is RAL 7035 polyester outdoor paint. As an option, primer can be applied before painting for higher protection and longevity



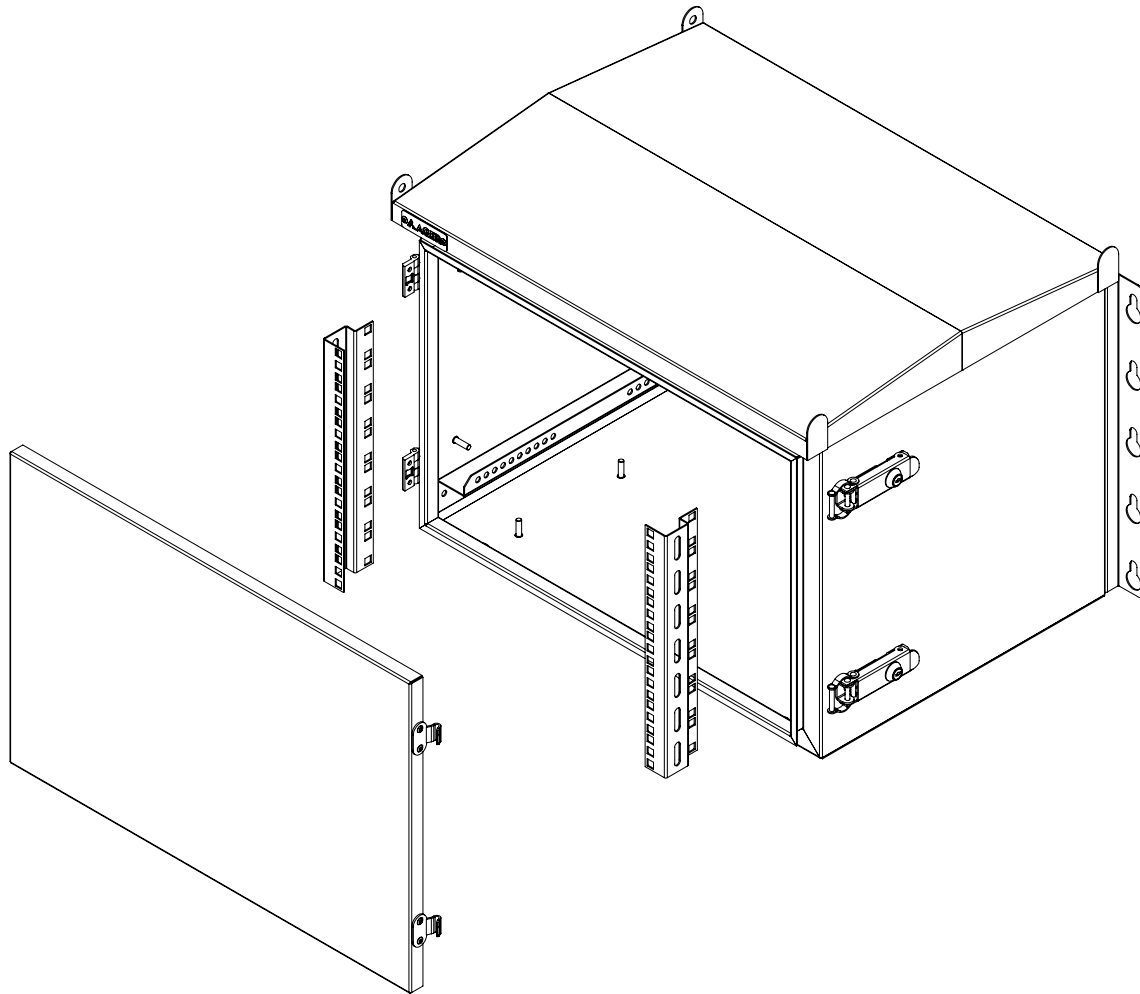
19" Mounting Rails

Mounting rails are adjustable along the depth of the cabinet. Made of 1.5mm DX51D+ZN275 material and "U" numbered for easy installation.



Cable Entry

There is no cable entry in the cabinets due to IP68 class. It can be optionally added upon request. Standard cable entry; 1XPG29, 2XPG21 and 1XØ28 PVC blind cap.



Material

- DX51D Galvanized Sheet Metal

IP Classification

- IP68 as a standart

Color Options

- RAL9005 Black
- RAL7035 Light Grey

Doors

- Single Complete Metal cover option is available.
- Cover can be opened 180°.
- Cover direction cannot be changed.

Mounting Rails

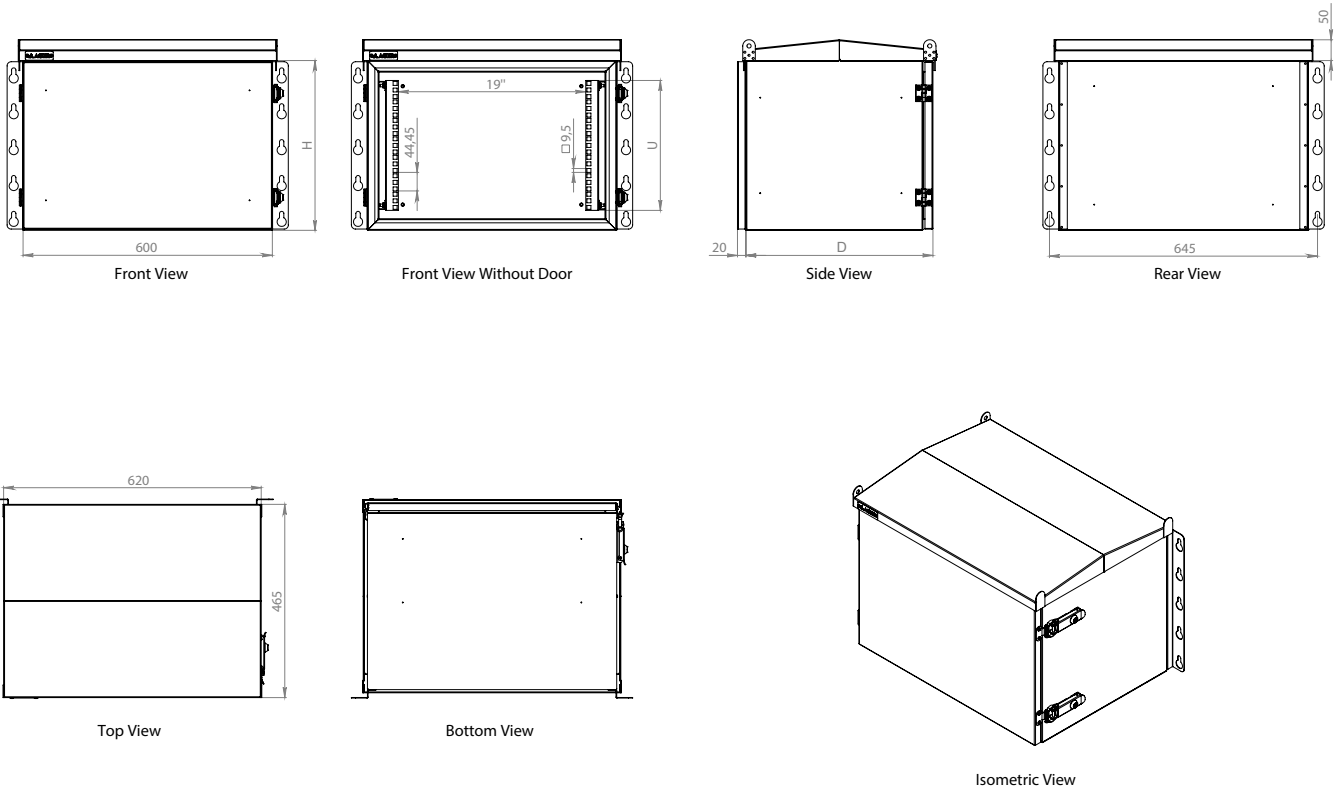
- 1.5mm DX51D galvanized sheet metal
- 19" Device uprights; to be used cabinet according to the depth of the equipment can be easily adjusted along the length.

Loading Capacity

- Recommended up to 100 kg Loading capacity

Ground Contact

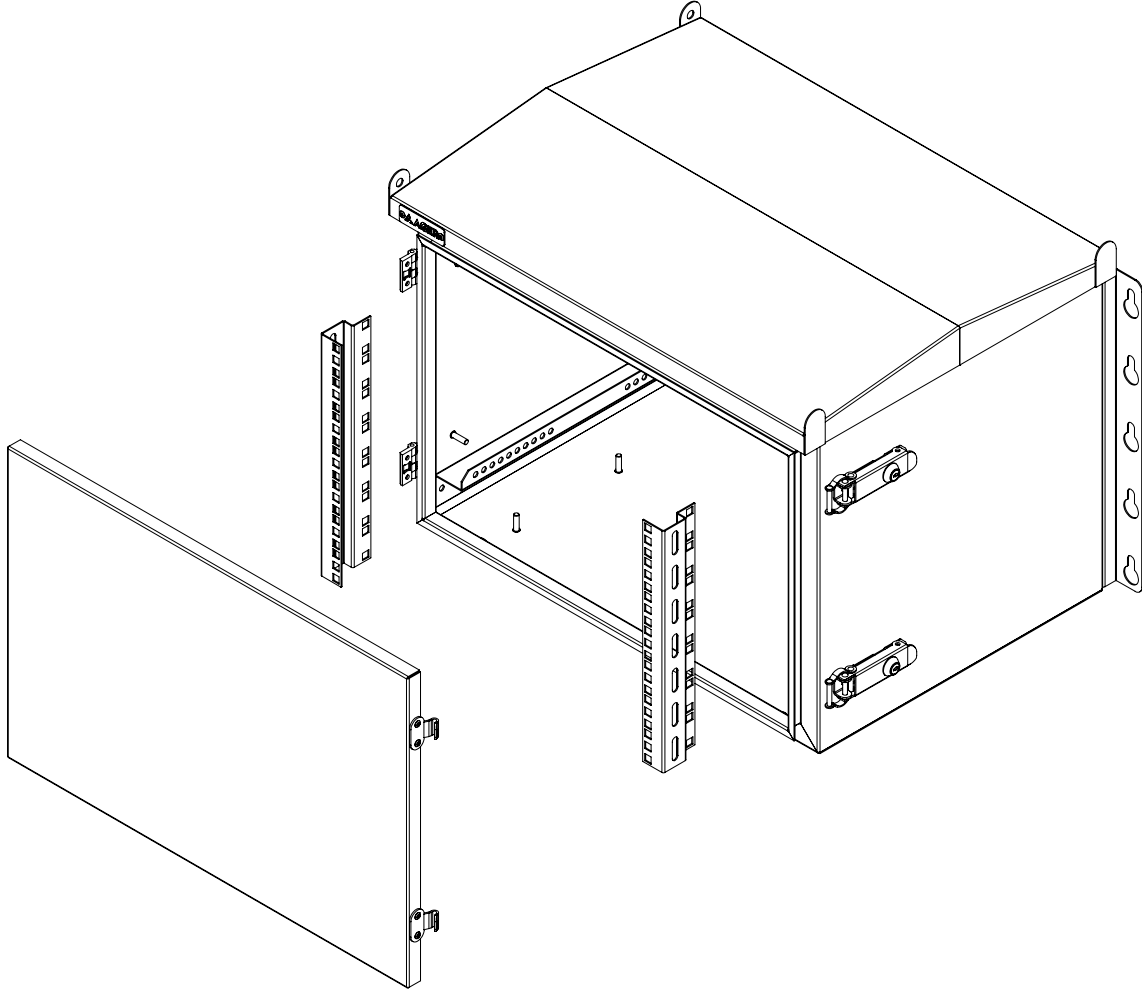
- Plinth is available as an option.



IP68 OUTDOOR CABINET

Product Code	Product Description	Height Size in U	Width (w) (mm)	Depth (D) (mm)	Height (H) (mm)	Weight (Net) (kg)	Weight (Gross) (kg)
AG-IP687U6045B2-D-A-M1	07U 19" IP68 Outdoor Cabinets (DX51D Galvanized) W=600mm D=450mm	7U	600	450	459	32	33
AG-IP689U6045B2-D-A-M1	09U 19" IP68 Outdoor Cabinets (DX51D Galvanized) W=600mm D=450mm	9U	600	450	548	36	37
AG-IP6812U6045B2-D-A-M1	12U 19" IP68 Outdoor Cabinets (DX51D Galvanized) W=600mm D=450mm	12U	600	450	681	42	43
AG-IP6816U6045B2-D-A-M1	16U 19" IP68 Outdoor Cabinets (DX51D Galvanized) W=600mm D=450mm	16U	600	450	859	50	51
AG-IP6820U6045B2-D-A-M1	20U 19" IP68 Outdoor Cabinets (DX51D Galvanized) W=600mm D=450mm	20U	600	450	1037	58	59
AG-IP6822U6045B2-D-A-M1	22U 19" IP68 Outdoor Cabinets (DX51D Galvanized) W=600mm D=450mm	22U	600	450	1126	62	63
AG-IP6824U6045B2-D-A-M1	24U 19" IP68 Outdoor Cabinets (DX51D Galvanized) W=600mm D=450mm	24U	600	450	1215	66	67
AG-IP6826U6045B2-D-A-M1	26U 19" IP68 Outdoor Cabinets (DX51D Galvanized) W=600mm D=450mm	26U	600	450	1304	70	71
AG-IP687U6060B2-D-A-M1	07U 19" IP68 Outdoor Cabinets (DX51D Galvanized) W=600mm D=600mm	7U	600	600	459	39	40
AG-IP689U6060B2-D-A-M1	09U 19" IP68 Outdoor Cabinets (DX51D Galvanized) W=600mm D=600mm	9U	600	600	548	43	44
AG-IP6812U6060B2-D-A-M1	12U 19" IP68 Outdoor Cabinets (DX51D Galvanized) W=600mm D=600mm	12U	600	600	681	49	50
AG-IP6816U6060B2-D-A-M1	16U 19" IP68 Outdoor Cabinets (DX51D Galvanized) W=600mm D=600mm	16U	600	600	859	57	58
AG-IP6820U6060B2-D-A-M1	20U 19" IP68 Outdoor Cabinets (DX51D Galvanized) W=600mm D=600mm	20U	600	600	1037	65	62
AG-IP6822U6060B2-D-A-M1	22U 19" IP68 Outdoor Cabinets (DX51D Galvanized) W=600mm D=600mm	22U	600	600	1126	69	70
AG-IP6824U6060B2-D-A-M1	24U 19" IP68 Outdoor Cabinets (DX51D Galvanized) W=600mm D=600mm	24U	600	600	1215	73	74
AG-IP6826U6060B2-D-A-M1	26U 19" IP68 Outdoor Cabinets (DX51D Galvanized) W=600mm D=600mm	26U	600	600	1304	77	78

XX = Colour Code, B1 White RAL 7035, S1 Black RAL 9005, during order please specify the colour choice.
 YY = M1 for pre-assembled, D1 for flat pack.



Material

- 304 Quality Stainless Steel Metal

IP Classification

- IP68 as a standart

Color Options

- RAL9005 Black
- RAL7035 Light Grey

Doors

- Single Complete Metal cover option is available.
- Cover can be opened 180°.
- Cover direction cannot be changed.

Mounting Rails

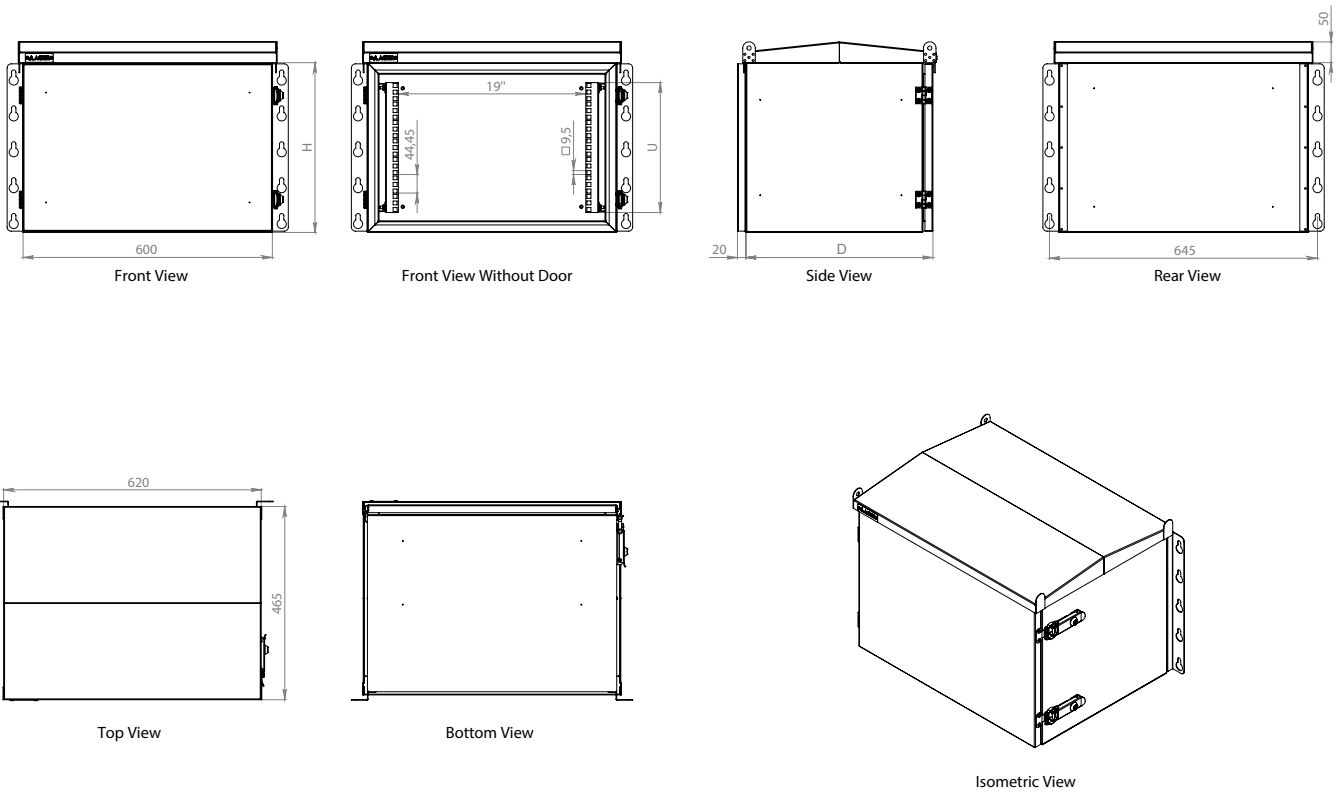
- 304 Quality Stainless Steel Metal
- 19" Device uprights; to be used cabinet according to the depth of the equipment can be easily adjusted along the length.

Loading Capacity

- Recommended up to 100 kg Loading capacity

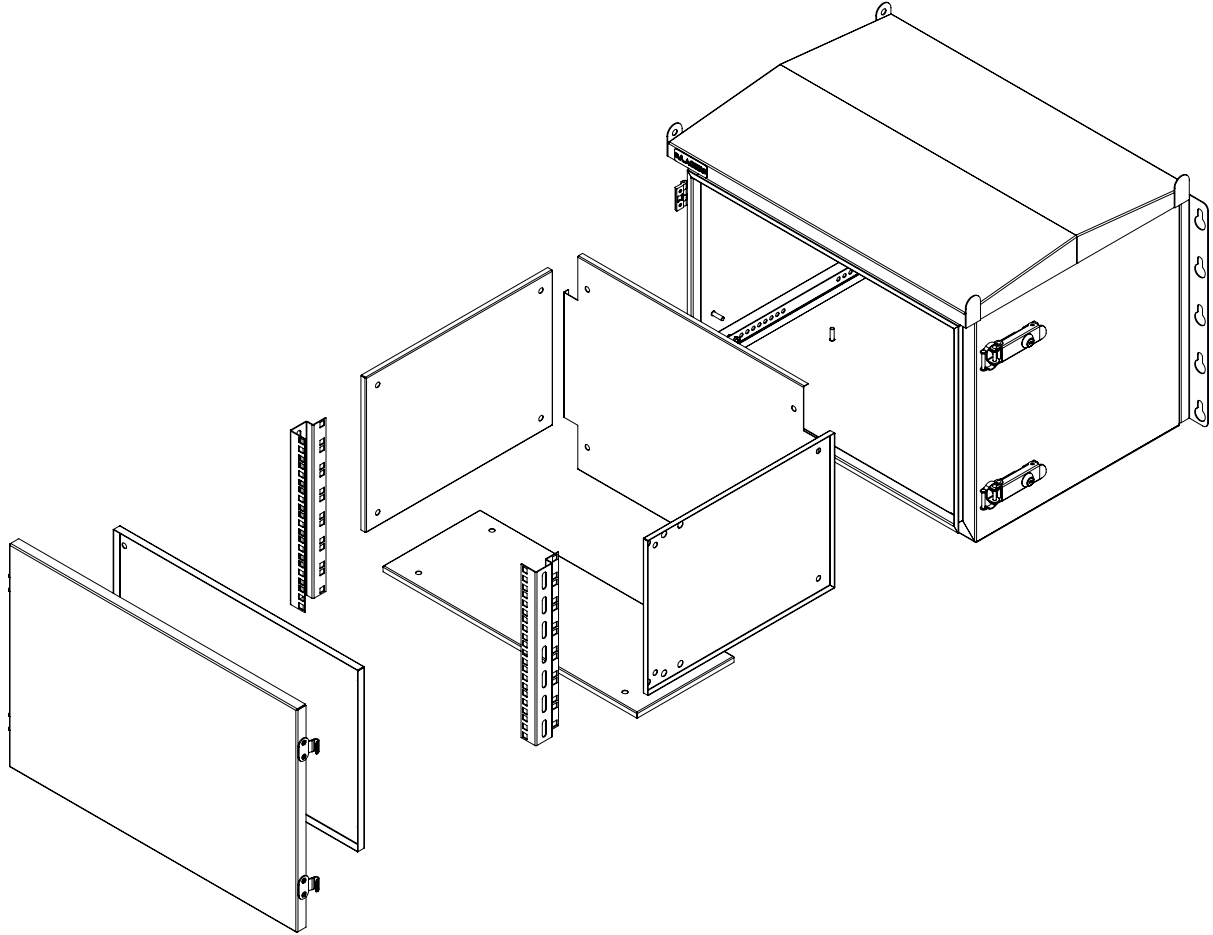
Ground Contact

- Plinth is available as an option.



IP68 OUTDOOR CABINET								
Product Code	Product Description	Height Size in U	Width (w) (mm)	Depth (D) (mm)	Height (H) (mm)	Weight (Net) (kg)	Weight (Gross) (kg)	
AG-IP687U6045B2-304PSL-D-A-M1	07U 19" IP68 Outdoor Cabinets (304 Stainless Steel) W=600mm D=450mm	7U	600	450	459	32	33	
AG-IP689U6045B2-304PSL-D-A-M1	09U 19" IP68 Outdoor Cabinets (304 Stainless Steel) W=600mm D=450mm	9U	600	450	548	36	37	
AG-IP6812U6045B2-304PSL-D-A-M1	12U 19" IP68 Outdoor Cabinets (304 Stainless Steel) W=600mm D=450mm	12U	600	450	681	42	43	
AG-IP6816U6045B2-304PSL-D-A-M1	16U 19" IP68 Outdoor Cabinets (304 Stainless Steel) W=600mm D=450mm	16U	600	450	859	50	51	
AG-IP6820U6045B2-304PSL-D-A-M1	20U 19" IP68 Outdoor Cabinets (304 Stainless Steel) W=600mm D=450mm	20U	600	450	1037	58	59	
AG-IP6822U6045B2-304PSL-D-A-M1	22U 19" IP68 Outdoor Cabinets (304 Stainless Steel) W=600mm D=450mm	22U	600	450	1126	62	63	
AG-IP6824U6045B2-304PSL-D-A-M1	24U 19" IP68 Outdoor Cabinets (304 Stainless Steel) W=600mm D=450mm	24U	600	450	1215	66	67	
AG-IP6826U6045B2-304PSL-D-A-M1	26U 19" IP68 Outdoor Cabinets (304 Stainless Steel) W=600mm D=450mm	26U	600	450	1304	70	71	
AG-IP687U6060B2-304PSL-D-A-M1	07U 19" IP68 Outdoor Cabinets (304 Stainless Steel) W=600mm D=600mm	7U	600	600	459	39	40	
AG-IP689U6060B2-304PSL-D-A-M1	09U 19" IP68 Outdoor Cabinets (304 Stainless Steel) W=600mm D=600mm	9U	600	600	548	43	44	
AG-IP6812U6060B2-304PSL-D-A-M1	12U 19" IP68 Outdoor Cabinets (304 Stainless Steel) W=600mm D=600mm	12U	600	600	681	49	50	
AG-IP6816U6060B2-304PSL-D-A-M1	16U 19" IP68 Outdoor Cabinets (304 Stainless Steel) W=600mm D=600mm	16U	600	600	859	57	58	
AG-IP6820U6060B2-304PSL-D-A-M1	20U 19" IP68 Outdoor Cabinets (304 Stainless Steel) W=600mm D=600mm	20U	600	600	1037	65	62	
AG-IP6822U6060B2-304PSL-D-A-M1	22U 19" IP68 Outdoor Cabinets (304 Stainless Steel) W=600mm D=600mm	22U	600	600	1126	69	70	
AG-IP6824U6060B2-304PSL-D-A-M1	24U 19" IP68 Outdoor Cabinets (304 Stainless Steel) W=600mm D=600mm	24U	600	600	1215	73	74	
AG-IP6826U6060B2-304PSL-D-A-M1	26U 19" IP68 Outdoor Cabinets (304 Stainless Steel) W=600mm D=600mm	26U	600	600	1304	77	78	

XX = Colour Code, B1 White RAL 7035, S1 Black RAL 9005, during order please specify the colour choice.
YY = M1 for pre-assembled, D1 for flat pack.



Material

- DX51D Galvanized Sheet Metal

IP Classification

- IP68 as a standart

Color Options

- RAL9005 Black
- RAL7035 Light Grey

Doors

- Single Complete Metal cover option is available.
- Cover can be opened 180°.
- Cover direction cannot be changed.

Mounting Rails

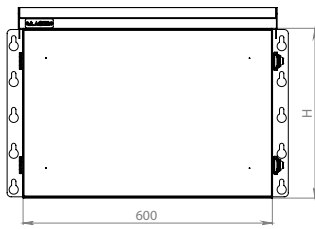
- 1.5mm DX51D galvanized sheet metal
- 19" Device uprights; to be used cabinet according to the depth of the equipment can be easily adjusted along the length.

Loading Capacity

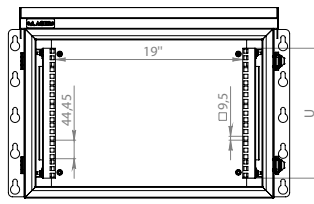
- Recommended up to 100 kg Loading capacity

Ground Contact

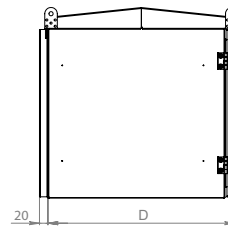
- Plinth is available as an option.



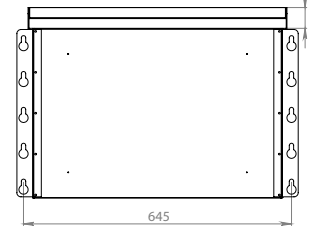
Front View



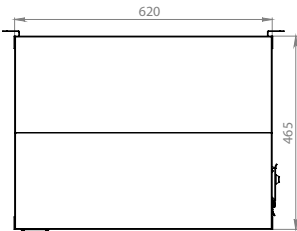
Front View Without Door



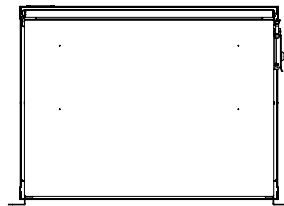
Side View



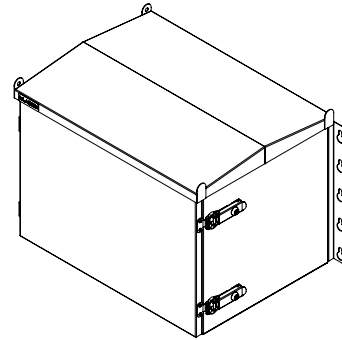
Rear View



Top View



Bottom View

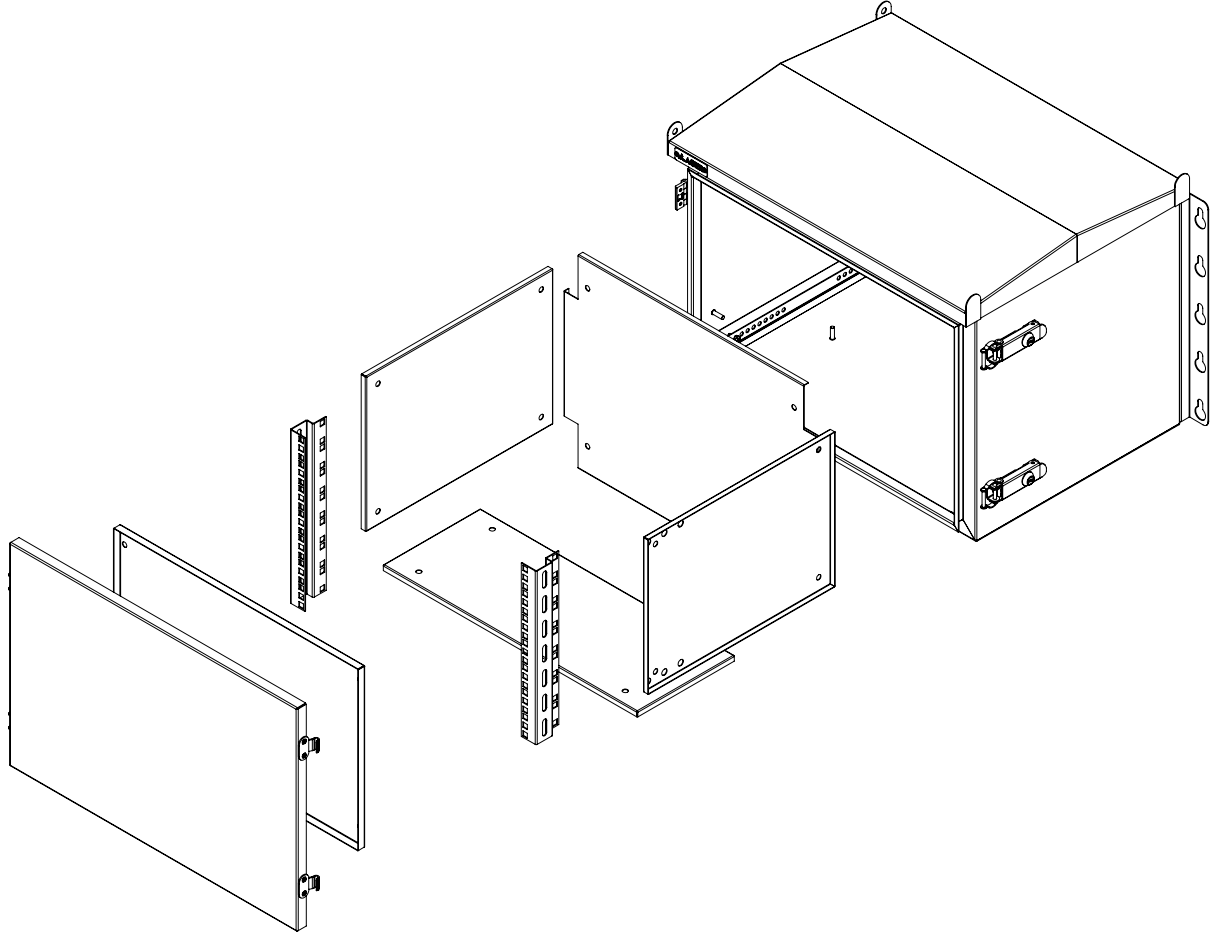


Isometric View

IP68 OUTDOOR CABINET

Product Code	Product Description	Height Size in U	Width (w) (mm)	Depth (D) (mm)	Height (H) (mm)	Weight (Net) (kg)	Weight (Gross) (kg)
AG-IP68D7U6045B2-D-A-M1	07U 19" IP68 Double Wall Outdoor Cabinets (DX51D Galvanized) W=600mm D=450mm	7U	600	450	459	38	39
AG-IP68D9U6045B2-D-A-M1	09U 19" IP68 Double Wall Outdoor Cabinets (DX51D Galvanized) W=600mm D=450mm	9U	600	450	548	42	43
AG-IP68D12U6045B2-D-A-M1	12U 19" IP68 Double Wall Outdoor Cabinets (DX51D Galvanized) W=600mm D=450mm	12U	600	450	681	48	49
AG-IP68D16U6045B2-D-A-M1	16U 19" IP68 Double Wall Outdoor Cabinets (DX51D Galvanized) W=600mm D=450mm	16U	600	450	859	56	57
AG-IP68D20U6045B2-D-A-M1	20U 19" IP68 Double Wall Outdoor Cabinets (DX51D Galvanized) W=600mm D=450mm	20U	600	450	1037	58	59
AG-IP68D22U6045B2-D-A-M1	22U 19" IP68 Double Wall Outdoor Cabinets (DX51D Galvanized) W=600mm D=450mm	22U	600	450	1126	62	63
AG-IP68D24U6045B2-D-A-M1	24U 19" IP68 Double Wall Outdoor Cabinets (DX51D Galvanized) W=600mm D=450mm	24U	600	450	1215	66	67
AG-IP68D26U6045B2-D-A-M1	26U 19" IP68 Double Wall Outdoor Cabinets (DX51D Galvanized) W=600mm D=450mm	26U	600	450	1304	70	71
AG-IP68D7U6060B2-D-A-M1	07U 19" IP68 Double Wall Outdoor Cabinets (DX51D Galvanized) W=600mm D=600mm	7U	600	600	459	49	50
AG-IP68D9U6060B2-D-A-M1	09U 19" IP68 Double Wall Outdoor Cabinets (DX51D Galvanized) W=600mm D=600mm	9U	600	600	548	53	54
AG-IP68D12U6060B2-D-A-M1	12U 19" IP68 Double Wall Outdoor Cabinets (DX51D Galvanized) W=600mm D=600mm	12U	600	600	681	59	60
AG-IP68D16U6060B2-D-A-M1	16U 19" IP68 Double Wall Outdoor Cabinets (DX51D Galvanized) W=600mm D=600mm	16U	600	600	859	67	68
AG-IP68D20U6060B2-D-A-M1	20U 19" IP68 Double Wall Outdoor Cabinets (DX51D Galvanized) W=600mm D=600mm	20U	600	600	1037	75	76
AG-IP68D22U6060B2-D-A-M1	22U 19" IP68 Double Wall Outdoor Cabinets (DX51D Galvanized) W=600mm D=600mm	22U	600	600	1126	79	80
AG-IP68D24U6060B2-D-A-M1	24U 19" IP68 Double Wall Outdoor Cabinets (DX51D Galvanized) W=600mm D=600mm	24U	600	600	1215	83	84
AG-IP68D26U6060B2-D-A-M1	26U 19" IP68 Double Wall Outdoor Cabinets (DX51D Galvanized) W=600mm D=600mm	26U	600	600	1304	87	88

XX = Colour Code, B1 White RAL 7035, S1 Black RAL 9005, during order please specify the colour choice.
YY = M1 for pre-assembled, D1 for flat pack.



Material

- 304 Quality Stainless Steel Metal

IP Classification

- IP68 as a standart

Color Options

- RAL9005 Black
- RAL7035 Light Grey

Doors

- Single Complete Metal cover option is available.
- Cover can be opened 180°.
- Cover direction cannot be changed.

Mounting Rails

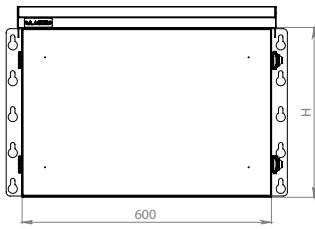
- 304 Quality Stainless Steel Metal
- 19" Device uprights; to be used cabinet according to the depth of the equipment can be easily adjusted along the length.

Loading Capacity

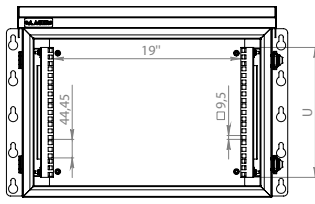
- Recommended up to 100 kg Loading capacity

Ground Contact

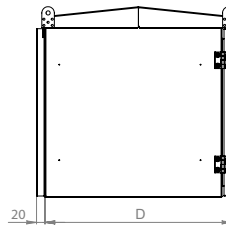
- Plinth is available as an option.



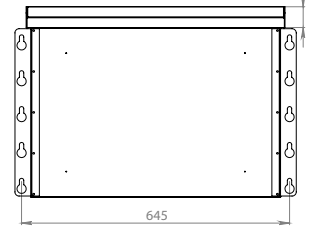
Front View



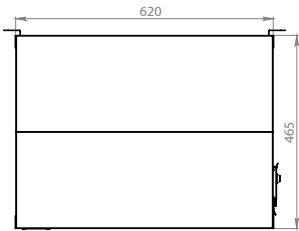
Front View Without Door



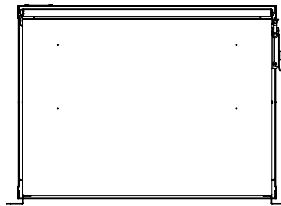
Side View



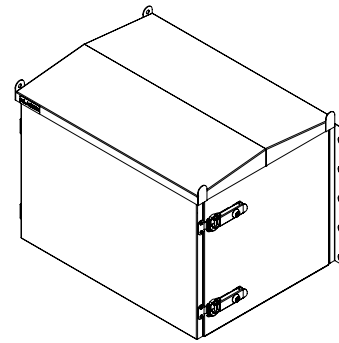
Rear View



Top View



Bottom View



Isometric View

IP68 OUTDOOR CABINET

Product Code	Product Description	Height Size in U	Width (w) (mm)	Depth (D) (mm)	Height (H) (mm)	Weight (Net) (kg)	Weight (Gross) (kg)
AG-IP68D7U6045B2-304PSL-D-A-M1	07U 19" IP68 Double Wall Outdoor Cabinets (304 Stainless Steel) W=600mm D=450mm	7U	600	450	459	38	39
AG-IP68D9U6045B2-304PSL-D-A-M1	09U 19" IP68 Double Wall Outdoor Cabinets (304 Stainless Steel) W=600mm D=450mm	9U	600	450	548	42	43
AG-IP68D12U6045B2-304PSL-D-A-M1	12U 19" IP68 Double Wall Outdoor Cabinets (304 Stainless Steel) W=600mm D=450mm	12U	600	450	681	48	49
AG-IP68D16U6045B2-304PSL-D-A-M1	16U 19" IP68 Double Wall Outdoor Cabinets (304 Stainless Steel) W=600mm D=450mm	16U	600	450	859	56	57
AG-IP68D20U6045B2-304PSL-D-A-M1	20U 19" IP68 Double Wall Outdoor Cabinets (304 Stainless Steel) W=600mm D=450mm	20U	600	450	1037	58	59
AG-IP68D22U6045B2-304PSL-D-A-M1	22U 19" IP68 Double Wall Outdoor Cabinets (304 Stainless Steel) W=600mm D=450mm	22U	600	450	1126	62	63
AG-IP68D24U6045B2-304PSL-D-A-M1	24U 19" IP68 Double Wall Outdoor Cabinets (304 Stainless Steel) W=600mm D=450mm	24U	600	450	1215	66	67
AG-IP68D26U6045B2-304PSL-D-A-M1	26U 19" IP68 Double Wall Outdoor Cabinets (304 Stainless Steel) W=600mm D=450mm	26U	600	450	1304	70	71
AG-IP68D7U6060B2-304PSL-D-A-M1	07U 19" IP68 Double Wall Outdoor Cabinets (304 Stainless Steel) W=600mm D=600mm	7U	600	600	459	49	50
AG-IP68D9U6060B2-304PSL-D-A-M1	09U 19" IP68 Double Wall Outdoor Cabinets (304 Stainless Steel) W=600mm D=600mm	9U	600	600	548	53	54
AG-IP68D12U6060B2-304PSL-D-A-M1	12U 19" IP68 Double Wall Outdoor Cabinets (304 Stainless Steel) W=600mm D=600mm	12U	600	600	681	59	60
AG-IP68D16U6060B2-304PSL-D-A-M1	16U 19" IP68 Double Wall Outdoor Cabinets (304 Stainless Steel) W=600mm D=600mm	16U	600	600	859	67	68
AG-IP68D20U6060B2-304PSL-D-A-M1	20U 19" IP68 Double Wall Outdoor Cabinets (304 Stainless Steel) W=600mm D=600mm	20U	600	600	1037	75	76
AG-IP68D22U6060B2-304PSL-D-A-M1	22U 19" IP68 Double Wall Outdoor Cabinets (304 Stainless Steel) W=600mm D=600mm	22U	600	600	1126	79	80
AG-IP68D24U6060B2-304PSL-D-A-M1	24U 19" IP68 Double Wall Outdoor Cabinets (304 Stainless Steel) W=600mm D=600mm	24U	600	600	1215	83	84
AG-IP68D26U6060B2-304PSL-D-A-M1	26U 19" IP68 Double Wall Outdoor Cabinets (304 Stainless Steel) W=600mm D=600mm	26U	600	600	1304	87	88

XX = Colour Code, B1 White RAL 7035, S1 Black RAL 9005, during order please specify the colour choice.
 YY = M1 for pre-assembled, D1 for flat pack.