



The working offices.

Microdata center is consisting of cabinets that can be placed in a single row or by a single cabin. In Micro Data Center Solutions, all the infrastructure parts needed for a data center are all in one integrated structure.

Such as; server and/or network cabinets, hot-cold aisle structure, uninterrupted power supply, Precision Air Conditioners, energy distribution, server power distribution units (PDU), fire detection and extinguishing system, monitoring and management devices, physical security and cameras.

IT infrastructure solutions.

Nowadays all businesses need server, network and security infrastructure in their offices and facilities in order to carry out their internet-based services and needs (such as e-mail, financial transactions...). Large enterprises can find solutions to these needs either through the IT rooms they have installed in their facilities or through the services they receive from large data centers. Besides that, especially in the vast majority of small and medium-sized enterprises do not have appropriate physical conditions for safe, secure and traceable data processing room. In these circumstances, there is an increasing need for user-friendly and reliable smart solutions, where every need can be solved at a single place for small and medium-sized IT infrastructure solutions.



SMEs

Micro Data Center Solutions are the integrated product that contains cooling, energy and security needs in a solution at one point. These solutions meet the communication and information infrastructure needs of; public and private enterprises' regional and sub representative offices, small and medium-sized enterprises (SMEs), bank branches and regional points, production facilities, offices of all sizes and all similar enterprises and all their technological devices.

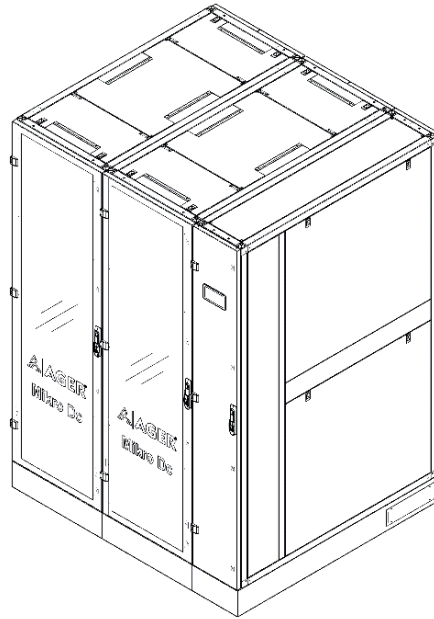
No need for any special room

With Micro Data Center Solutions, there is no need for any special room or construction activity. It is an ideal solution for IT needs that can be installed in areas where architecture can not be allowed any separate room or even it can be placed inside the working offices.

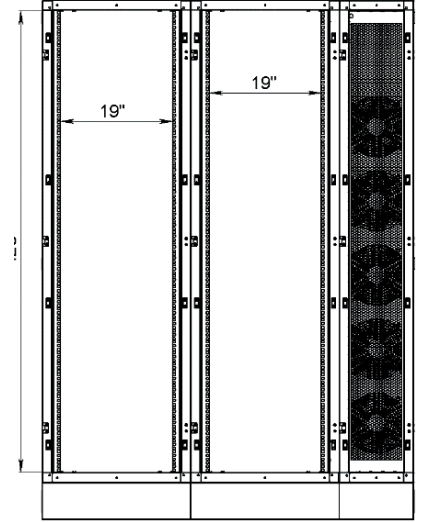




**Micro Data Center
Front View**



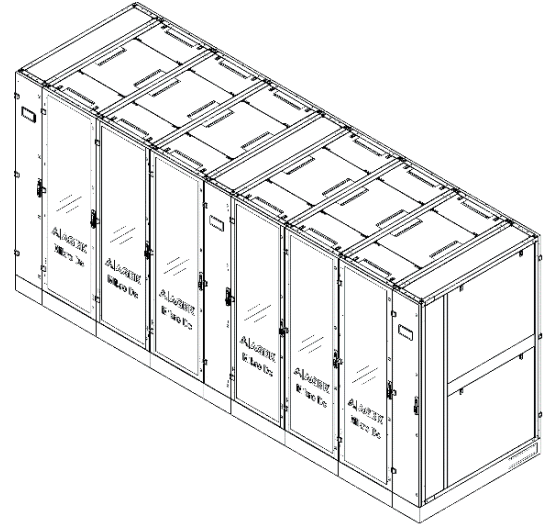
**Micro Data Center
Isometric View**



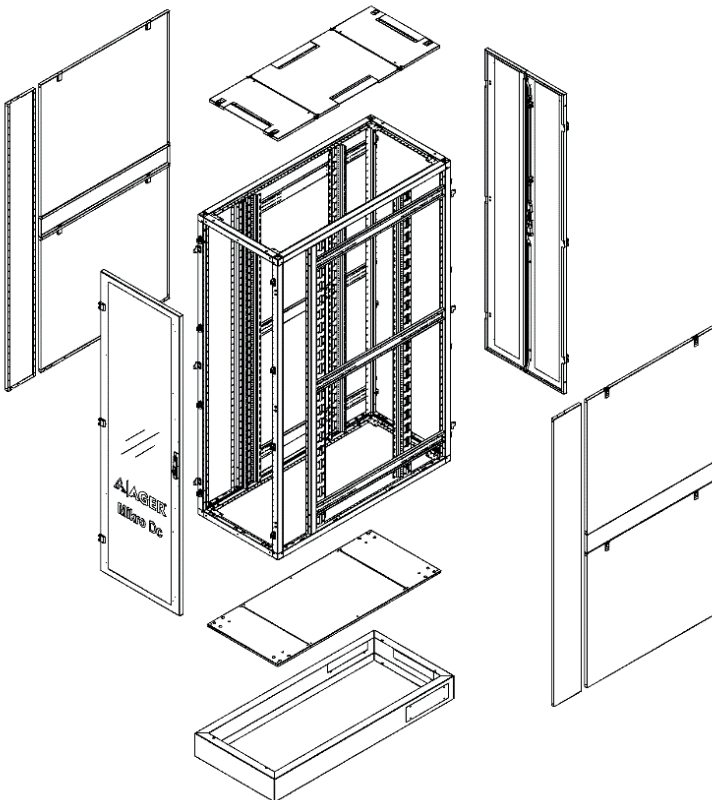
Micro Data Center

SmartBox Micro Data Center				
Power Capacity	kW	4 kW		10 kW
Cabinets	pcs.	2 - 8		
Cabinet Height - H	u	42U	47U	50U
Cabinet Weight - W	mm	600mm	700mm	800mm
Cabinet Depth - D	mm	1250 mm - 1450 mm		
Air Conditionig - Direct Expansion	kW	12 kW	20 kW	25 kW
Air conditioning	-	InRack		
Precision Air Conditioner Backup	-	N (1 pcs.)		
Air conditioning - Electrical Inf.	-	3 faz, 400 volt 50/60Hz		
Air conditioning - Dimansions (HxWxD)	mm	42U/47U/50U x 900 x 1000/1100/1200		
UPS	kVA	10 kVa	30 kVA	45 kVA
UPS Type	-	Rack Type		Modular Type
UPS Backup	-	N	N+1	2N
UPS Battery	min	5 - 30 min. 50/60 Hz		
UPS Elektrical Information	-	3 Faz, 400 Volt, 50/60Hz		
PDU		Basic	Measurable	
PDU - Input Information	-	1 Faz, 230 Volt, 50/60Hz. 32 Amper 3x6mm H05W-F		
PDU - Output Information	-	20-36xC13 + 3-6xC19		
Environment Monitoring		Basic	Professional	
Main Unit		Micro Box, Electronic Controls	1U, Cabinet Type Electronic Controls	
Sensors		Heat, Humidity, Cabinet Door Condition, Water Leakage, Smoke, Air Quality, Movement, Vibration, Earthquake		
Security Door Access and Entry		Biometric, Keypad, RFID		
Security Monitoring		PhotoCam (2pcs.)	IP Cam (1-2pcs.)	

6 Cabin Micro Datacenter
N+1 Inrow Air Conditioning, 8 kW/rack cabinet



Cabinet



Inrow Air Conditioning

