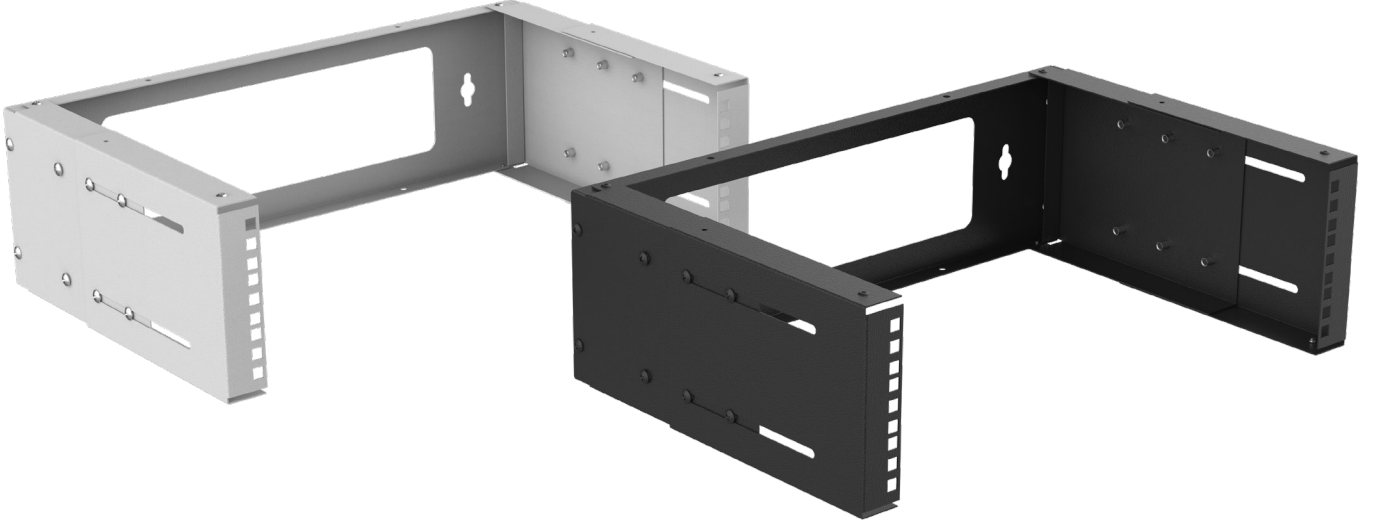


## OW SERIES CABINET

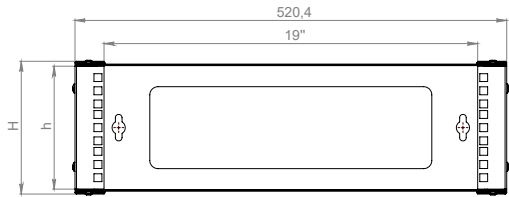
---



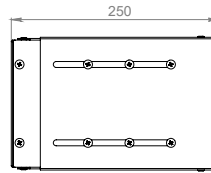
AGER Wall Mounted Rack Series fits perfectly into businesses and facilities that require small volumes with its decorative design and flexible installation ease.

There is no need for a closed cabinet structure in the wall-mounted open rack cabinet system. It is suitable for network applications in clean and dust-free environments.

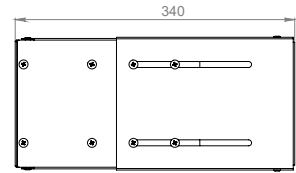
Products that can be positioned inside; network access devices, wireless devices (Wireless Modem / Router), camera recorders (DVR), Telephone connection boxes (Buat or Splitter), Hub / Switch, External Disk, Ups Power Supply. Server Chassis, Computer etc.



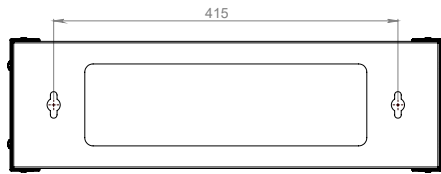
FRONT VIEW



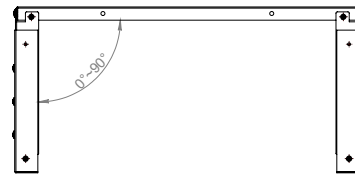
SIDE VIEW



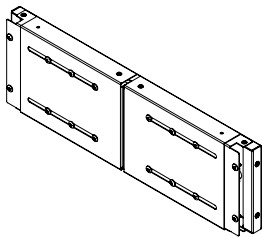
SIDE VIEW OPTION-2



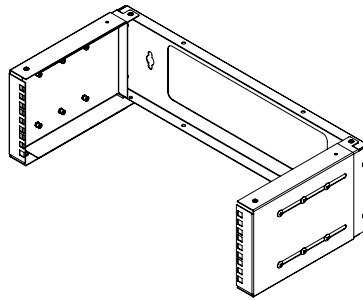
BACK VIEW



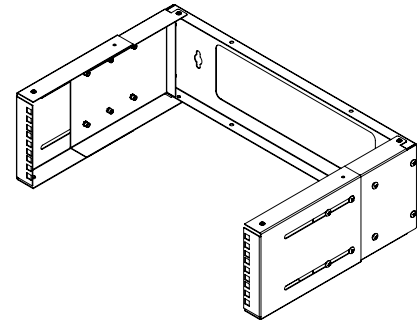
TOP VIEW



ISO VIEW OPTION-1



ISO VIEW OPTION-2



ISO VIEW OPTION-3

### OW SERIES CABINETS

Product Code	Product Description	Width (w) (mm)	Depth (D) (mm)	Height (H) (mm)	Weight (leg) (kg)	Weight (Brkt) (kg)
AG-OW03U2534S1-A-M1	AGER Wall Mounted Rack Series	520	250-340	134	2,6	3