

IP66 WALL TYPE PANEL SERIES



Color Options

RAL7035 Light Grey

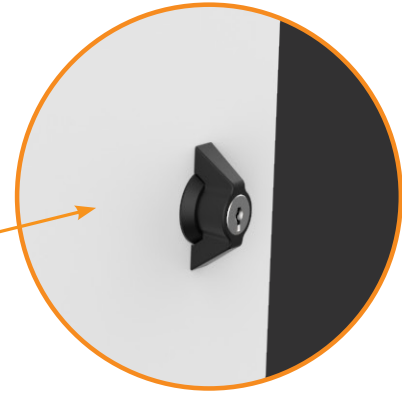
RAL9005 Black



Automation / Electrical Panels are used for electrical distribution, automation, control and control purposes in indoor and outdoor applications. Wall or direct mounting can be realized. Can be used in 19" applications with accessories.



IP66 Outdoor Series Cabinets IP66 protection class outdoor cabinets in accordance with EN60529 standard; Suitable for outdoor conditions for IT solutions, resistant to contact, foreign objects, water and corrosion. Manufactured from DX51D+ZN275 material. Provides IP66 protection class by preventing dust and water ingress thanks to the polyurethane sealed cover



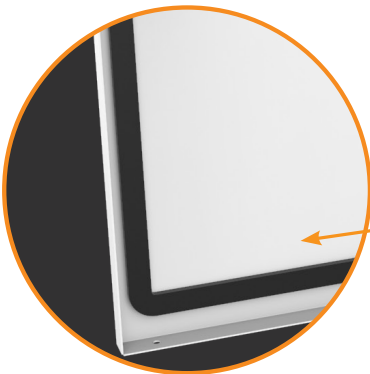
Lock System



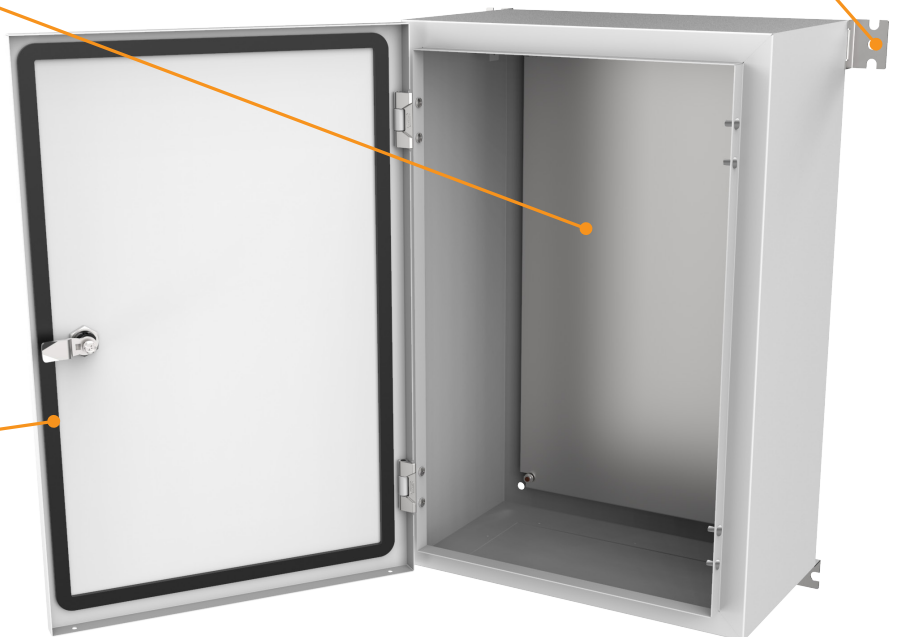
Wall Mounting Bracket



Base Sheet

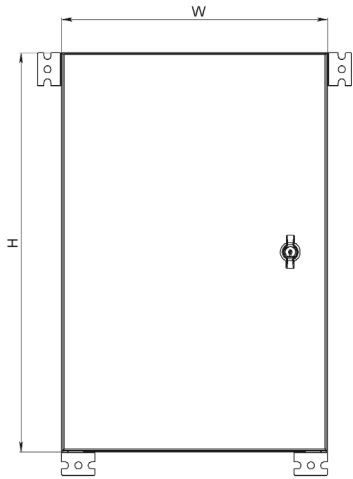


Polutheran Bulk Gasket

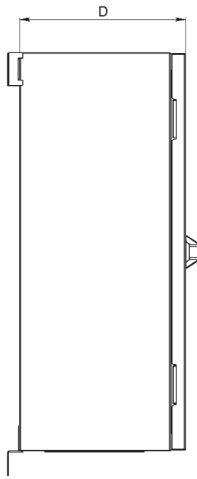


- ✧ Solid welded metal body for high strength.
- ✧ Full compatibility with the cover gasket with edge bends.
- ✧ More space for internal assembly with narrow side bends.
- ✧ The base plate is easily mounted inside the panel. It can be taken out from inside the panel.
- ✧ IP66 protection against dust and water (IEC EN60529)
- ✧ Provides IK10 resistance against external impacts (IEC EN62262)
- ✧ It is painted with 70-90 micron thickness with polyurethane based RAL 7035 rough exterior paint suitable for 1000 hours salt test resistance.
- ✧ High resistance to chemicals.
- ✧ There are single/double locks on the door in proportion to the length of the cabin and the door opening direction can be changed.
- ✧ Zamak hinges have high corrosion resistance.
- ✧ Polyurethane cast gasket for sealing on the cover.
- ✧ Mesan brand high quality locks.
- ✧ Cable entry on the underside, protected by a gasketed cover.
- ✧ Sturdy mounting brackets.

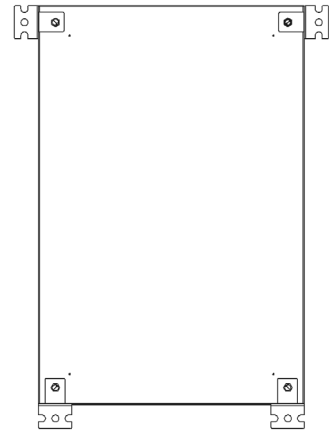
 kg**Maximum Loading Capacity 80 kg**



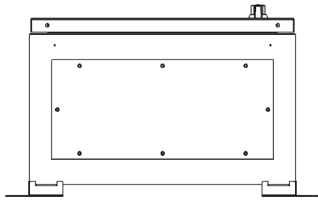
Front View



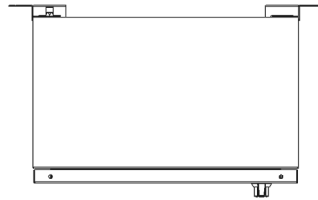
Side View



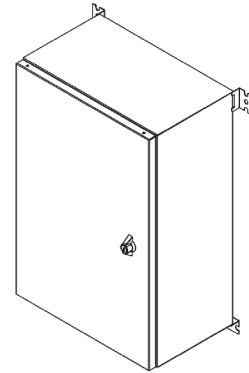
Rear View



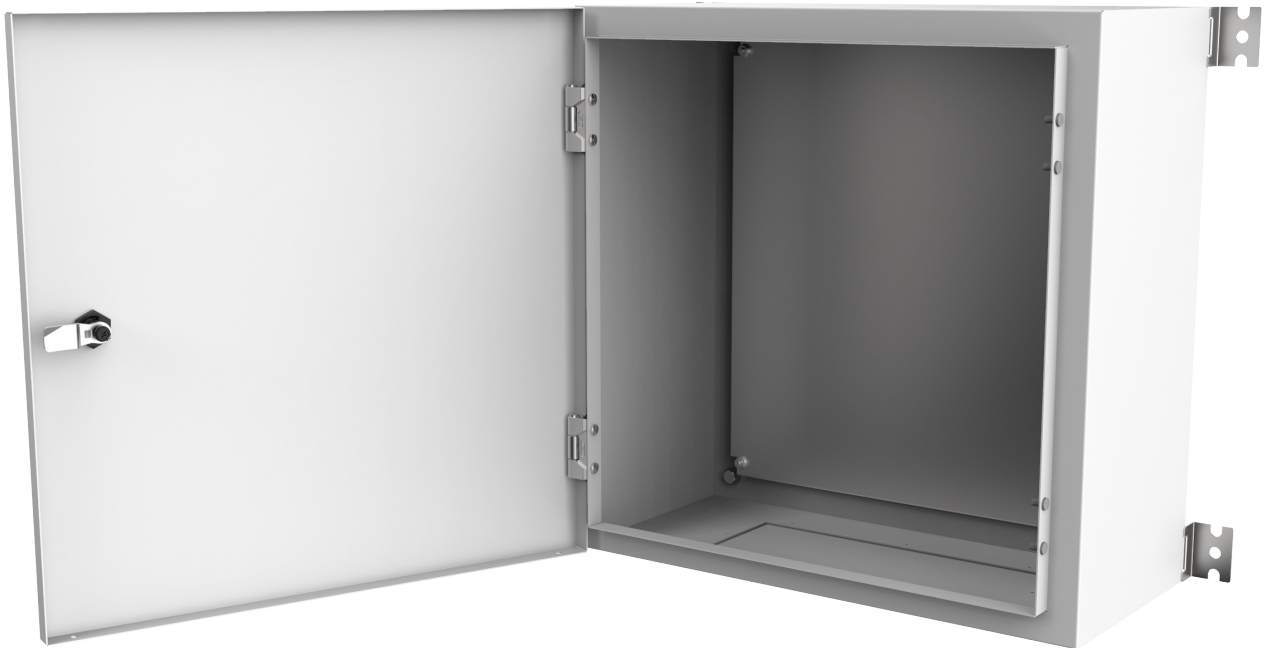
Bottom View



Top View



Isometric View



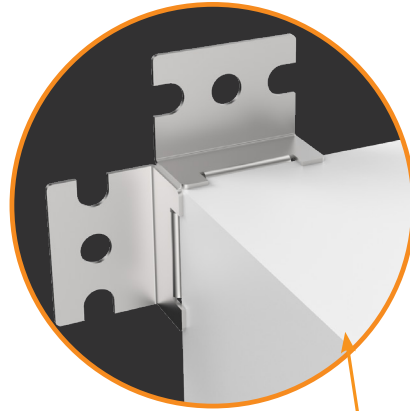
AGER MOUNTED WALL MOUNTED PANEL + WALL APPARATUS

Product Code	Product Description
AG-DP203015B2-D-A-M1	203015 AGER MOUNTED WALL MOUNTED PANEL + WALL APPARATUS (FRONT SHEET METAL DOOR/D- B2 7035 OUTDOOR)
AG-DP303015B2-D-A-M1	303015 AGER MOUNTED WALL MOUNTED PANEL + WALL APPARATUS (FRONT SHEET METAL DOOR/D- B2 7035 OUTDOOR)
AG-DP303020B2-D-A-M1	303020 AGER MOUNTED WALL MOUNTED PANEL + WALL APPARATUS (FRONT SHEET METAL DOOR/D- B2 7035 OUTDOOR)
AG-DP304020B2-D-A-M1	304020 AGER MOUNTED WALL MOUNTED PANEL + WALL APPARATUS(FRONT SHEET METAL DOOR/D- B2 7035 OUTDOOR)
AG-DP403020B2-D-A-M1	403020 AGER MOUNTED WALL MOUNTED PANEL + WALL APPARATUS(FRONT SHEET METAL DOOR/D- B2 7035 OUTDOOR)
AG-DP404020B2-D-A-M1	404020 AGER MOUNTED WALL MOUNTED PANEL + WALL APPARATUS(FRONT SHEET METAL DOOR/D- B2 7035 OUTDOOR)
AG-DP405015B2-D-A-M1	405015 AGER MOUNTED WALL MOUNTED PANEL + WALL APPARATUS (FRONT SHEET METAL DOOR/D- B2 7035 OUTDOOR)
AG-DP405020B2-D-A-M1	405020 AGER MOUNTED WALL MOUNTED PANEL + WALL APPARATUS (FRONT SHEET METAL DOOR/D- B2 7035 OUTDOOR)
AG-DP405025B2-D-A-M1	405025 AGER MOUNTED WALL MOUNTED PANEL + WALL APPARATUS (FRONT SHEET METAL DOOR/D- B2 7035 OUTDOOR)
AG-DP406025B2-D-A-M1	406025 AGER MOUNTED WALL MOUNTED PANEL + WALL APPARATUS (FRONT SHEET METAL DOOR/D- B2 7035 OUTDOOR)
AG-DP505025B2-D-A-M1	505025 AGER MOUNTED WALL MOUNTED PANEL + WALL APPARATUS (FRONT SHEET METAL DOOR/D- B2 7035 OUTDOOR)
AG-DP506020B2-D-A-M1	506020 AGER MOUNTED WALL MOUNTED PANEL + WALL APPARATUS (FRONT SHEET METAL DOOR/D- B2 7035 OUTDOOR)
AG-DP506025B2-D-A-M1	506025 AGER MOUNTED WALL MOUNTED PANEL + WALL APPARATUS (FRONT SHEET METAL DOOR/D- B2 7035 OUTDOOR)
AG-DP507020B2-D-A-M1	507020 AGER MOUNTED WALL MOUNTED PANEL + WALL APPARATUS(FRONT SHEET METAL DOOR/D- B2 7035 OUTDOOR)
AG-DP507025B2-D-A-M1	507025 AGER MOUNTED WALL MOUNTED PANEL + WALL APPARATUS (FRONT SHEET METAL DOOR/D- B2 7035 OUTDOOR)
AG-DP6010020B2-D-A-M1	6010020 AGER MOUNTED WALL MOUNTED PANEL + WALL APPARATUS(FRONT SHEET METAL DOOR/D- B2 7035 OUTDOOR)
AG-DP6010025B2-D-A-M1	6010025 AGER MOUNTED WALL MOUNTED PANEL + WALL APPARATUS (FRONT SHEET METAL DOOR/D- B2 7035 OUTDOOR)
AG-DP6010030B2-D-A-M1	6010030 AGER MOUNTED WALL MOUNTED PANEL + WALL APPARATUS (FRONT SHEET METAL DOOR/D- B2 7035 OUTDOOR)
AG-DP6012020B2-D-A-M1	6012020 AGER MOUNTED WALL MOUNTED PANEL + WALL APPARATUS (FRONT SHEET METAL DOOR/D- B2 7035 OUTDOOR)
AG-DP6012025B2-D-A-M1	6012025 AGER MOUNTED WALL MOUNTED PANEL + WALL APPARATUS (FRONT SHEET METAL DOOR/D- B2 7035 OUTDOOR)
AG-DP6012030B2-D-A-M1	6012030 AGER MOUNTED WALL MOUNTED PANEL + WALL APPARATUS (FRONT SHEET METAL DOOR/D- B2 7035 OUTDOOR)
AG-DP604025B2-D-A-M1	604025 AGER MOUNTED WALL MOUNTED PANEL + WALL APPARATUS(FRONT SHEET METAL DOOR/D- B2 7035 OUTDOOR)
AG-DP606020B2-D-A-M1	606020 AGER MOUNTED WALL MOUNTED PANEL + WALL APPARATUS(FRONT SHEET METAL DOOR/D- B2 7035 OUTDOOR)
AG-DP606022B2-D-A-M1	606022 AGER MOUNTED WALL MOUNTED PANEL (FRONT SHEET METAL DOOR/D- B2 7035 OUTDOOR)
AG-DP606025B2-D-A-M1	606025 AGER MOUNTED WALL MOUNTED PANEL + WALL APPARATUS(FRONT SHEET METAL DOOR/D- B2 7035 OUTDOOR)
AG-DP608020B2-D-A-M1	608020 AGER MOUNTED WALL MOUNTED PANEL + WALL APPARATUS(FRONT SHEET METAL DOOR/D- B2 7035 OUTDOOR)
AG-DP608025B2-D-A-M1	608025 AGER MOUNTED WALL MOUNTED PANEL + WALL APPARATUS(FRONT SHEET METAL DOOR/D- B2 7035 OUTDOOR)
AG-DP608030B2-D-A-M1	608030 AGER MOUNTED WALL MOUNTED PANEL + WALL APPARATUS (FRONT SHEET METAL DOOR/D- B2 7035 OUTDOOR)
AG-DP8010025B2-D-A-M1	8010025 AGER MOUNTED WALL MOUNTED PANEL + WALL APPARATUS(FRONT SHEET METAL DOOR/D- B2 7035 OUTDOOR)
AG-DP8010030B2-D-A-M1	8010030 AGER MOUNTED WALL MOUNTED PANEL + WALL APPARATUS(FRONT SHEET METAL DOOR/D- B2 7035 OUTDOOR)
AG-DP8012030B2-D-A-M1	8012030 AGER MOUNTED WALL MOUNTED PANEL + WALL APPARATUS (FRONT SHEET METAL DOOR/D- B2 7035 OUTDOOR)
AG-DP808030B2-D-A-M1	808030 AGER MOUNTED WALL MOUNTED PANEL + WALL APPARATUS (FRONT SHEET METAL DOOR/D- B2 7035 OUTDOOR)

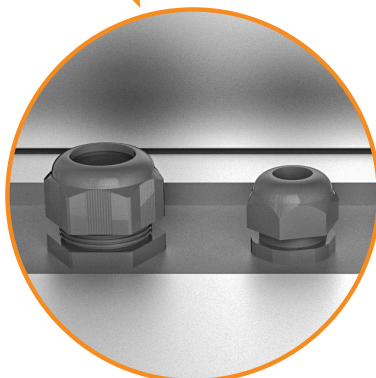
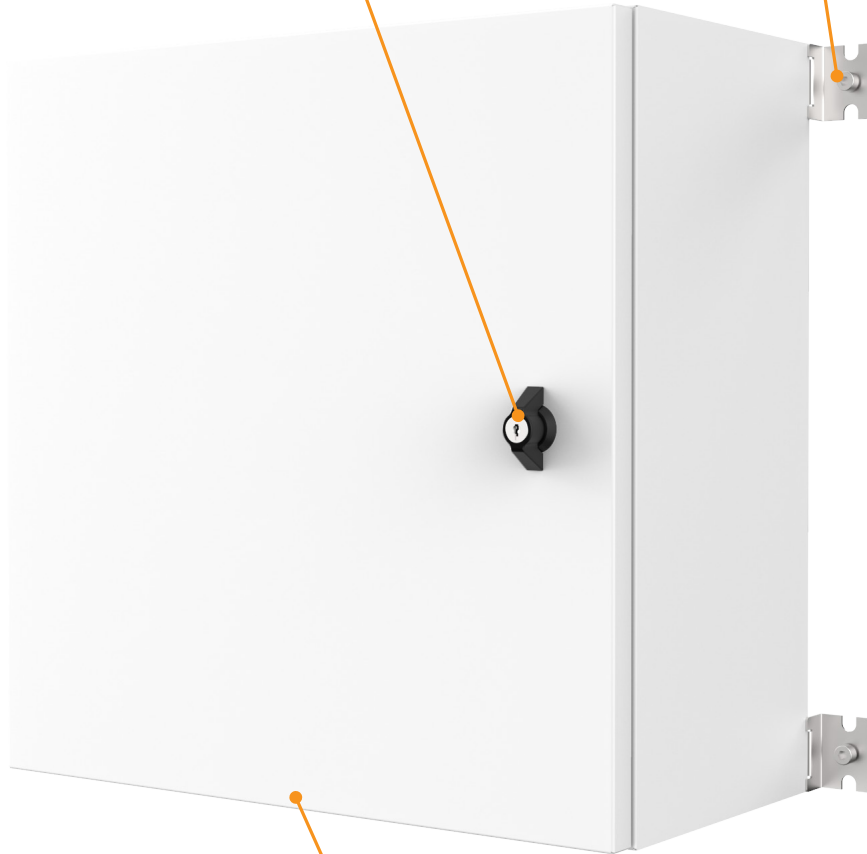
XX = Color Code, B1 White refers to RAL 7035, S1 Black refers to RAL 9005, this information should be conveyed to the representative at the order stage.



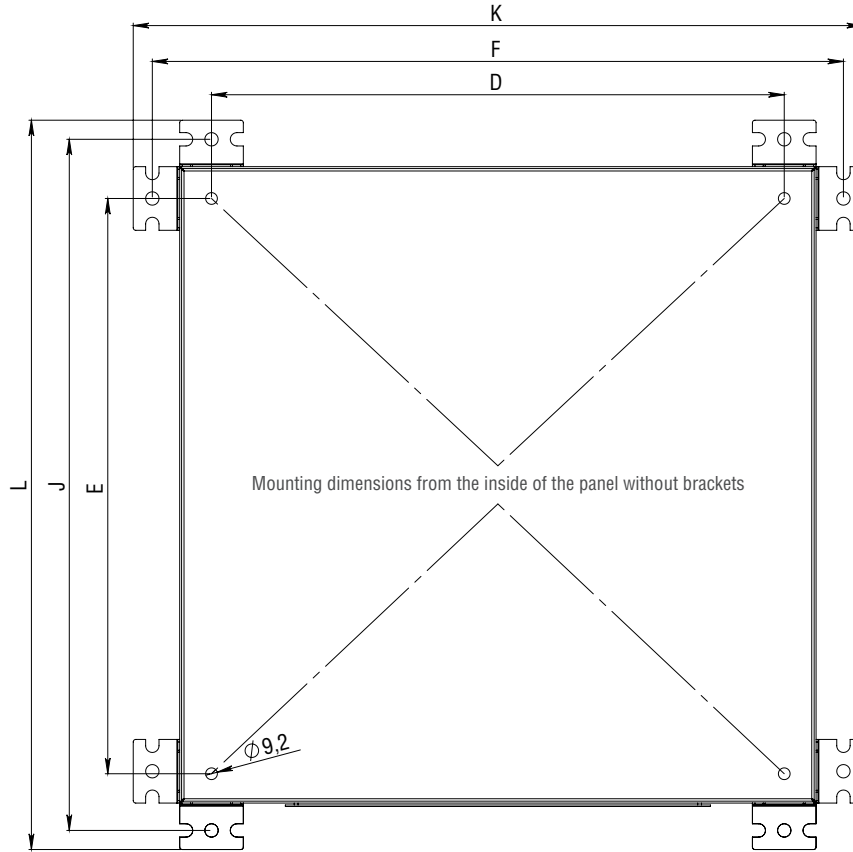
Butterfly Lock



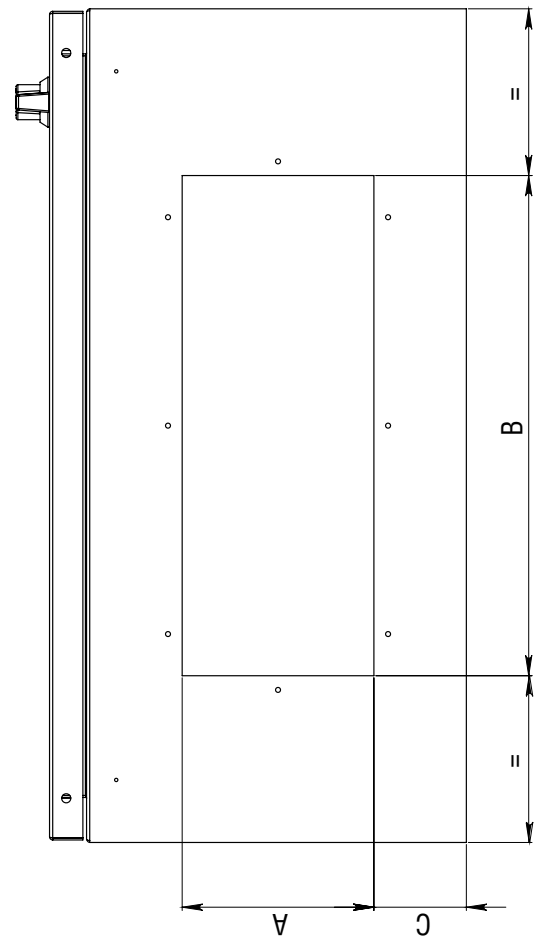
Wall Mounting Bracket



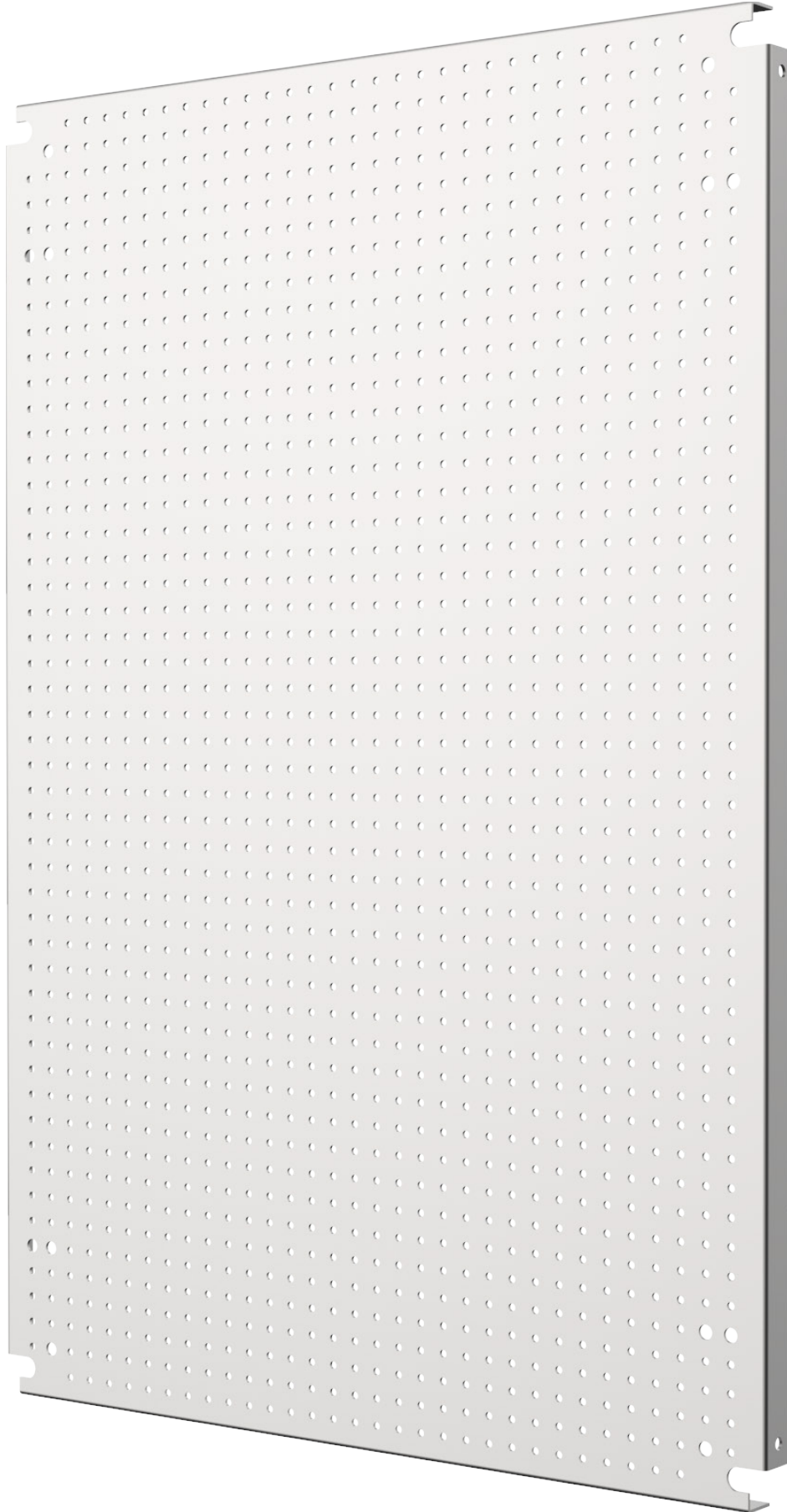
Sub Cable Transit Holes

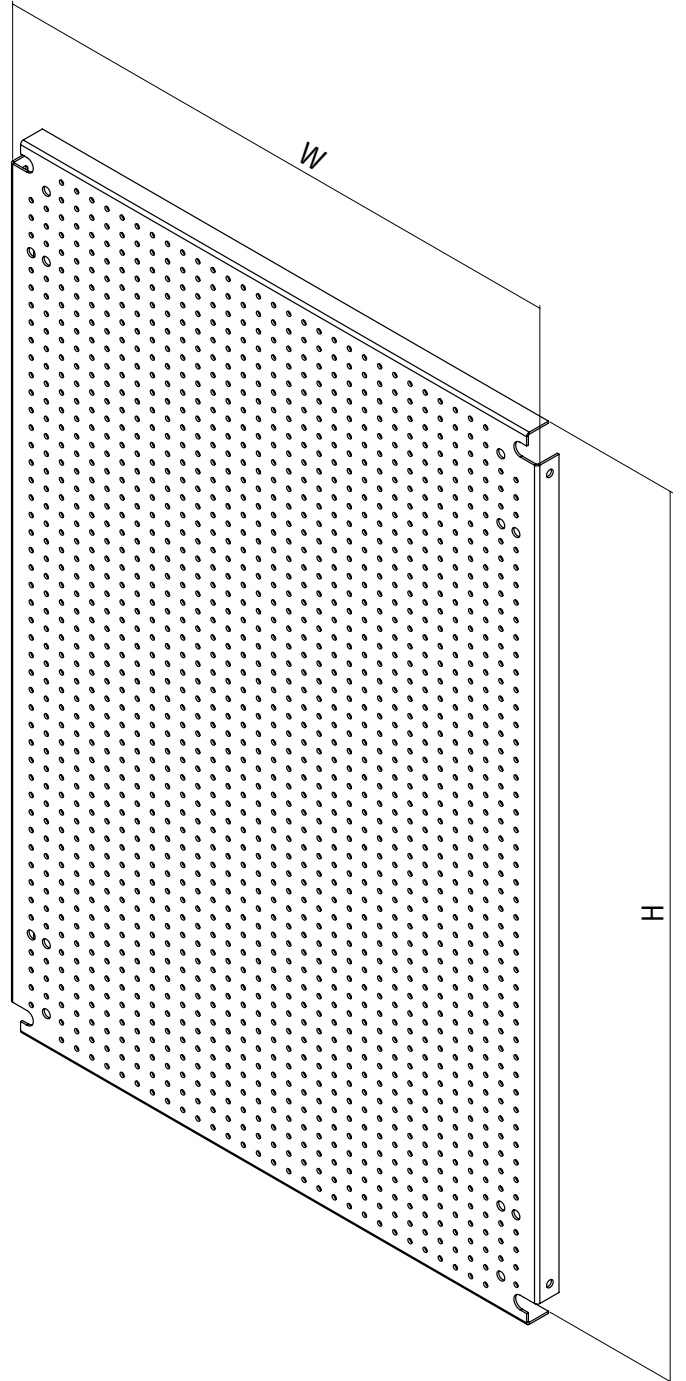
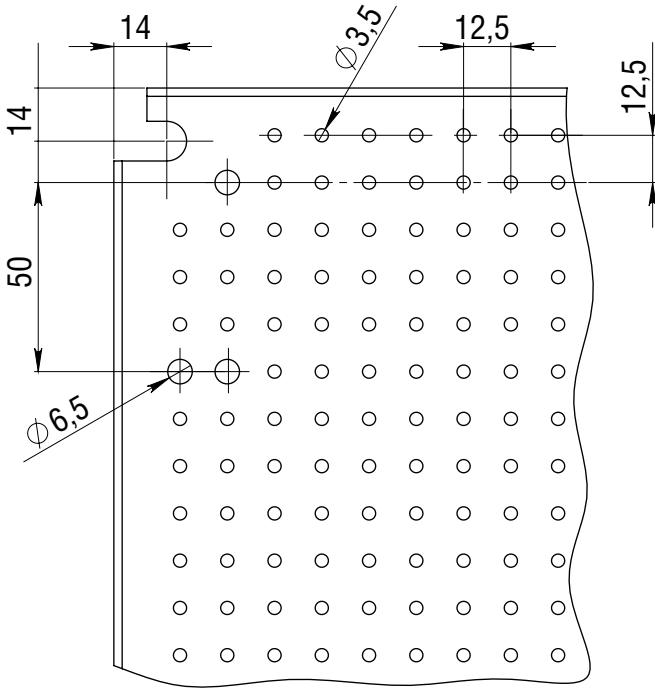


Panel Dimensions		Panel Usable Dimensions		
Width (mm)	Depth (mm)	Width (A) (mm)	Height (B) (mm)	Width (C) (mm)
200	150	75	150	30
300	150	75	150	30
400	150	75	150	30
300	200	75	150	55
500	200	115	300	30
600	200	115	300	30
400	200	115	300	55
400	250	115	300	55
500	250	115	300	55
600	250	150	480	40
800	250	150	480	40
600	300	150	480	65
800	300	150	480	65



Product Code	Panel Dimensions		Mounting Bracket Hole Center Dimensions					
	Width (mm)	Height (mm)	D (mm)	E (mm)	F (mm)	J (mm)	K (mm)	L (mm)
AG-DP203015XX-D-A-M1	200	300	150	250	243	343	273	373
AG-DP303015XX-D-A-M1	300	300	250	250	343	343	373	373
AG-DP304015XX-D-A-M1	300	400	250	350	343	443	373	473
AG-DP405015XX-D-A-M1	400	500	350	450	443	543	473	573
AG-DP303020XX-D-A-M1	300	300	250	250	343	343	373	373
AG-DP304020XX-D-A-M1	300	400	250	350	343	443	373	373
AG-DP403020XX-D-A-M1	400	300	350	250	443	343	473	373
AG-DP404020XX-D-A-M1	400	400	350	350	443	443	473	473
AG-DP405020XX-D-A-M1	400	500	350	450	443	543	473	573
AG-DP406020XX-D-A-M1	400	600	350	550	443	643	473	673
AG-DP506020XX-D-A-M1	500	600	450	550	543	643	573	673
AG-DP507020XX-D-A-M1	500	700	450	650	543	743	573	773
AG-DP608020XX-D-A-M1	600	800	550	750	643	843	673	873
AG-DP6010020XX-D-A-M1	600	1000	550	950	643	1043	673	1073
AG-DP6012020XX-D-A-M1	600	1200	550	1150	643	1243	673	1273
AG-DP405025XX-D-A-M1	400	500	350	450	443	543	473	573
AG-DP406025XX-D-A-M1	400	600	350	550	443	643	473	673
AG-DP505025XX-D-A-M1	500	500	450	450	543	543	573	573
AG-DP506025XX-D-A-M1	500	600	450	550	543	643	573	673
AG-DP507025XX-D-A-M1	500	700	450	650	543	743	573	773
AG-DP604025XX-D-A-M1	600	400	550	350	643	443	673	473
AG-DP606025XX-D-A-M1	600	600	550	550	643	643	673	673
AG-DP608025XX-D-A-M1	600	800	550	750	643	843	673	873
AG-DP6010025XX-D-A-M1	600	1000	550	950	643	1043	673	1073
AG-DP6012025XX-D-A-M1	600	1200	550	1150	643	1243	673	1273
AG-DP8010025XX-D-A-M1	800	1000	750	950	843	1043	873	1073
AG-DP608030XX-D-A-M1	600	800	550	750	643	843	673	873
AG-DP6010030XX-D-A-M1	600	1000	550	950	643	1043	673	1073
AG-DP6012030XX-D-A-M1	600	1200	550	1150	643	1243	673	1273
AG-DP808030XX-D-A-M1	800	800	750	750	843	843	873	873
AG-DP8010030XX-D-A-M1	800	1000	750	950	843	1043	873	1073
AG-DP8012030XX-D-A-M1	800	1200	750	1150	843	1243	873	1273





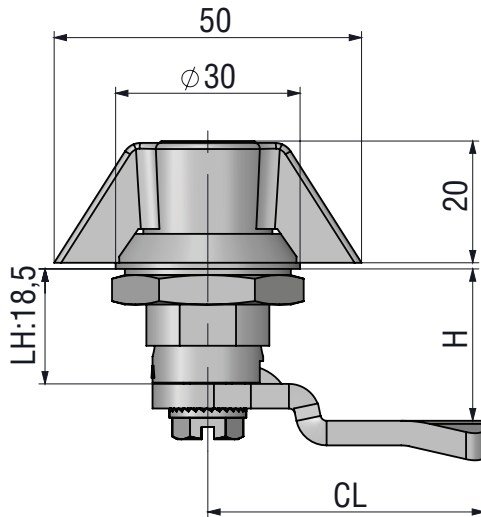
Product Code	Panel Dimensions		W (mm)	H (mm)
	Width (mm)	Height (mm)		
DP-TBS2030-A	200	300	135	237,5
DP-TBS3030-A	300	300	235	237,5
DP-TBS3040-A	300	400	237	337,5
DP-TBS4030-A	400	300	335	237,5
DP-TBS4040-A	400	400	335	337,5
DP-TBS4050-A	400	500	335	437,5
DP-TBS4060-A	400	600	335	537,5
DP-TBS5050-A	500	500	435	437,5
DP-TBS5060-A	500	600	435	537,5
DP-TBS5070-A	500	700	435	637,5
DP-TBS6040-A	600	400	535	337,5
DP-TBS6060-A	600	600	535	537,5
DP-TBS6080-A	600	800	535	737,5
DP-TBS60100-A	600	1000	535	937,5
DP-TBS60120-A	600	1200	535	1137,5
DP-TBS8080-A	800	800	735	737,5
DP-TBS80100-A	800	1000	735	937,5
DP-TBS80120-A	800	1200	735	1137,5

TECHNICAL DETAIL

- ✧ It is used in cabinets exposed to vibration and where sealing is required.
- ✧ 6 mm compression feature.
- ✧ Provides sound insulation.
- ✧ Standard unquoted languages are applied.
- ✧ Two different padlocks can be applied.

MATERIALS

- ✧ Hive: Zamak DIN-EN 1774-ZnAl4Cu1
- ✧ Handle: Zamak DIN-EN 1774-ZnAl4Cu1
- ✧ Tongue: Steel
- ✧ Gasket : Rubber
- ✧ Surface: Chrome plated or black paint

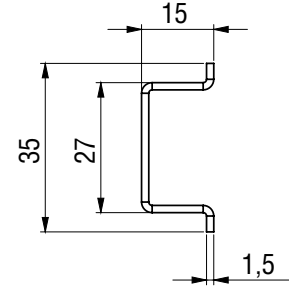
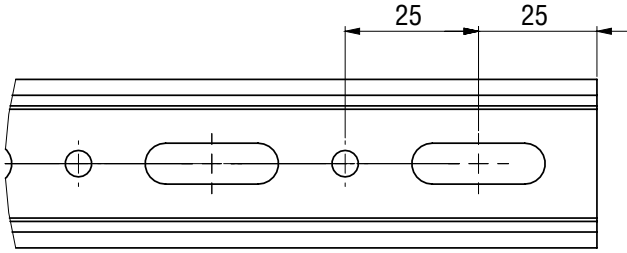
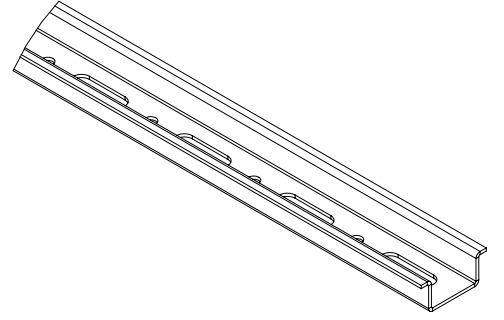


AGER ZAMAK METAL BUTTERFLY LOCK

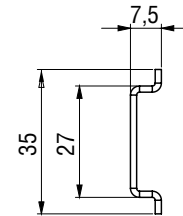
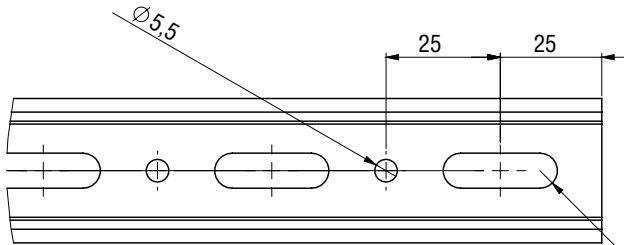
Product Code	Product Description
KG-KL-005	(065120347) AGER ZAMAK METAL BUTTERFLY LOCK



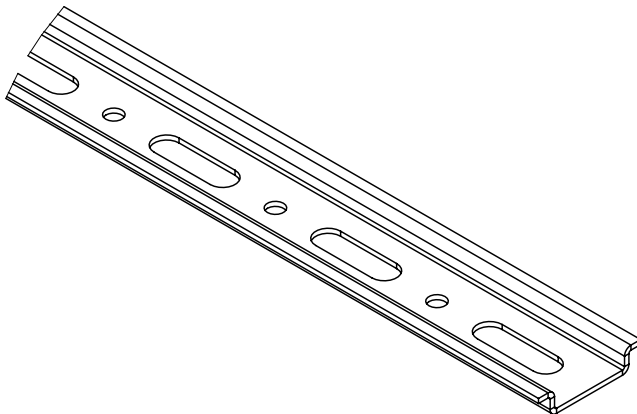
Catalog Code	Panel Height (mm)	Rail Height (mm)	Rail Width (mm)
DP-OTR75250-A	300	7.5	250
DP-OTR75350-A	400	7.5	350
DP-OTR75450-A	500	7.5	450
DP-OTR75550-A	600	7.5	550
DP-OTR75650-A	700	7.5	650
DP-OTR75750-A	800	7.5	750



Catalog Code	Panel Height (mm)	Rail Height (mm)	Rail Width (mm)
DP-OTR15250-A	300	15	250
DP-OTR15350-A	400	15	350
DP-OTR15450-A	500	15	450
DP-OTR15550-A	600	15	550
DP-OTR15650-A	700	15	650
DP-OTR15750-A	800	15	750



8X30 SLOT



Catalog Code	Panel Height (mm)	Rail Width (mm)
DP-DKMP30-A	300	250
DP-DKMP40-A	400	350
DP-DKMP50-A	500	450
DP-DKMP60-A	600	550
DP-DKMP70-A	700	650
DP-DKMP80-A	800	750
DP-DKMP100-A	1000	950
DP-DKMP120-A	1200	1150

ECONOMIC SOCKET MODULES

1U 19" 16A Illuminated on/off, Black Color PVC Body Economic Segment Energy Distribution Modules. CE Certified



ECONOMY SOCKET MODULES WITH PVC BODY

Product Code	Product Description	Width (w) (mm)	Depth (d) (mm)	Height (H) (mm)	Weight (Net) (kg)	Weight (Brut) (kg)
AA-PRZ01U19-5U-PS	5 LI GROUP SOCKET, 19" APPLICATED, PVC BODY, 2 M CABLE, UPS .	482,6(19")	44	44	0,6	0,7
AA-PRZ01U19-30-PS	3XDIN49440 Socket Schuko Power Stripe, 19" 1U, PVC BODY, 16A ON/OFF WITH ILLUMINATED KEY, 4000 WATT, 250V AC, 3X1.5MM2, 2,5M CABLE, DIN 49441 SOCKET, CE CERTIFICATE	482,6(19")	44	44	0,8	0,9
AA-PRZ01U19-60-PS	6XDIN49440 Socket Schuko Power Stripe, 19" 1U, PVC BODY, 16A ON/OFF WITH ILLUMINATED KEY, 4000 WATT, 250V AC, 3X1.5MM2, 2,5M CABLE, DIN 49441 SOCKET, CE CERTIFICATE	482,6(19")	44	44	-	-

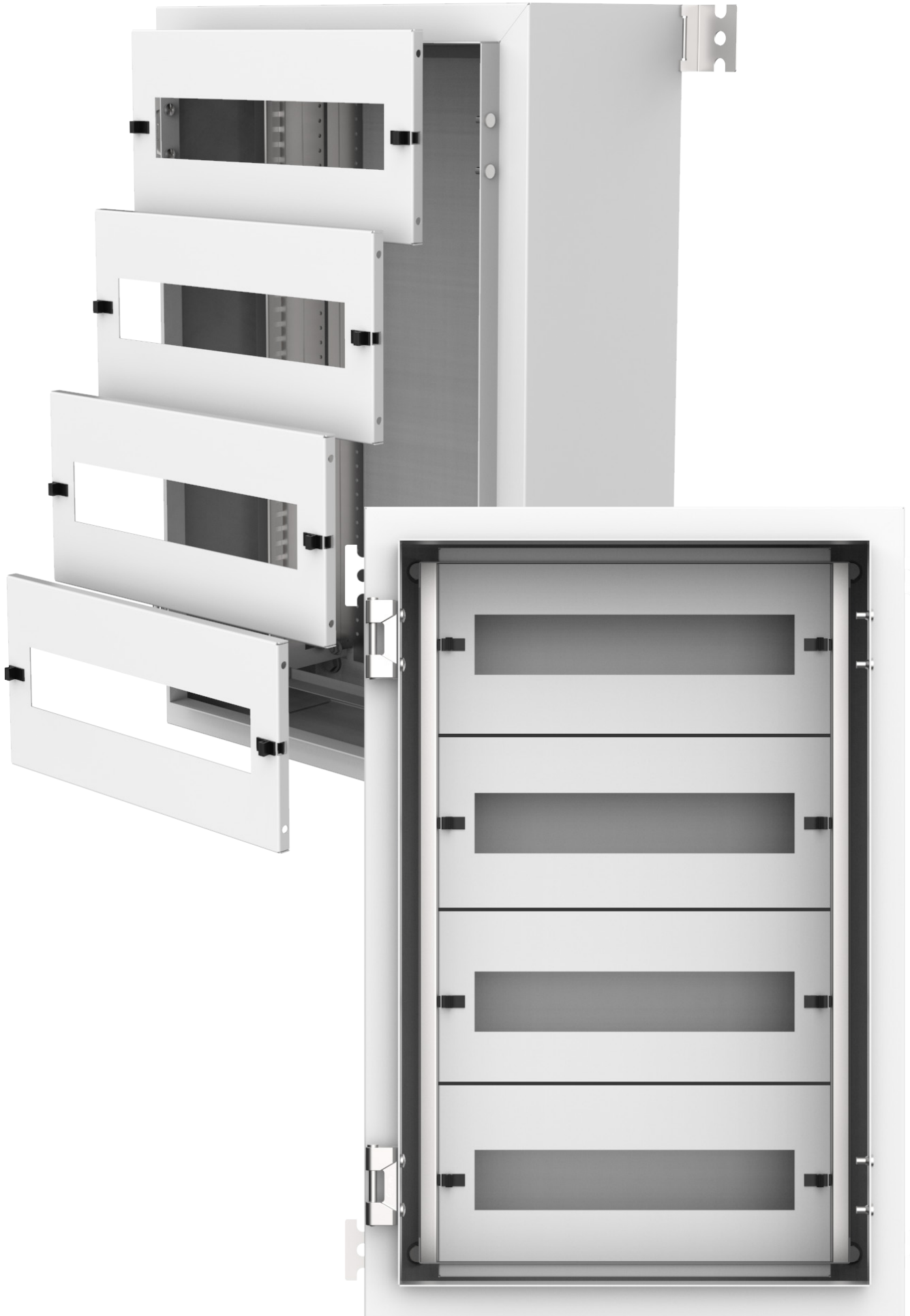
ALUMINUM SOCKET MODULES

Aluminium housing, different types and features, Power Distribution Stripes are CE Marked. DIN49440 Schuko types, IEC320 C13 Types, BS1363 Uk Socket Tpes, lighted on/off switched, 16A cct Breaker type, Surge Protection types are available. Assembly types horizontal. A wide accessory portfolio is available, possible to configurate special and spesific product models with different socket types and qty for projects.

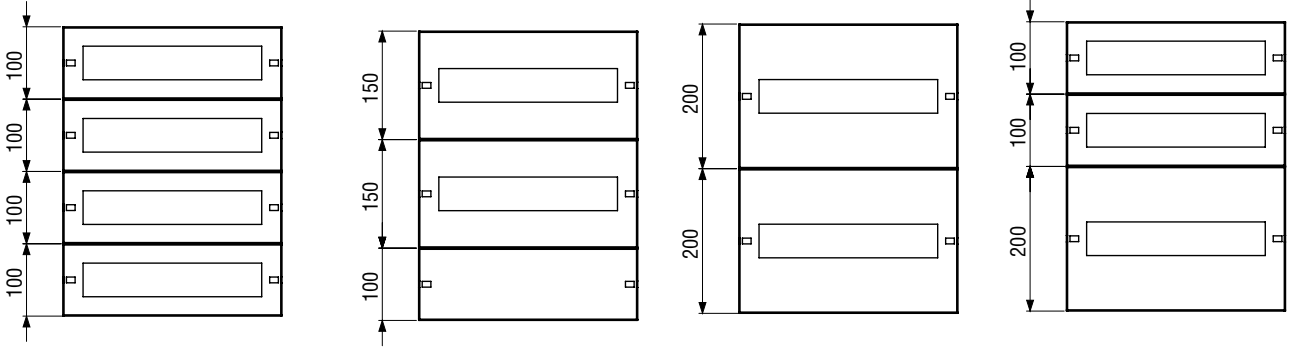


SOCKET MODULES WITH ALUMINUM BODY

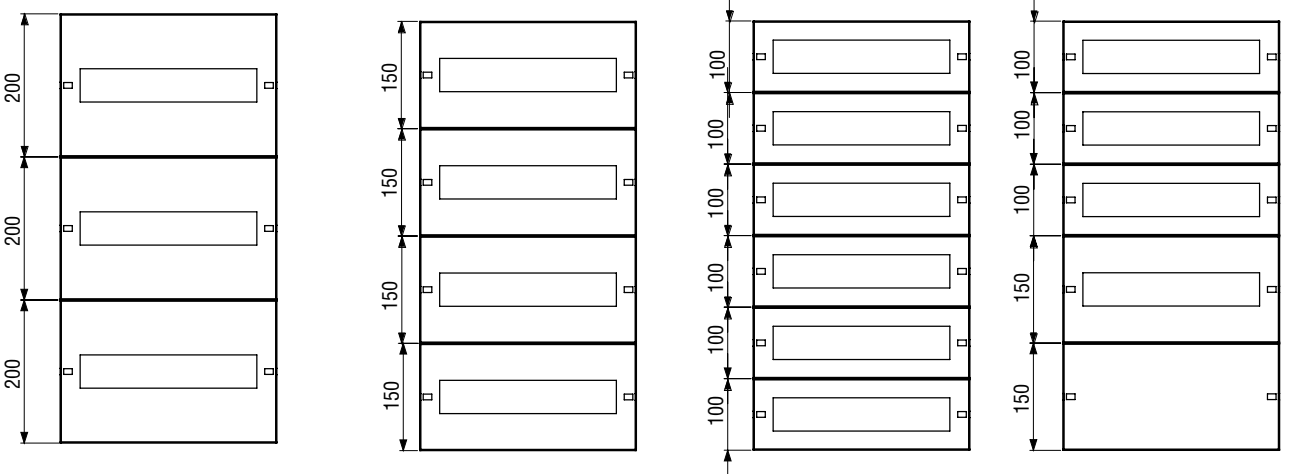
Product Code	Product Description	Width (w) (mm)	Depth (d) (mm)	Height (H) (mm)	Weight (Net) (kg)	Weight (Brut) (kg)
AA-PRZ01U19-6S-AL	6xDIN49440 Socket Schuko Power Stripe, 19" 1U, aluminium housing, 1x16A cct breaker, 4000 Watt, 250V AC, 3x1.5mm2, 2,5m cable, DIN 49441 plug, CE mark	482,6(19")	44	44	1	1,1
AA-PRZ02U19-9S-AL	9xDIN49440 Socket Power Stripe, 19" 2U aluminium housing, 1x16A cct breaker, 4000 Watt, 250V AC, 2,5m cable, DIN 49441 plug, CE mark.	482,6(19")	44	88	1,5	1,7



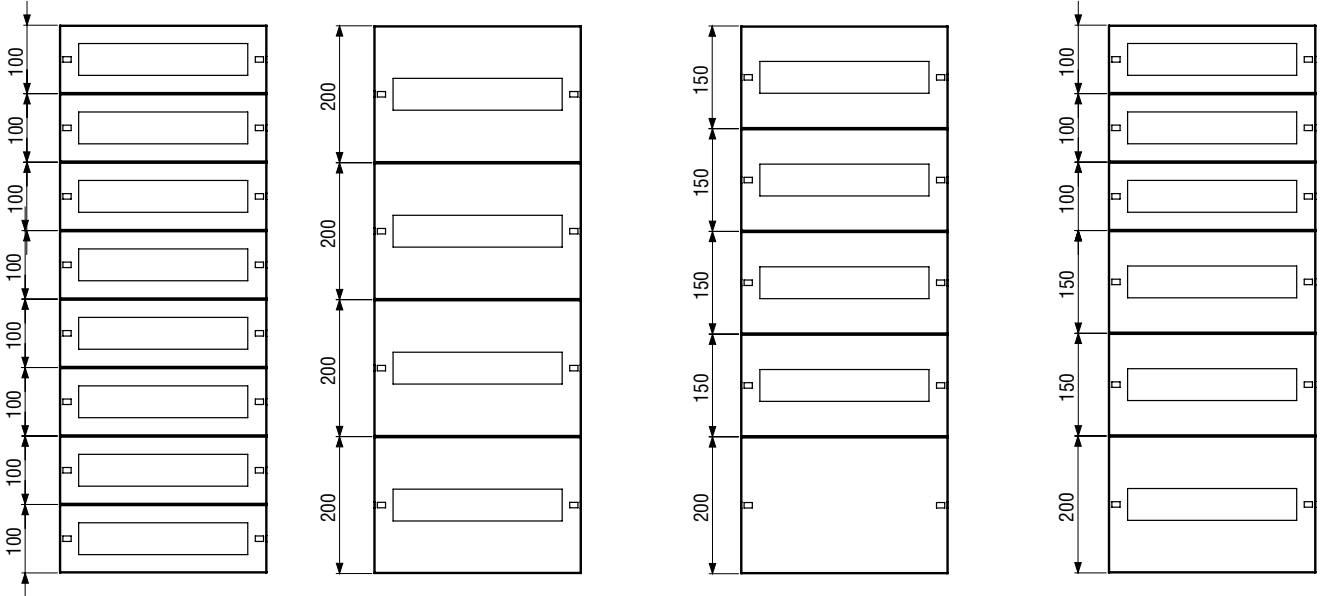
H= 400 mm



H= 600 mm



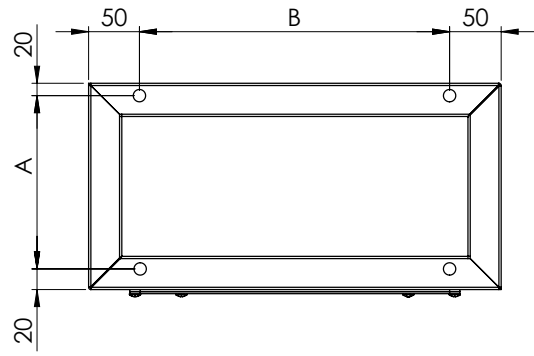
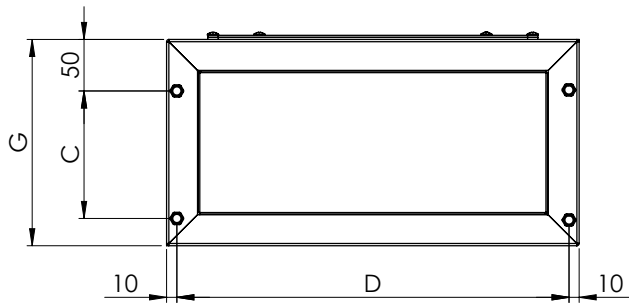
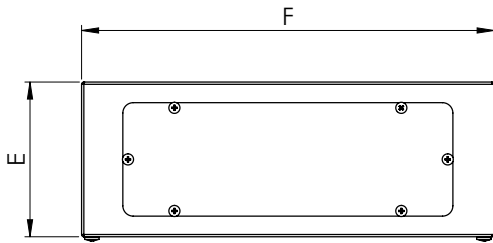
H= 800 mm



DP-OPS6080-A	Panel Height		Panel Configuration	
	Width	Height	Vending machine Capacity(pcs)	Panel type (W: Vending Type /K:Empty Panel)
DP-OPS3040-A	300	400	2X10	2 Pcs W(150mm) + 1 Pcs K(100mm)
DP-OPS3040-A	300	400	1X10	1 Pcs W(200mm) + 1Pcs K(200mm)
DP-OPS3040-A	300	400	2X10	2 Pcs W(200mm)
DP-OPS4060-A	400	600	4X16	4 Pcs W(150mm)
DP-OPS4060-A	400	600	3X16	3 Pcs W(150mm) + 1 Pcs K(150mm)
DP-OPS4060-A	400	600	2X16	2 Pcs W(200mm) + 1 Pcs K(200mm)
DP-OPS6080-A	600	800	4X27	4 Pcs W(150mm) + 1 Pcs K(200mm)
DP-OPS6080-A	600	800	4X27	4 Pcs W(200mm)
DP-OPS6080-A	600	800	3X27	3 Pcs W(200mm) + 1 Pcs K(200mm)



Catalog Code	Panel Dimensions		
	Width (mm)	Height (mm)	Depth (mm)
AA-VDI12U19-A	600	800	250
AA-VDI16U19-A	600 600	800 800	250 300
AA-VDI16U19-B	800	800	300



Catalog Code	Panel Dimensions			Plinth Dimensions			Panel Bottom Surface Drilling Dimensions		Kadie (concrete) drilling dimensions	
	Width (mm)	Height (mm)	Depth (mm)	Width (F) (mm)	Height (E) (mm)	Depth (G) (mm)	Width (D) (mm)	Depth (C) (mm)	Width (B) (mm)	Depth (A) (mm)
DP-BAZ-602530	600	800	300	600	250	300	580	175	500	240
	600	1000	300	600	250	300	580	175	500	240
	600	1200	300	600	250	300	580	175	500	240